

DS-2DF727A series



Key features

IR function:

- 0 Lux minimum illumination
- Up to 150m IR distance
- IR light MTBF reaching up to 30,000 hours

System function:

- High performance sensor, up to 1280x720 resolution
- $\pm 0.1^\circ$ Preset Accuracy
- ONVIF(Open Network Video Interface Forum), CGI(Common Gateway Interface), PSIA(Physical Security Interoperability Alliance), to ensure greater interoperability between different platforms and compatibility
- 3D intelligent positioning function
- Power-off memory function: restore PTZ & Lens status after reboot
- 3D intelligent positioning
- Scheduled PTZ movement
- 3D DNR
- IP66

Smart function:

- Smart tracking modes: support manual/ panorama/ intrusion trigger/ line crossing trigger / Region entrance trigger / Region exiting
- Smart detection: support face detection, intrusion detection, line crossing detection, audio exception detection, region entrance, region exiting
- Smart recording: support edge recording, support smart search in smart NVR
- Smart image processing: smart IR
- Smart codec: low bit rate, ROI

Camera function:

- Auto iris, auto focus, auto white balance, backlight compensation and auto day & night switch
- Support privacy mask with multiple colors and mosaics on polygonal areas

PTZ function:

- 360° endless pan range and -2°-90° tilt range (-10°-90° optional)
- 240°/s Pan Preset Speed and 200°/s Tilt Preset Speed
- 0.1°-160°/s Manual Pan Speed and 0.1°-120°/s Manual Tilt Speed
- **300 presets programmable; preset image freezing capability**
- 8 patrols, up to 32 presets per patrol
- 4 patterns, with the recording time not less than 10 minutes per pattern
- Proportional zoom function
- Park action: auto call up of PTZ movement, after a defined time of inactivity
- 7 alarm inputs and 2 alarm outputs optional

Network function:

- H.264/MJPEG/MPEG4 video compression and the latest Davinci processing chip and platform
- Support H.264 encoding with Baseline/Main/High profile
- ROI(Region of Interest) encoding(support 24 areas with adjustable levels)
- Built-in Web server
- **Micro SD/SDHC/SDXC card local storage**
- Support up to 8 NAS storage; Edge recording(transmit the videos from SD card to the NAS after network resumed)
- HTTPS encryption and IEEE 802.1X port-based network access control
- Support three-stream; Basic and advanced video configuration; Real time video at 960P or 720P
- Multiple network protocols supported: IPv4/IPv6, HTTP, HTTPS, 802.1X, QoS, FTP, SMTP, UPnP, SNMP, DNS, DDNS, NTP, RTSP, RTP, TCP, UDP, IGMP, ICMP, DHCP, PPPoE
- 1 audio input and 1 audio output

Application Scenarios

It can be widely applied to places with no lights or weak lights requiring wide-area and high-definition monitoring, such as rivers, forests, highways, railways, airports, ports, sentries, squares, parks, scenic sites, streets, stations, large venues, outside of residential areas, etc.

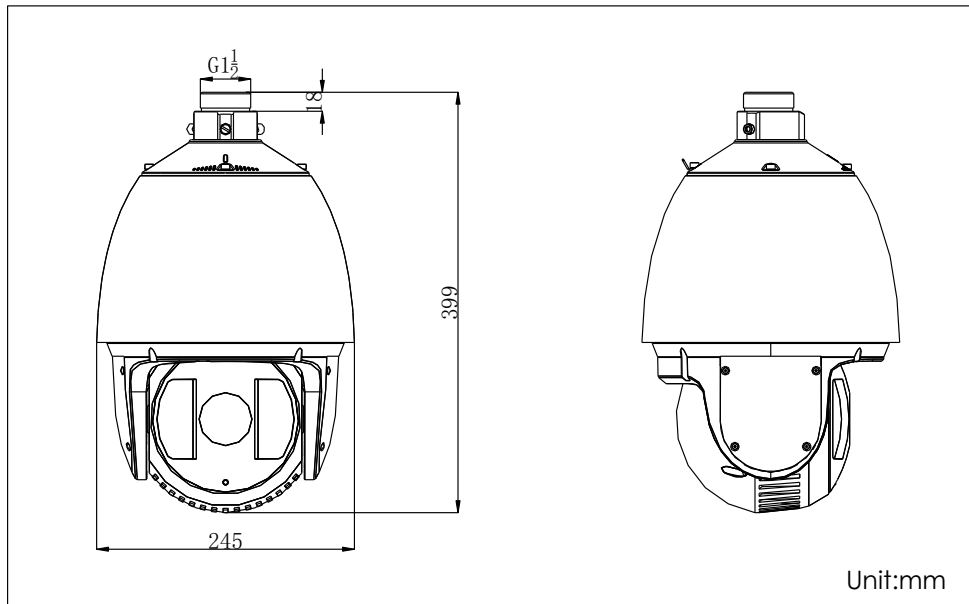
Specifications

Parameter		Model
		DS-2DF727A-A:24VAC, Outdoor DS-2DF727A-D:12VDC, Outdoor
		1 Megapixel Network IR High Speed Dome
Camera	Image Sensor	1/3" Type solid State Progressive Scan CCD
	Effective Pixel	1010K pixels
	Min. Illumination	Color: 0.1Lux@(F1.6, AGC On) B/W: 0.01Lux@(F1.6, AGC On) 0 Lux with IR
	White Balance	Auto / Manual
	AGC	Auto / Manual
	S / N Ratio	≥ 50dB
	3D DNR	Support
	BLC	Support
	WDR	Support
	Shutter Time	50Hz: 1/25-1/10,000s

		60Hz: 1/30-1/10,000s
	Day & Night	IR Cut Filter
	Digital Zoom	16X
	Privacy Mask	24 privacy masks programmable; optional multiple colors and mosaics
	Focus Mode	Auto / Semiautomatic / Manual
Lens	Focal Length	4.7-84.6mm, 18x
	Zoom Speed	Approx. 4.2s(Optical Wide-Tele)
	Angle of View	59.7-3.6 degree (Wide-Tele)
	Min. Working Distance	10-1,000mm(Wide-Tele)
	Aperture Range	F1.6 - F2.8
Pan and Tilt	Pan Range	360° endless
	Pan Speed	Pan Manual Speed: 0.1°-160°/s, Pan Preset Speed: 240°/s
	Tilt Range	-2°-90°(Auto Flip) -10°-90°(Auto Flip) optional
	Tilt Speed	Tilt Manual Speed: 0.1°-120°/s, Tilt Preset Speed: 200°/s
	Proportional Zoom	Rotation speed can be adjusted automatically according to zoom multiples
	Number of Preset	300
	Patrol	8 patrols, up to 32 presets per patrol
	Pattern	4 patterns, with the recording time not less than 10 minutes per pattern
	Power-off Memory	Support
	Park Action	Preset / Patrol / Pattern / Pan scan / Tilt scan / Random scan / Frame scan / Panorama scan
	PTZ Position Display	On / Off
	Preset Freezing	Support
	Scheduled Task	Auto scan / Frame scan / Random scan / Patrol / Pattern / Preset / Panorama scan / Tilt scan / Dome reboot / Dome adjust / Aux output
	Smart tracking	Manual/ Panorama/ Intrusion trigger/ Line crossing trigger / Region entrance trigger / Region exiting trigger
Infrared	IR distance	150m
	IR Intensity	Automatically adjusted, depending on the zoom ratio
Alarm	Alarm Input	7 alarm inputs optional
	Alarm Output	2 relay outputs, with configurable alarm linkage
	Alarm Trigger	Face detection, Intrusion detection, Line crossing detection, Region entrance, Region exiting, Motion detection, Audio Exception Detection, Dynamic analysis, Tampering alarm, Network disconnect, IP address conflict, Storage exception
	Alarm Action	Preset, Patrol, Pattern, SD/SDHC card recording, Relay output, Notification on Client
Input/ Output	Monitor Output	1.0V[p-p] / 75Ω, NTSC (or PAL) composite, BNC
	Audio Input	1 Mic in/Line in interface Line input: 2-2.4V[p-p]; output impedance: 1KΩ, ±10%
	Audio Output	1 Audio output interface Line level, impedance: 600Ω

Network	Ethernet	10Base-T / 100Base-TX, RJ45 connector
	Max. Image Resolution	1280×720
	Main Stream	50Hz: 25fps (1280×720) 60Hz: 30fps (1280×720)
	Sub Stream	50Hz:25fps(704×576), 25fps (352×288), 25fps (176×144) 60Hz:30fps(704×480), 30fps (352×240), 30fps (176×120)
	Third Stream	50Hz: 25fps (1280×720), 25fps(704×576), 25fps (352×288), 25fps (176×144) 60Hz: 30fps (1280×720), 30fps(704×480), 30fps (352×240), 30fps (176×120)
	Image Compression	H.264/MJPEG/MPEG4, H.264 encoding with Baseline/Main/High profile
	SVC	Support
	ROI encoding	Support 24 areas with adjustable levels
	Audio Compression	G.711ulaw/G.711alaw/G.726/MP2L2/G.722
	Protocols	IPv4/IPv6, HTTP, HTTPS, 802.1X, QoS, FTP, SMTP, UPnP, SNMP, DNS, DDNS, NTP, RTSP, RTP, TCP, UDP, IGMP, ICMP, DHCP, PPPoE
	Number of Simultaneous Live View	Up to 20
	Three Streams	Support
	Mini SD Memory Card	Manual REC / Alarm REC. Built-in Micro SD/SDHC/SDXC card Slot, up to 128GB Edge recording
	User/Host Level	Up to 32 users,3 Levels: Administrator, Operator and User
Security Measures	User authentication (ID and PW), Host authentication (MAC address) IP address filtering	
System Integration	Interface for application programming	Open-ended API, support ONVIF(Profile G), PSIA and CGI Support Genetec
	Client	iVMS-4200
	Web Browser	IE 7+, Chrome 18 +, Firefox 5.0 +, Safari 5.02 +, support multi-language
General	Menu Language	Chinese/English
	RS-485 Protocols	HIKVISION, Pelco-P, Pelco-D, self-adaptive
	Power	24VAC(only for –A model); 12VDC(only for –D model) Max. 50W
	Working Temperature / Humidity	-30 °C-65 °C (-22 °F -149 °F)(outdoor) 90% or less
	Protection Level	IP66 standard (outdoor dome) TVS 4,000V lightning protection, surge protection and voltage transient protection
	Mounting	Various mounting modes optional
	Dimensions	Φ245×399mm (Φ9.65"×15.71")(Outdoor)
	Weight (approx.)	6Kg (13.22 lbs)
	Mount Option (only suitable for outdoor dome)	Long-arm wall mount: DS-1602ZJ;Corner mount: DS-1602ZJ-corner; Pole Mount: DS-1602ZJ-pole; Power box mount:DS-1602ZJ-box

Dimensions



Order models

- DS-2DF727A-A, AC24V, outdoor
- DS-2DF727A-D, DC12V, outdoor

Accessories



DS-1602ZJ Long-arm Wall Mount Bracket