

DS-7200HUHI-F1/S SERIES TURBO HD DVR



Features and Functions

Video Input and Transmission

- Self-adaptive Turbo HD/AHD/CVBS signal input
- Up to 2-ch 4 MP IP cameras input
- 5 MP/4 MP Turbo HD video input and live view
- 20 fps in live view for the 5 MP20 signal input, and real-time frame rate in live view for the 4 MP25 and 4 MP30 signal inputs
- Defogging function enabled for the supported analog cameras
- Long distance transmission over UTP and coaxial cable: max. 800m for 1080p and 1200m for 720p Turbo HD signal

Compression and Recording

- One-key enable H.264+ compression to improve encoding efficiency by up to 50% and reduce data storage costs
- Full channel recording at up to 5 MP resolution

Video Output

- Simultaneous HDMI/VGA output
- HDMI output at up to 4K (3840 × 2160) resolution (DS-7208HUHI-F1/S)
- Independent CVBS output improves compatibility at the most possibility and serves as the aux output or live view output only

Storage and Playback

- One SATA interface (up to 6 TB capacity per HDD)
- 4/8-ch synchronous playback
- Smart search for efficient playback
- Supports the 3rd party cloud storage (Dropbox/Google Drive/Microsoft OneDrive)

Smart Function

- Supports multiple VCA (Video Content Analytics) events for both analog and smart IP cameras
- Supports line crossing detection and intrusion detection of all channels
- VCA information overlay in live view and smart playback
- VQD (Video Quality Diagnostics)
- Supports PTZ control via Omnicast VMS of Genetec protocol

Network & Ethernet Access

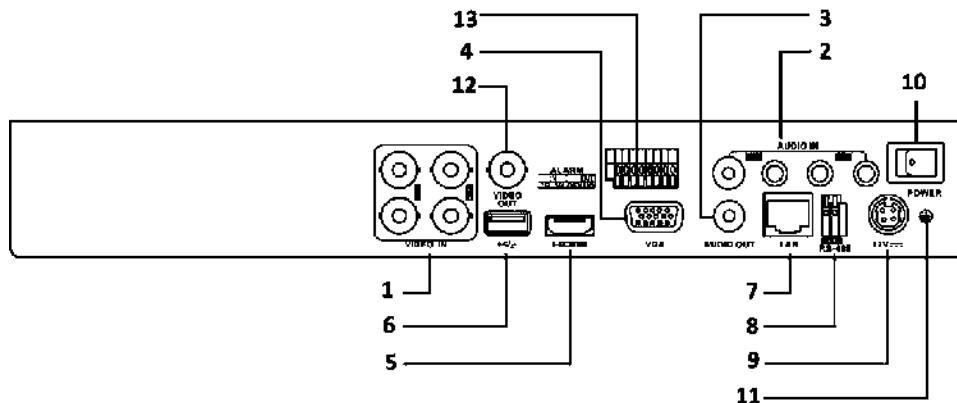
- Hik Cloud P2P & DDNS (Dynamic Domain Name System) for easy network management
- One gigabit Ethernet network interface (for DS-7208HUHI-F1/S)
- Output bandwidth limit configurable



Specifications

| Model | | DS-7204HUHI-F1/S | DS-7208HUHI-F1/S |
|----------------------|---------------------------|--|---|
| Video/Audio input | Video compression | H.264+/H.264 | |
| | Analog video input | 4-ch | 8-ch |
| | Turbo HD input | BNC interface (1.0 Vp-p, 75 Ω), supporting coaxitron connection | |
| | AHD input | 5 MP20, 5 MP12, 4 MP25, 4 MP30, 3 MP18, 1080p30, 1080p25, 720p60, 720p50, 720p30, 720p25, NTSC, PAL | |
| | CVBS input | Support | |
| | IP video input | 2-ch | Up to 4 MP resolution |
| | Audio compression | G.711u | |
| | Audio input | 4-ch, RCA (2.0 Vp-p, 1 KΩ) | |
| Video/Audio output | CVBS output | 1-ch, BNC (1.0 Vp-p, 75 Ω), resolution: PAL: 704 × 576, NTSC: 704 × 480 | |
| | HDMI/VGA output | 1-ch, 1920 × 1080/60Hz, 1280 × 1024/60Hz, 1280 × 720/60Hz, 1024 × 768/60Hz | VGA: 1-ch, 1920 × 1080/60Hz, 1280 × 1024/60Hz, 1280 × 720/60Hz, 1024 × 768/60Hz HDMI: 1-ch, 4K (3840 × 2160)/30Hz, 2K (2560 × 1440)/60Hz, 1920 × 1080/60Hz, 1280 × 1024/60Hz, 1280 × 720/60Hz, 1024 × 768/60Hz |
| | Encoding resolution | 5 MP/4 MP/3 MP/1080p/720p/WD1/4CIF/VGA/CIF | |
| | Frame rate | Main stream: 5 MP@10fps/4 MP@15fps/3 MP@15fps 1080p/720p/WD1/4CIF/VGA/CIF@25fps (P)/30fps (N) Sub-stream: WD1/4CIF@12fps; CIF/QVGA/QCIF@25fps (P)/30fps (N) | |
| | Video bit rate | 32 Kbps to 10 Mbps | |
| | Audio output | 1-ch, RCA (Linear, 1 KΩ) | |
| | Audio bit rate | 64 Kbps | |
| | Dual stream | Support | |
| | Stream type | Video, Video & Audio | |
| | Synchronous playback | 4-ch | 8-ch |
| | Network management | Remote connections | 128 |
| Network protocols | | TCP/IP, PPPoE, DHCP, Hik Cloud P2P, DNS, DDNS, NTP, SADP, NFS, iSCSI, UPnP™, HTTPS, ONVIF | |
| Hard disk | SATA | 1 SATA interface | |
| | Capacity | Up to 6 TB capacity for each disk | |
| External interface | Two-way audio input | 1-ch, RCA (2.0 Vp-p, 1 KΩ) (using the 1 st audio input) | |
| | Network interface | 1, RJ45 10M/100M self-adaptive Ethernet interface | 1, RJ45 10M/100M/1000M self-adaptive Ethernet interface |
| | USB interface | 2 × USB 2.0 | Front panel: 1 × USB 2.0 Rear panel: 1 × USB 3.0 |
| | Serial interface | RS-485 (half-duplex) | |
| | Alarm in/out | 4/1 | 8/4 |
| General | Power supply | 12 VDC | |
| | Consumption (without HDD) | ≤ 15 W | ≤ 20 W |
| | Working temperature | -10 °C to +55 °C (14 °F to 131 °F) | |
| | Working humidity | 10% to 90% | |
| | Dimensions (W × D × H) | 315 × 242 × 45 mm (12.4 × 9.5 × 1.8 inch) | |
| Weight (without HDD) | ≤ 1.5 kg (3.3 lb) | ≤ 2 kg (4.4 lb) | |

Physical Interfaces



The rear panel of DS-7208HUHI-F1/S provides 8 video input interfaces.

| Index | Description | Index | Description |
|-------|--------------------------|-------|-------------------------|
| 1 | VIDEO IN | 8 | RS-485 Serial Interface |
| 2 | AUDIO IN, RCA Connector | 9 | 12 VDC Power Input |
| 3 | AUDIO OUT, RCA Connector | 10 | Power Switch |
| 4 | VGA Interface | 11 | GND |
| 5 | HDMI Interface | 12 | VIDEO OUT |
| 6 | USB Interface | 13 | Alarm In/Out |
| 7 | LAN Network Interface | | |

Available Models

DS-7204HUHI-F1/S, DS-7208HUHI-F1/S

Distributed by



HIKVISION

Headquarters

No.555 Qianmo Road, Binjiang District,
Hangzhou 310051, China
T +86-571-8807-5998
overseasbusiness@hikvision.com

Hikvision USA
T +1-909-895-0400
sales.usa@hikvision.com

Hikvision Italy
T +39-0438-6902
info.it@hikvision.com

Hikvision Singapore
T +65-6684-4718
sg@hikvision.com

Hikvision Africa
T +27 (10) 0351172
sale.africa@hikvision.com

Hikvision Europe
T +31-23-55-42-770
info.eu@hikvision.com

Hikvision France
T +33(0)1-85-330-450
info.fr@hikvision.com

Hikvision Oceania
T +61-2-8599-4233
salesau@hikvision.com

Hikvision Hong Kong
T +852-2151-1761

Hikvision Middle East
T +971-4-8816086
salesme@hikvision.com

Hikvision Spain
T +34-91-737-16-55
info.es@hikvision.com

Hikvision Canada
T +1-909-895-0400
sales.usa@hikvision.com

Hikvision Russia
T +7-495-669-67-99
saleru@hikvision.com

Hikvision Poland
T +48-22-460-01-50
poland@hikvision.com

Hikvision Korea
T +82-31-731-8841
sales.korea@hikvision.com

Hikvision India
T +91-22-28469900
sales@pramahikvision.com

Hikvision UK
T +01628-902140
support.uk@hikvision.com

Hikvision Brazil
T +55 11 3318-0050
Latam.support@hikvision.com