

DS-M5504HMI Series Mobile DVR



Features and Functions

- User-friendly GUI providing easy and flexible operations;
- Pluggable 4G (FDD-LTE), 3G (WCDMA) and Wi-Fi module providing flexible data transmission solutions;
- pluggable GPS (Global Position System) module precisely positioning the vehicle via the satellite and recording the location information in the stream;
- 4 analog channels of audio & video inputs connectable; each channel supporting up to WD1 resolution with H.264 encoding technology;
- one 2.5-inch HDD/SSD and one SD card pluggable, adopting hard disk vibration damping technology;
- Backup recording on SD card when the HDD/SSD is broken;
- Information collection interfaces collecting driving information such as left/right turn, braking, rolling back, etc.;
- Left/right mirror type of the image configurable;
- Software-based firewall supported;
- Support accessing via WEB browser;
- Wide-range power input (9 to 32 VDC);
- Ignition startup and delay (0 to 6h) shutdown;
- Power-off protection avoiding key data from loss;
- Standard 1DIN dimensions;
- Tensile aluminum chassis of good heat dissipation performance with no fan design which well adapts to working environment;
- Hard disk box with USB interface supporting intelligent temperature control and data export;
- Specialized aviation connectors ensuring signal stability.

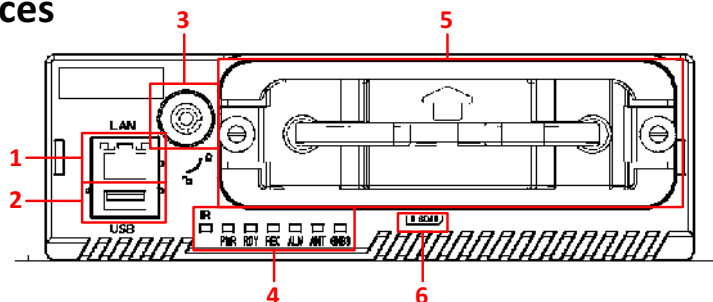


Specifications

Model		DS-M5504HMI Series
Video/Audio input	Analog video input	4-ch. Aviation plug (1.0 Vp-p, 75 Ω), PAL / NTSC self-adaptive
	Audio input	4-ch. Aviation plug (linear level, 1kΩ)
Video/Audio output	VGA output	1-ch. Resolution: 1920×1080, 1280×1024, 1280×720, 1024×768
	CVBS output	1-ch. Aviation plug (1.0 Vp-p, 75 Ω); resolution: PAL: 704 × 576, NTSC: 704 × 480
	Audio output	1-ch. Aviation plug (linear level, 600 Ω)
Encoding/Decoding parameters	Video compression	H.264
	Encoding resolution	Main stream: WD1 / 4CIF / 2CIF / CIF; Sub-stream: CIF / QCIF
	Frame rate	25 fps (PAL)/30 (NTSC)
	Video bitrate	32Kbps to 2Mbps; custom (Max.: 4Mbps)
	Audio compression	G.711
	Audio bitrate	16Kbps
	Stream type	Video, Video & Audio
Hard disk	Dual stream	Supported
	Type	One 2.5-inch SATA HDD/SSD
	Capacity	Up to 1TB capacity supported
	Installation	Pluggable
	Protection	3-generation hard disk box
Wireless Network	Backup	USB interfaces on hard disk box and device front panel supporting data backup
	4G	FDD-LTE (for DS-M5504HMI/GLF/WI)
	3G	WCDMA (for DS-M5504HMI/GW and DS-M5504HMI/GW/WI)
Positioning	Wi-Fi	802.11 b/g/n supported, 2.4GHz (for DS-M5504HMI/GW/WI and DS-M5504HMI/GLF/WI)
	GNSS	GPS
External interface	Two-way audio	1-ch, G.722
	Alarm input	3-ch high/low level signal inputs
	Alarm output	2-ch signal outputs
	Sensor in	4 high/low level signal inputs; 1 pulse signal input (reserved)
	Network interface	1; RJ45; 10M/100M self-adaptive Ethernet interface
	Antenna interface	SMA interfaces on pluggable module including one for 3G/4G, one for Wi-Fi and one for GPS
	Serial interface	1 RS-232, 1 RS-422
	USB interface	1 USB2.0 interface on the front panel; 1 USB 5-pin aviation plug on the rear panel.
	SIM card	1, standard SIM card slot
	SD card	1, standard SD card slot
General	Operating system	Linux
	Operating method	Mouse, IR remote control and Web control
	Power supply	9 to 32 VDC
	Consumption	Standby: Max. 0.5W; Full load: Max.20W (without 7-inch screen)
	Working temperature	-10 °C to +55 °C (+14 °F to +131 °F)
	Working humidity	10% to 90%
	Dimensions (W×D×H)	178 mm × 170 mm × 50 mm (7.0" × 6.7" × 2.0")
Weight	≤ 1.6 kg (3.53 lb) (without hard disk or SD card)	

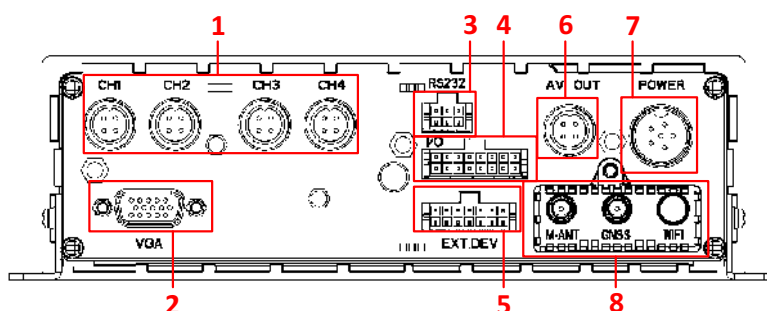
Physical Interfaces

Front Panel



Index	Description	Index	Description
1	LAN Network Interface	4	Indicators
2	USB Interface	5	Hard Disk Box
3	Hard Disk Lock	6	SD Card Slot

Rear Panel



Index	Description	Index	Description
1	Audio & Video Input	5	EXT.DEV (including audio output, two-way audio and RS-422)
2	VGA Interface	6	Audio & Video Output
3	RS-232 Interface	7	Power Supply
4	I/O (including alarm in, alarm out and sensor in)	8	Pluggable Module (including 3G/4G, Wi-Fi and GPS)

Distributed by

Available Models

DS-M5504HMI,
DS-M5504HMI/GW,
DS-M5504HMI/GW/WI,
DS-M5504HMI/GLF/WI

Headquarters

No.555 Qianmo Road, Binjiang District,
Hangzhou 310051, China
T +86-571-8807-5998
overseasbusiness@hikvision.com

Hikvision USA
T +1-909-895-0400
sales.usa@hikvision.com

Hikvision Italy
T +39-0438-6902
info.it@hikvision.com

Hikvision Singapore
T +65-6684-4718
sg@hikvision.com

Hikvision Europe
T +31-23-5542770
saleseuro@hikvision.com

Hikvision France
T +33(0)1-85-330-444
info.fr@hikvision.com

Hikvision Oceania
T +61-2-8599-4233
salesau@hikvision.com

Hikvision Middle East
T +971-4-8816086
salesme@hikvision.com

Hikvision Spain
T +34-91-737-16-55
info.es@hikvision.com

Hikvision Hong Kong
T +852-2151-1761

Hikvision Russia
T +7-495-669-67-99
saleru@hikvision.com

Hikvision Poland
T +48-22-460-01-50
poland@hikvision.com

Hikvision Canada
T +1-909-895-0400
sales.usa@hikvision.com

Hikvision India
T +91-22-28469900
sales@pramahikvision.com

Hikvision UK
T +44-1628-9021-4
support.uk@hikvision.com