

# JVC®

The Perfect Experience

## PTZ NETWORK DOME CAMERA VN-V685U/V686BU OUTDOOR PTZ NETWORK DOME CAMERA VN-V686WPBU

Dual Stream Network Cameras with 36x/27x Optical Zoom and Accurate Direct Drive Motor Mechanism

VN-V686WPBU

### NETWORKS

**+** 36x/27x  
Zoom

**Direct**  
Drive Motor

Full-Frame  
**DUAL**  
STREAM

IR Cut filter  
**Day | Night**

**PoE**  
Power over Ethernet

#### ■ Direct Drive Motor for Extra Precision and Silence

- Super Accurate Positioning ( $\pm 0.03^\circ$  precision)
- Super Fast & Super Slow Pan/Tilt (400°/sec to 0.04°/sec variable)
- Super Silent Operation (Ideal for hospitals, libraries, and museums)

#### ■ Day/Night Function with IR Cut Filter

Automatic switching between day and night modes for reliable round-the-clock surveillance

#### ■ Effective Backlight Compensation

Easy Wide-D Function provides clear images even in backlit situations

#### ■ Progressive Output Capability

Can output clear, smooth images without jaggy even for moving objects

#### ■ MPEG-4/Motion JPEG Full-Frame Dual Stream

Simultaneous distribution of MPEG-4 and Motion JPEG VGA images at full frame rate (30fps for each stream)

#### ■ Super LoLux™ Sensitivity

0.04 lx at B&W mode (25 % video level, F1.6, AGC SUPER)  
0.5 lx at color mode (25 % video level, F1.6, AGC SUPER)

#### ■ PoE for Saving Installation and Cable Costs

Built-in PoE (Power over Ethernet) allows the camera to be activated through a LAN cable connection.

#### ■ Quick and Easy Installation

One-touch lock mechanism for quick and easy installation and maintenance

#### ■ Dust- and Waterproof Design (VN-V686WPBU)

P66-standard robust design suitable for outdoor monitoring system

# All the Precision and Quality to Capture the Crucial Moment

JVC's new Network Camera offers a Direct Drive Motor and Full-Frame Dual Stream Capability for an Advanced Monitoring System with Maximum Reliability and Versatility.



- 36x/27x Optical Zoom
  - 0.03° Super Accuracy
  - MPEG-4 Motion JPEG Dual Stream
  - Fast/Slow Variable Pan Tilt Speed
  - Silent Operation
  - 0.04lx\* Super LoLux™
  - Easy Installation
- \* at B&W mode

## VN-V685U/VN-V686BU

### Internal Dome Design

Normally recessed into a false ceiling to provide minimal intrusion in any indoor location. Or, when surface-mounted the sleek design will let it blend into a variety of environments for inconspicuously effective surveillance.

Indoor Model



## VN-V686WPBU

### External Dome Design

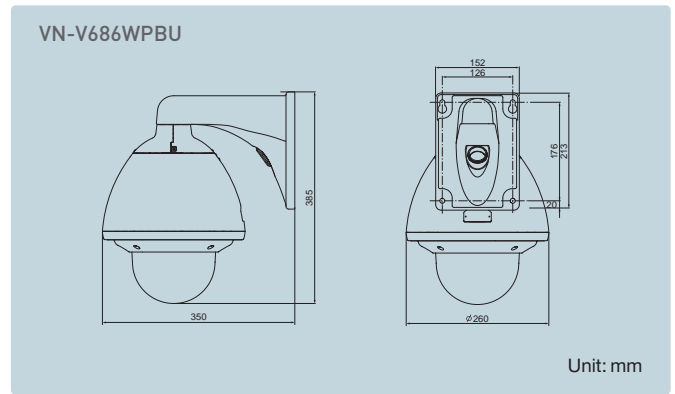
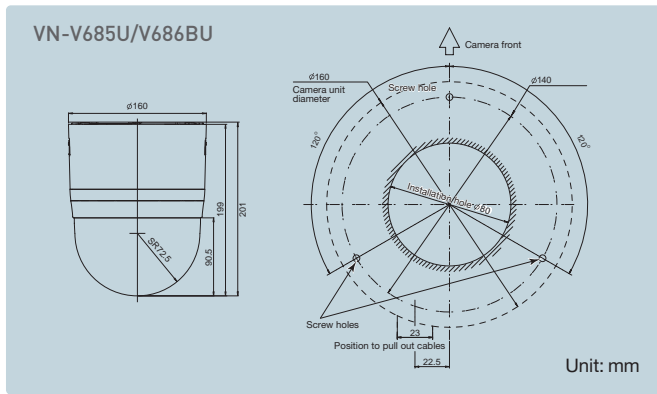
Made to IP66 standards, the housing provides complete protection from the elements but still provides crisp, clear images of its surroundings. Materials used will provide long-lasting service over years of harsh weather conditions.

Outdoor Model

### Quick Comparison

	VN-V686BU	VN-V685U	VN-V686WPBU
Type	Indoor	Indoor	Outdoor
PoE	•	•	•
Zoom Ratio	36x Optical	27x Optical	36x Optical
Direct Drive Motor	•	•	•
Dust & Waterproof			•

## ● Dimensions



## ● Specifications

		VN-V685U	VN-V686BU	VN-V686WPBU
<b>Image device</b>		1/4" IT CCD		
<b>Lens</b>	<b>Zoom ratio</b>	27x optical and 32x digital	36x optical and 32x digital	
	<b>Focal length</b>	f=3.43mm to f=92.6mm	f=3.43mm to f=122mm	
	<b>Max. aperture ratio</b>	F1.6 (WIDE) to F3.5 (TELE)	F1.6 (WIDE) to F4.5 (TELE)	
	<b>Max. close-range</b>	Approx. 1.8m (TELE), Approx. 0.6m (WIDE)		
	<b>Focus</b>	Manual/Easy AF/One push AF		
<b>Day/Night</b>		Automatic Day/Night IR cut filter		
<b>Minimum illumination</b>	<b>Color</b>	1.0 lx (50%, AGC SUPER)		
	<b>B&amp;W</b>	0.08 lx (50%, AGC SUPER) 0.04 lx (25%, AGC SUPER)		
<b>Pan/Tilt range</b>		Pan: 360° endless / Tilt: -5° to 185°		
<b>Pan/Tilt speed</b>		0.04° to 400°/sec		
<b>Picture compression</b>		Motion JPEG		
<b>Picture resolutions</b>		MPEG-4: Part2 (ISO/IEC 14496-2), Profile: SP 640x480, 320x240		
<b>Frame rate and streaming</b>		Up to 30 fps per each stream of Motion JPEG and MPEG-4 in 640x480 resolution simultaneously (Full frame dual stream)		
<b>Compression levels</b>		JPEG: Variable (VFS) 7 levels / Average (AFS) VGA (10KB - 100KB), QVGA (3KB - 33KB) MPEG-4: Constant (CBR) / Variable (VBR), Bit rate adjustable 64kbps - 8000kbps		
<b>Image settings</b>		Configurable AGC, Sens-up, Day/Night, Shutter speed, BLC, ALC, White balance (ATW/AWC), Gamma curve, Black level, Enhance range, Color level, Exposure value, Noise reduction, Monitor type, Privacy mask (8 areas), Image stabilizer		
<b>PTZ function</b>		100 preset positions, Auto flip, Auto pan, Auto trace, Auto patrol, Auto return, Motion detect, Auto tracking		
<b>Shutter speed</b>		2.1sec (Sens-up) to 1/10000 sec		
<b>Security</b>		3 levels password, IP address filtering, HTTPS encryption (for setting)		
<b>Max. clients</b>		20 simultaneous users, Unlimited users by multicast		
<b>Alarm/Event management</b>		Trigger: Built-in motion detection, External alarm input x 2 or Schedule Event: Pre/post recording, FTP sending, Notification over TCP/UDP, E-mail, External output x 2, Periodic FTP and Preset position, Pre/Post alarm buffer of 8MB		
<b>Connectors</b>		RJ-45 for Ethernet 10Base-T/100Base-TX Terminal block for 2 alarm input, 2 output Alternative power connection		
<b>Dust and water protection</b>		-		IP66
<b>Power</b>		24 VAC (50Hz/60Hz), 1.2A 48 VDC (PoE, IEEE802.3af class0), 12.95W		24 VAC (50Hz/60Hz), 2.2A (With heater) 48 VDC (PoE, IEEE802.3af class0), 12.95W (Without heater)
<b>Operating temperature</b>		-10°C to 50°C / 14°F to 122°F (0°C to 40°C / 32°F to 104°F recommended)		-40°C to 50°C / 14°F to 122°F, always power on (0°C to 40°C / 32°F to 104°F recommended)
<b>Installation and maintenance</b>		Web based setting tool, Camera search tool, Firmware update over HTTP		
<b>Recommended operating environment</b>		OS: Windows Vista Business (SP1), Windows XP Pro (SP2)/Home (SP2) CPU: Pentium4 2GHz, Memory: 1GB, HDD space: 512MB Display and video card: 1024x768 True color (24bit or 32 bit), VRAM 8MB Browser: IE7.0 for Windows Vista, IE6.0 for Windows XP		
<b>System integration support</b>		Open API for application integration, ActiveX Viewer, QoS, Embedded Linux operating system		
<b>Supported protocols</b>		TCP/IP, UDP/IP, HTTP, FTP, ICMP, ARP, RTP, DHCP, SNMP, SMTP, DSCP, IGMP, IPv6, VSIP		
<b>Video management software/hardware (Not included)</b>		VR-N900U/1600U/1600E: JVC Network video recorder for viewing, recording and archiving up to 9/16 cameras VN-RS800U: JVC free video management software for viewing, recording and archiving up to 32 cameras (JPEG stream only)		
<b>Dimensions (WxHxD)</b>		ø160mm x 201mm (H)		ø260mm (incl. housing) x 385mm (H: incl. bracket) x 350 (D: incl. bracket)
<b>Weight</b>		1.9kg (4.2lbs)		5.5kg (12.2lbs)

## ● Optional Accessories

### For VN-V685U/V686BU

- WB-S682U Wall mount
- WB-S681U Pendant mount pole



- WB-S685U Ceiling recessed bracket



### For VN-V686WPBU

- WB-S684U Outdoor pendant mount pole



Note: For more information on optional brackets, please consult your local JVC dealer.

Copyright © 2008, Victor Company of Japan, Limited. All Rights Reserved.

# JVC®