

# EDS-P506E-4PoE Series

**4+2G-port Gigabit PoE+ managed Ethernet switches with 4 IEEE 802.3af/at PoE+ ports**



- > Built-in 4 PoE+ ports support up to 60 W output per port
- > Wide range 12/24/48 VDC power inputs for flexible deployment
- > Smart PoE functions for remote PD diagnosis and failure recovery
- > 2 Gigabit combo ports for high-bandwidth communication
- > Supports MXstudio for easy, visualized industrial network management



## Introduction

The Moxa EDS-P506E-4PoE Series are Gigabit managed PoE+ Ethernet switches that come standard with 4 10/100BaseT(X), 802.3af (PoE), and 802.3at (PoE+)-compliant Ethernet ports, and 2 combo Gigabit Ethernet ports. The EDS-P506E-4PoE Ethernet switches provide up to 30 watts of power per PoE+ port in standard mode and allow a high power output of up to 4-pair 60W for industrial heavy-duty PoE devices, such as weather-proof IP surveillance cameras with wipers/heaters, high-performance wireless access points, and rugged IP phones. The EDS-P506E-4PoE Ethernet switches are highly versatile,

and the SFP fiber ports can transmit data up to 120 km from the device to the control center with high EMI immunity. The Ethernet switches support a variety of management functions, including STP/RSTP, Turbo Ring, Turbo Chain, PoE power management, PoE device auto-checking, PoE power scheduling, PoE diagnostic, IGMP, VLAN, QoS, RMON, bandwidth management, and port mirroring. The EDS-P506E-4PoE series is designed especially for harsh outdoor applications with 4 kV surge protection to ensure uninterrupted reliability of PoE systems.

## Features and Benefits

- Supports different PoE output settings (High power 36 W and 60 W, Force and Legacy modes) to maximize powered device compatibility
- Supports Smart PoE functions (PoE diagnosis, PD failure check, PoE scheduling, PoE Event Warning) to enhance PoE operational efficiency
- Command Line Interface (CLI) for quickly configuring major managed functions
- Supports EtherNet/IP, PROFINET, and Modbus/TCP protocols for device management and monitoring
- Supports V-ON™ to ensure millisecond-level Layer2/Layer3 network recovery
- Turbo Ring and Turbo Chain (recovery time < 20 ms @ 250 switches), RSTP/STP, and MSTP for network redundancy
- IGMP snooping and GMRP for filtering multicast traffic
- Port-based VLAN, IEEE 802.1Q VLAN, and GVRP to ease network planning
- QoS (IEEE 802.1p/1Q) and TOS/DiffServ to increase determinism
- Port Trunking for optimum bandwidth utilization
- RADIUS, TACACS+, MAB Authentication, SNMPv3, IEEE 802.1x, MAC ACL, HTTPS, SSH, and sticky MAC-address to enhance network security
- SNMPv1/v2c/v3 for different levels of network management
- Fiber Check™ provides a comprehensive fiber Digital Diagnostic Monitoring (DDM) function and event warning on SFP fiber ports
- Bandwidth management to prevent unpredictable network status
- Port mirroring for online debugging
- Automatic warning by exception through e-mail, relay output
- ABC-02-USB (Automatic Backup Configurator) for system configuration backup/restore and firmware upgrade

## Specifications

### Technology

#### Standards:

- IEEE 802.3af/at for Power-over-Ethernet
- IEEE 802.3 for 10BaseT
- IEEE 802.3u for 100BaseT(X) and 100BaseFX
- IEEE 802.3ab for 1000BaseT(X)
- IEEE 802.3z for 1000BaseX
- IEEE 802.3x for Flow Control
- IEEE 802.1D-2004 for Spanning Tree Protocol
- IEEE 802.1w for Rapid STP
- IEEE 802.1s for Multiple Spanning Tree Protocol
- IEEE 802.1Q for VLAN Tagging
- IEEE 802.1p for Class of Service

- IEEE 802.1X for Authentication
- IEEE 802.3ad for Port Trunk with LACP

### Software Features

- Management:** IPv4/IPv6, SNMP v1/v2c/v3, LLDP, Port Mirror, DDM, RMON, DHCP Server/Client, DHCP Option 66/67/82, BootP, TFTP, SMTP, RARP, Telnet, Syslog, SNMP Inform, Flow Control, Back Pressure Flow Control
- Filter:** 802.1Q VLAN, Port-Based VLAN, GVRP, IGMP v1/v2/v3, GMRP
- Redundancy Protocols:** STP, RSTP, MSTP, Turbo Ring v1/v2, Turbo Chain, Link Aggregation, V-ON
- Security:** RADIUS, TACACS+, MAB Authentication, HTTPS, SSL, SSH, Broadcast Storm Protection, Port Lock, MAC ACL, MAC Sticky, NTP Authentication, SMTP with TLS

**Time Management:** SNTP, NTP Server/Client, IEEE 1588v2 PTP (software-based)

**Industrial Protocols:** EtherNet/IP, Modbus/TCP, PROFINET IO

**MIB:** MIB-II, Ethernet-Like MIB, P-BRIDGE MIB, Q-BRIDGE MIB, Bridge MIB, RSTP MIB, RMON MIB Group 1, 2, 3, 9

**Switch Properties**

**Priority Queues:** 4

**Max. Number of VLANs:** 4096

**VLAN ID Range:** VID 1 to 4094

**IGMP Groups:** 256

**MAC Table Size:** 16 K

**Packet Buffer Size:** 12 Mbits

**Interface**

**RJ45 Ports:** 10/100BaseT(X) or 10/100/1000BaseT(X) auto negotiation speed

**Fiber Ports:** 100/1000BaseSFP slot

**Console Port:** USB serial console (Type B connector)

**PoE Pinout:** 2-Pair PoE Mode: V+, V+, V-, V- for pins 1, 2, 3, 6 (Endspan, MDI, Mode A)

**DIP Switches:** Turbo Ring, Master, Coupler, Reserve

**Alarm Contact:** 1 relay output with current carrying capacity of 0.5 A @ 48 VDC

**Digital Inputs:** 1 input with the same ground, but electrically isolated from the electronics.

- +13 to +30 V for state "1"
- -30 to +3 V for state "0"
- Max. input current: 8 mA

**Power Requirements**

**Input Voltage:** 12/24/48 VDC, redundant dual inputs (> 50 VDC for PoE+ or 60W output recommended)

**Operating Voltage:** 12 to 57 VDC

**Input Current:** 4.08 A @ 48 VDC

**Overload Current Protection:** Present

**Connection:** 2 removable 4-contact terminal blocks

**Reverse Polarity Protection:** Present

**Power Consumption:** Max. 18.96 W full loading without PDs' consumption

**Power Budget:**

- Max. 180 W for total PDs' consumption @ 48 VDC input
- Max. 150 W for total PDs' consumption @ 24 VDC input
- Max. 62 W for total PDs' consumption @ 12 VDC input
- Max. 60 W for each PoE port

**Physical Characteristics**

**Housing:** Metal

**IP Rating:** IP40 protection

**Dimensions:** 49.1 x 135 x 116 mm (1.93 x 5.31 x 4.57 in)

**Weight:** 910 g (2.00 lb)

**Installation:** DIN-rail mounting, wall mounting (with optional kit)

**Environmental Limits**

**Operating Temperature:**

Standard Models: -10 to 60°C (14 to 140°F)

Wide Temp. Models: -40 to 75°C (-40 to 167°F)

**Storage Temperature:** -40 to 85°C (-40 to 185°F)

**Ambient Relative Humidity:** 5 to 95% (non-condensing)

**Standards and Certifications**

**Note:** Please check Moxa's website for the most up-to-date certification status.

**Safety:** UL 61010-2-201, EN 61010 (LVD)

**EMC:** EN 61000-6-2/6-4

**EMI:** CISPR 22, FCC Part 15B Class A

**EMS:**

EN 61000-4-2 (ESD): Contact: 8 kV; Air: 15 kV

EN 61000-4-3 (RS): 80 MHz to 1 GHz: 20 V/m

EN 61000-4-4 (EFT): Power: 4 kV; Signal: 4 kV

EN 61000-4-5 (Surge): Power: 4 kV; Signal: 4 kV

EN 61000-4-6 (CS): 10 V

EN 61000-4-8

**Electrical Substations:** IEC 61850-3, IEEE 1613

**Traffic Control:** NEMA-TS2

**Rail Traffic:** EN 50121-4

**Shock:** IEC 60068-2-27

**Freefall:** IEC 60068-2-31

**Vibration:** IEC 60068-2-6

**MTBF (mean time between failures)**

Time: 755,167 hrs

Standard: Telcordia (Bellcore), GB

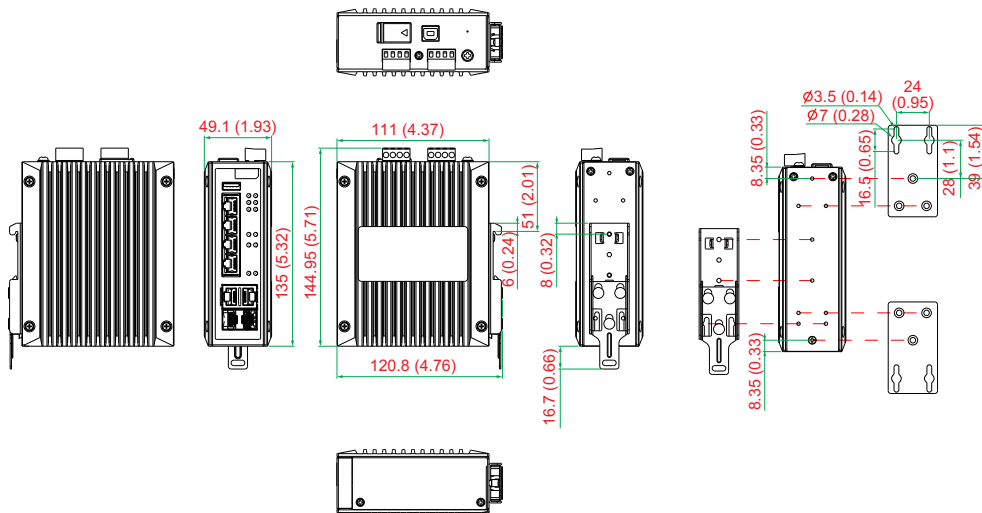
**Warranty**

**Warranty Period:** 5 years

**Details:** See [www.moxa.com/warranty](http://www.moxa.com/warranty)

**Dimensions**

Unit: mm (inch)



## Ordering Information

Available Models		Port Interface	
		Gigabit Ethernet Combo Port, 10/100/1000BaseT(X) or 100/1000BaseSFP*	Fast Ethernet PoE+/60W, 10/100BaseT(X)
Standard Temperature (-10 to 60°C)	Wide Temperature (-40 to 75°C)		
EDS-P506E-4PoE-2GTXSFP	EDS-P506E-4PoE-2GTXSFP-T	2	4

\*The EDS-P506E-4PoE series supports 2 100/1000BaseSFP slots. See the SFP-1G and SFP-1FE datasheets for Gigabit/Fast Ethernet SFP module product information.

### Optional Accessories (can be purchased separately)

**MXview:** Moxa industrial network management software with 50, 100, 250, 500, 1000, or 2000 nodes

**EDS-SNMP OPC Server Pro:** OPC server software that works with all SNMP devices

**ABC-02-USB:** Configuration backup and restoration tool for managed Ethernet switches, 0 to 60°C operating temperature

**DR-4524/75-24/120-24:** 45/75/120 W DIN-rail 24 VDC power supplies

**DR-75-48/120-48:** 75/120 W DIN-rail 48 VDC power supplies

**DRP-240-48:** 240 W DIN-rail 48 VDC power supplies

**MDR-40-24/60-24:** 40/60 W DIN-rail 24 VDC power supplies, -20 to 70°C operating temperature

**RK-4U:** 4U-high 19-inch rack-mounting kit

**WK-36-02:** Wall-mounting kit, 2 plates with 6 screws

### Package Checklist

- EDS-P506E-4PoE switch
- USB Cable: CBL-USBA/B-100
- Protective caps for unused ports
- Documentation
- Quick installation guide (printed)
- Warranty card

# SFP-1G Series

## 1-port Gigabit Ethernet SFP modules



- > Digital Diagnostic Monitor Function
- > -40 to 85°C operating temperature range (T models)
- > IEEE 802.3z compliant
- > Differential LVPECL inputs and outputs
- > TTL signal detect indicator
- > Hot pluggable LC duplex connector
- > Class 1 laser product, complies with EN 60825-1



### Specifications

#### Interface

Ethernet Ports: 1

Connectors: Duplex LC Connector or Simplex LC Connector (WDM-type only)

#### Optical Fiber

		Gigabit Ethernet SFP									
		SFP-SX		SFP-LSX		SFP-LX	SFP-LH	SFP-LHX	SFP-ZX	SFP-EZX	SFP-EZX-120
Transceiver Type		Multi-Mode		Multi-Mode		Single-Mode	Single-Mode	Single-Mode	Single-Mode	Single-Mode	Single-Mode
Fiber Cable Type		OM1	OM2	OM2	OM1	G.652	G.652	G.652	G.652	G.652	G.652
Typical Distance		300 m	550 m	1 km	2 km	10 km	30 km	40 km	80 km	110 km	120 km
Wave-length	Typical (nm)	850		1310		1310	1310	1310	1550	1550	1550
	TX Range (nm)	830 to 860		1270 to 1355		1280 to 1355	1280 to 1355	1280 to 1340	1530 to 1570	1530 to 1570	1530 to 1570
	RX Range (nm)	770 to 860		1260 to 1610		1260 to 1610	1260 to 1610	1260 to 1610	1260 to 1610	1260 to 1610	1100 to 1600
Optical Power	TX Range (dBm)	-4 to -9.5		-1 to -9		-3 to -9	-3 to -8	+3 to -4	+5 to 0	+5 to 0	+3 to -2
	RX Range (dBm)	0 to -18		-1 to -19		-3 to -21	-3 to -23	-1 to -24	-1 to -24	-9 to -30	-8 to -33
	Link Budget (dB)	8.5		10		12	15	20	24	30	31
	Dispersion Penalty (dB)	4.3	3.6	5	5	1	1	1	1	1	2

Note: When connecting the SFP-LHX, ZX, EZX, or EZX-120, we recommended using an attenuator to prevent the transceiver from being damaged by excessive optical power.

		WDM Gigabit Ethernet SFP											
		SFP-10A		SFP-10B		SFP-20A		SFP-20B		SFP-40A		SFP-40B	
Transceiver Type		Single-Mode				Single-Mode				Single-Mode			
Fiber Cable Type		G.652				G.652				G.652			
Typical Distance		10 km				20 km				40 km			
Wave-length	Typical (nm)	TX 1310, RX 1550		TX 1550, RX 1310		TX 1310, RX 1550		TX 1550, RX 1310		TX 1310, RX 1550		TX 1550, RX 1310	
	TX Range (nm)	1270 to 1355		1530 to 1570		1270 to 1355		1530 to 1570		1290 to 1330		1530 to 1570	
	RX Range (nm)	1480 to 1580		1260 to 1360		1480 to 1580		1260 to 1360		1480 to 1580		1260 to 1360	
Optical Power	TX Range (dBm)	-3 to -9				-2 to -8				+2 to -3			
	RX Range (dBm)	-3 to -21				-2 to -23				-1 to -23			
	Link Budget (dB)	12				15				20			
	Dispersion Penalty (dB)	2				3				1			

Note: WDM-type SFP modules must be used in pairs (e.g., SFP-1G10ALC and SFP-1G10BLC)

Note: When connecting the SFP-40A and 40B, we recommend using an attenuator to prevent damage caused by excessive optical power.

**Typical Distance:** To reach the typical distance of specified fiber transceiver, please refer to formula: Link budget(dB) > dispersion penalty(dB) + total link loss(dB).

### Power Requirements

Power Consumption: Max. 1 W

### Environmental Limits

Operating Temperature:

Standard Models: 0 to 60°C (32 to 140°F)

Wide Temp. Models: -40 to 85°C (-40 to 185°F)

Storage Temperature: -40 to 85°C (-40 to 185°F)

Ambient Relative Humidity: 5 to 95% (non-condensing)

### Standards and Certifications

Safety: CE, FCC, TÜV (EN 60825), UL 60950-1

Marine: DNV, GL

### Warranty

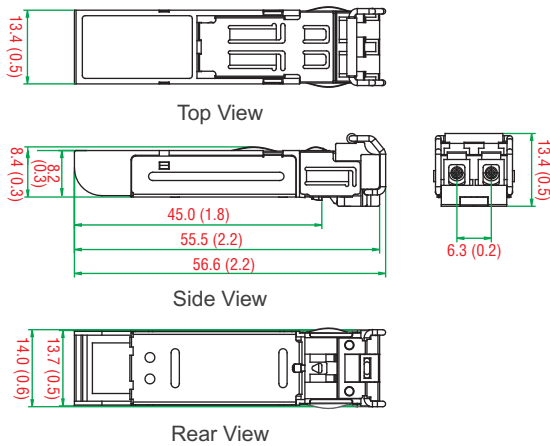
Warranty Period: 5 years

Details: See [www.moxa.com/warranty](http://www.moxa.com/warranty)

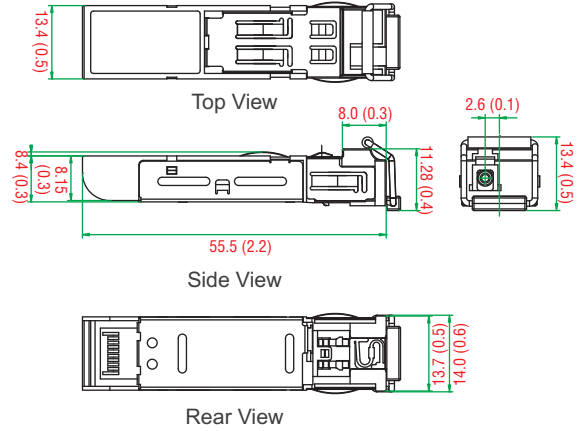
### Dimensions

Unit: mm (inch)

#### SFP-1G Series



#### SFP-1G Series (WDM Type)



### Ordering Information

Gigabit Ethernet SFP Models				WDM Gigabit Ethernet SFP Models			
Standard Temperature Models (0 to 60°C)	Wide Temperature Models (-40 to 85°C)	Tranceiver Type	Typical Distance	Standard Temperature (0 to 60°C)	Wide Temperature (-40 to 85°C)	Tranceiver Type	Typical Distance
SFP-1GSXLC	SFP-1GSXLC-T	Multi-Mode	300/550 m	SFP-1G10ALC	SFP-1G10ALC-T	Single-Mode	10 km
SFP-1GLSXLC	SFP-1GLSXLC-T	Multi-Mode	1/2 km	SFP-1G10BLC	SFP-1G10BLC-T	Single-Mode	10 km
SFP-1GLXLC	SFP-1GLXLC-T	Single-Mode	10 km	SFP-1G20ALC	SFP-1G20ALC-T	Single-Mode	20 km
SFP-1GLHLC	SFP-1GLHLC-T	Single-Mode	30 km	SFP-1G20BLC	SFP-1G20BLC-T	Single-Mode	20 km
SFP-1GLHXLC	SFP-1GLHXLC-T	Single-Mode	40 km	SFP-1G40ALC	SFP-1G40ALC-T	Single-Mode	40 km
SFP-1GZXLC	SFP-1GZXLC-T	Single-Mode	80 km	SFP-1G40BLC	SFP-1G40BLC-T	Single-Mode	40 km
SFP-1GEZXLC	-	Single-Mode	110 km	-	-	-	-
SFP-1GEZXLC-120	-	Single-Mode	120 km	-	-	-	-

#### Package Checklist

- SFP-1G module
- Warranty card

# SFP-1FE Series

## 1-port Fast Ethernet SFP modules



- > Digital Diagnostic Monitor Function
- > IEEE 802.3u compliant
- > Differential PECL inputs and outputs
- > TTL signal detect indicator
- > Hot pluggable LC duplex connector
- > Class 1 laser product; complies with EN 60825-1



### Specifications

#### Interface

Ethernet Ports: 1

Connectors: Duplex LC Connector

#### Optical Fiber

	Fast Ethernet SFP			
	SFP-M		SFP-S	SFP-L
Transceiver Type	Multi-Mode		Single-Mode	
Fiber Cable Type	OM1/OM2	62.5/125, 50/125 $\mu$ m	G.652	G.652
		800 MHz* km		
Typical Distance	2 km	4 km	40 km	80 km
Wave-length	Typical (nm)	1310	1310	1550
	TX Range (nm)	1280 to 1340	1280 to 1340	1530 to 1570
	RX Range (nm)	1100 to 1650	1100 to 1600	1100 to 1600
Optical Power	TX Range (dBm)	-8 to -18	0 to -5	0 to -5
	RX Range (dBm)	-3 to -32	-3 to -34	-3 to -34
	Link Budget (dB)	14	29	29
	Dispersion Penalty (dB)	2	3	1

Note: When connecting the SFP-S or L, we recommend using an attenuator to prevent damage caused by excessive optical power.

#### Power Requirements

Power Consumption: Max. 1 W

#### Environmental Limits

Operating Temperature: -40 to 85°C (-40 to 185°F)  
 Storage Temperature: -40 to 85°C (-40 to 185°F)  
 Ambient Relative Humidity: 5 to 95% (non-condensing)

#### Standards and Certifications

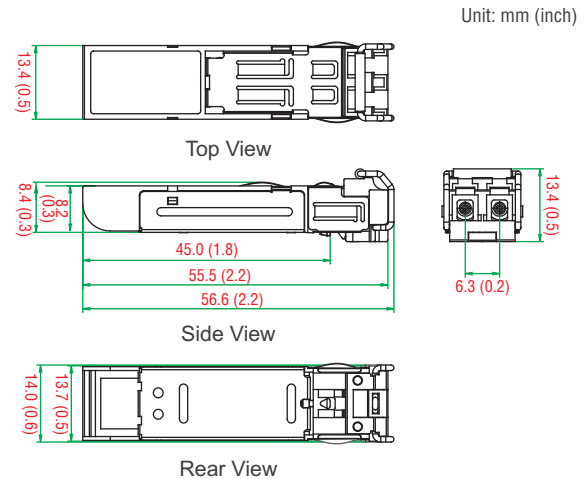
Safety: CE, FCC, TÜV, UL 60950-1  
 Marine: DNV, GL

#### Warranty

Warranty Period: 5 years

Details: See [www.moxa.com/warranty](http://www.moxa.com/warranty)

#### Dimensions



### Ordering Information

Available Models	Port Interface		
	100BaseFX, Multi-Mode, LC Connector, 4 km	100BaseFX, Single-Mode, LC Connector, 40 km	100BaseFX, Single-Mode, LC Connector, 80 km
SFP-1FEMLC-T	1	-	-
SFP-1FESLC-T	-	1	-
SFP-1FELLC-T	-	-	1

#### Package Checklist

- SFP-1FE module
- Warranty card