

SPL-24 Series

PoE splitters



- > IEEE 802.3af compliant; splits power and data from PoE equipment
- > Supports output power up to 12.95 W at 24 VDC
- > Short circuit protection for power output
- > -40 to 75°C operating temperature range (T model)
- > DIN-rail mounting ability



Specifications

Technology

Standards:

IEEE 802.3af for Power-over-Ethernet
 IEEE 802.3 for 10BaseT
 IEEE 802.3u for 100BaseT(X)

Interface

RJ45 Ports: 10/100BaseT(X) for PoE IN and DATA OUT

LED Indicators: Power

Power Requirements

Input Voltage: 44 to 75 VDC (PoE)

Output Voltage: 24 VDC

Overload Current Protection: 400 mA @ 48 VDC input

Connection: 1 removable 3-contact terminal block for output

Output Power: Max. 12.95 watts (0.54 A @ 24 VDC)

Physical Characteristics

Housing: Plastic, IP30 protection

Dimensions: 24.9 × 100 × 86.2 mm (0.98 × 3.93 × 3.39 in)

Weight: 95 g

Installation: DIN-rail mounting

Environmental Limits

Operating Temperature:

Standard Models: 0 to 60°C (32 to 140°F)

Wide Temp. Models: -40 to 75°C (-40 to 167°F)

Storage Temperature: -40 to 85°C (-40 to 185°F)

Ambient Relative Humidity: 5 to 95% (non-condensing)

Standards and Certifications

Safety: UL 69050-1

EMI: FCC Part 15 Subpart B Class B, EN 55022 Class A

EMS:

EN 61000-4-2 (ESD) Level 3, EN 61000-4-3 (RS) Level 3,

EN 61000-4-4 (EFT) Level 3, EN 61000-4-5 (Surge) Level 3,

EN 61000-4-6 (CS) Level 3, EN 61000-4-8

Marine: DNV, GL, LR, ABS, NK

Shock: IEC 60068-2-27

Freefall: IEC 60068-2-32

Vibration: IEC 60068-2-6

Note: Please check Moxa's website for the most up-to-date certification status.

MTBF (mean time between failures)

Time: 5,104,703 hrs

Database: MIL-HDBK-217F, GB 25°C

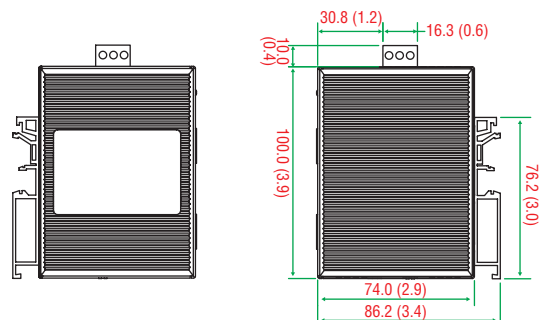
Warranty

Warranty Period: 5 years

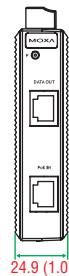
Details: See www.moxa.com/warranty

Dimensions

Unit: mm (inch)



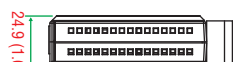
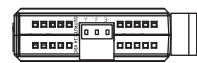
Side View



Front View



Rear View



Top and Bottom View

Ordering Information

Available Models

SPL-24: PoE splitter, maximum output of 12.95 W at 24 VDC, 0 to 60°C operating temperature

SPL-24-T: PoE splitter, maximum output of 12.95 W at 24 VDC, -40 to 75°C operating temperature

Package Checklist

- SPL-24 PoE splitter
- Hardware installation guide (printed)
- Warranty card