

IPC2322EBR-DPZ28 IR Bullet Kamera

STAR SERİSİ

2MP Motorized IR Bullet Kamera



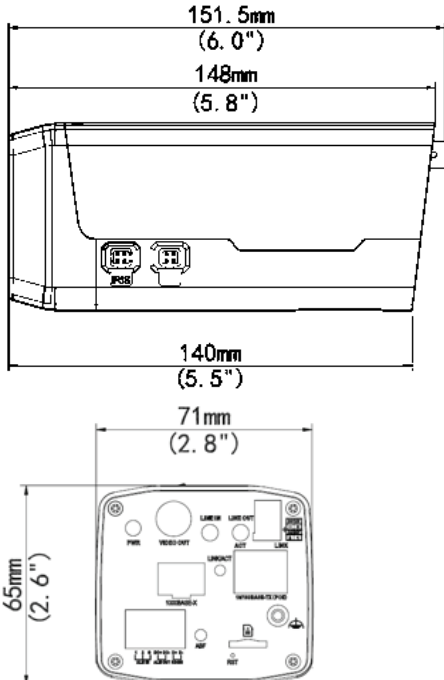
ONVIF



Özellikleri

- * 1/2.9" 2 Megapiksel (1920 x 1080) Cmos Sensör
- * IR-cut filter with auto switch (ICR)
- * H.265 / H264 / MJPEG
- * ROI (Region of Interest), Defog, 3D DNR, Onvif, 9:16 Koridor Modu
- * 128 Gb kadar micro SD kart desteği
- * WDR(Geniş Dinamik Aralığı) 120dB kadar

Boyutları



Teknik Özellikleri

Model	IPC2322EBR-DPZ28
Camera	
Sensor	1/2.9", 2 megapixel, progressive scan CMOS
Day & Night	IR-cut filter with auto switch (ICR)
Shutter	Auto/Manual, 1/6~1/100000s
Min. Illumination	Colour: 0.02 Lux (F1.4, AGC ON) 0 Lux with IR on
S/N	>52dB
WDR	Optical WDR (up to 120 dB)
Lens	2.8~12mm @F1.4; Angle of view: 90° ~ 28°
IR Range	Up to 50m IR range
Zoom/focus	Motor drive
Video	
Max. Resolution	1920 x 1080
Video Compression	H.265, H.264, MJPEG
Frame Rate	1080P (1920*1080): Max. 30 fps; 720P (1280*720): Max. 30 fps; D1 (720*576): Max. 25 fps
9:16 Corridor Mode	Supported
ROI	Supported
HLC	Supported
Defog	Supported
Video Streaming	Triple
OSD	Up to 8 OSDs
Privacy Mask	Up to 8 areas
Smart	
Behavior Detection	Intrusion, crossing line, motion detection
Exception Detection	Audio detection
Intelligent Identification	Face detection
Statistical Analysis	People counting
Audio	
Audio Compression	G.711
Two-way Talking	Supported
Storage	
Edge Storage	Micro SD, up to 128 GB
Network	
Protocols	L2TP, IPv4, IGMP, ICMP, ARP, TCP, UDP, DHCP, PPPoE, RTP, RTSP, RTCP, DNS, DDNS, NTP, FTP, UPnP, HTTP, HTTPS, SMTP, 802.1x
Compatible Integration	ONVIF, API
Interface	
Audio I/O	Audio cable Input: impedance 35 kΩ; amplitude 2 V [p-p] Output: impedance 600 Ω; amplitude 2 V [p-p]
Alarm I/O	1 / 1
Network	10M/100M Base-TX Ethernet
General	
Power	12 V DC, or PoE (IEEE802.3 af) Power consumption: Max 9W
Material	Cast aluminum
Dimensions (L x W x H)	253.4 x 86 x 71.7 mm (9.98" x 3.4" x 2.8")
Weight	0.58kg (1.28lb)
Working Environment	-35°C ~ +60°C (-31°F ~ 140°F), Humidity ≤ 95% RH(non-condensing)
Vandal Resistant	IK10
Ingress Protection	IP66