

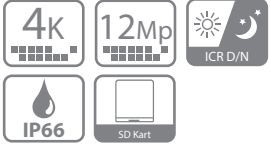
IPC6248SR-X22

STAR SERİSİ

4K Ultra-HD 22x PTZ Dome Kamera



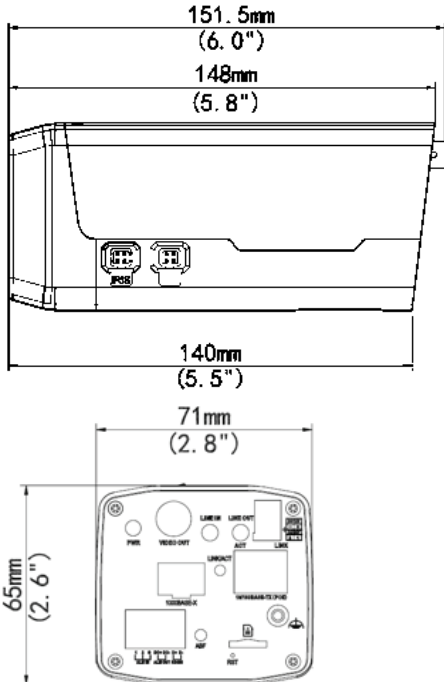
ONVIF



Özellikleri

- * 1/1.7" 12 Megapiksel (4000x3000) Cmos Sensör
- * IR-cut filter with auto switch (ICR)
- * H.264, MJPEG
- * Giriş koruması IP66 desteği
- * Pan Range 360° (endless), Tilt Speed: Preset speed 240°/s

Boyutları



Teknik Özellikleri

Model	IPC6248SR-X22
Camera	
Sensor	1/1.7" progressive scan, 12 megapixel, CMOS
Day & Night	IR-cut filter with auto switch (ICR)
Shutter	Auto/Manual, shutter time: 1/6 s ~ 1/8000 s
Min. Illumination	Colour: 0.02 lux (F1.5, 50IRE) 0 lux with IR
S/N	>55dB
Iris	Auto/Manual, F1.5 ~ F3.4
Lens	6.5~ 143 mm (22x optical zoom)
Angle of View (H)	72° (wide) ~ 3.07° (tele)
WDR	N/A
IR	N/A
Video	
Max. Resolution	1080P (1920x1080): Max. 30 fps
Video Compression	H.264
Frame Rate	12MP (4000x3000): Max. 20 fps; 4K (3840x2160): Max. 30 fps
9:16 Corridor Mode	N/A
HLC	Supported
Digital Zoom	Supported
Video Streaming	Triple
OSD	Time OSD, custom OSD
Digital Zoom	Supported
Privacy Mask	Supported
Smart	
Behavior Detection	N/A
Exception Detection	N/A
Intelligent Identification	N/A
Statistical Analysis	N/A
Audio	
Audio Compression	G.711
Two-way Talking	Supported
Storage	
Edge Storage	Micro SD, up to 128 GB
Network	
Protocols	L2TP, IPv4, IGMP, ICMP, ARP, TCP, UDP, DHCP, PPPoE, RTP, RTSP, DNS, DDNS, NTP, FTP, UPnP, HTTP, HTTPS, SMTP, SNMP, SIP, QoS
Compatible Integration	ONVIF, API
Pan & Tilt	
Pan Range	360° (endless)
Pan Speed	0.1°/s ~ 240°/s Preset speed: 300°/s
Tilt Range	-15° ~ +90° (auto reverse)
Tilt Speed	0.1° ~ 160°/s Preset speed: 240°/s
Number of Presets	256
Patrol	Preset patrol, route patrol, recorded patrol
Home Position	Supported
Interface	
Audio I/O	Audio interface
	Input: impedance 35 kΩ; amplitude 2 V [p-p]
	Output: impedance 600 Ω; amplitude 2 V [p-p]
Alarm I/O	2 alarm inputs, 1 alarm output
Serial Port	1 RS485
Network	10M/100M Base-TX Ethernet
Video Output	1 BNC, impedance 75 Ω; amplitude 1 V [p-p]
General	
Power	24 V AC±25% (default power supply), 24V DC±25%
	Power consumption: 14 W ~ 48 W Overvoltage/overcurrent protection
Dimensions (L x W x H)	Ø227 x 359.4 mm (Ø8.9" x 14.2")
Weight	5.5 kg (12.1 lb)
Working Environment	40°C ~ +70°C (-40°F ~ 158°F), Humidity ≤ 90% RH(non-condensing)
IR	N/A
Ingress Protection	IP66