

x36 HD IP IR PTZ OUTDOOR CAMERA with WIPER

NEW PRB-H3600



Features

Using Ultra-Low Light sensor

With 2M 1/1.9" CMOS image sensor, you can check High image quality and clear color images in dim light environment. It also has the ability to powerful low noise effect and outstanding noise reduction.

Powerful zoom capability

36x optical zoom, 12x digital zoom, excellent automatic focusing, and 5.8 ~ 210.0 mm focus range. Especially, since the aperture is F1.5~F4.8, it is possible to acquire better quality image than any other camera.

Micro-Step Technology

Due to the Micro-step technology, on step angle is divided by 256. Accordingly, hi accuracy as well as ultra-low sound noise can be achieved. Micro-step technology enables ultra-low speed down to 0.05/s.

Triple codec, Simultaneous multi steaming

Triple H/W codec enables to transmit max 3 independent streams with different settings for different requirements. Therefore, it is possible to combine seamless remote video monitoring using H.264/H.265 with simultaneous transmission to Network Video Recorder.

Built-in step out compensation with feedback control

Zero deviation positioning technology for ensuring high precision and accuracy in preset, never losing presets and group(patrol). High precision closed loop stepper motors and gears to provide accuracy, smoothness, stability and quietness of movements.

Weather Proof Design

With IP67 protection, the camera ensures normal operation regardless of rain, snow or storm.

Specifications

Camera

Image Device	1/1.9" Progressive Scan CMOS
Effective Pixels	Approx. 2.38 Mega pixels
Aspect Ratio	HD: 16:9 SD: 4:3
Zoom Ratio	Optical x36, Digital x12
Focal Length	f = 5.8 ~ 210mm, F1.5 ~ F4.8
Horizontal angle	60.0°(W) ~ 3.70°(T)
MIN. Illumination	COLOR : 0.005 Lux@F1.5 B/W : 0.0005 Lux@F1.5, 0 Lux (IR)
Day & Night	Auto(CDS/CAM) / Day / Night(ICR)
Focus	Auto/Semi Auto/Manual
DNR(2D/3D)	OFF/Level Adjustment(1~5)
Shutter Speed	1 sec ~ 1/10,000sec(60/30 mode) 1 sec ~ 1/10,000sec(50/25 mode)
AGC	Auto/Manual
White Balance	Auto/Indoor/Outdoor/Manual
WDR/BLC	OFF/BLC/WDR(Digital)
Other Function	Defog(Digital), HLC, Dynamic slow shutter

Pan/Tilt

Range	Pan: 360° (Endless) Tilt: -15° ~ 180° (Flip)
Speed	Preset: 240°/sec Manual: 0.05° ~ 180°/sec Scan: 1.4°~150°/sec
Preset	255 Presets with Labels
Group	8 groups(Max. 16 presets)
Sound Noise	Under Max. 32.5dB

General

Sensor In /Out	Built-in 1 Input / 1 Output(Relay)
Audio In / Out	1 Audio In / 1 Audio Out
Video Out	BNC: VBS 1.0 Vp-p
IR distance	More than 350M, Wave: 850nm (with adaptive synchronized with zoom ratio)
Power	AC24V 36W
Approvals*	KC, IP67
Housing	Weather proof / Vandal Proof Structure
Material	Body : Aluminum Die-casting
Dimension	Net: Ø211 x 350.6(H) mm
Weight	5Kg(approx.)
Operating Temp.	-30°C ~ 50°C

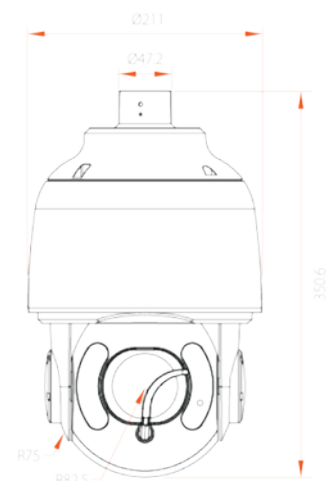
Network

Ethernet	10Base-T/100Base-Tx	
Video Compression	H.265/H.264/MJPEG	
Video Stream	Main	1080p/720p
	Second	D1/CIF/QCIF
	Third	1080p/720p/D1/CIF/QCIF
Stream Type	Video/Complex(Video/Audio) Stream	
Frame Rate	Max. 30 /25 fps for 1080P/720P/D1/CIF/QCIF	
Bitrate	30Kbps ~ 16Mbps. Supports CBR/VBR/FIX QP	
Audio Compression	Two way, G.711 A-law, G.711 μ-law, 128kbps, sampling rate 8kHz	
Local Storage	Micro SD/SDHC/SDXC card. Support up to 128GB	
IVA	Motion Detection, Occlusion Detection, Line Crossing*, Region entrance/exiting*, Intrusion*, Tampering*, etc	
Alarm actions	Email, Micro SD/SDCH/SDXC Record, Relay Output, Snapshot, Notification of Client	
Alarm	Pre-Post Alarm	
Max No. of Clients	10 users(Depending on user bandwidth)	
Web Brower	IE 6.0 above	
Protocols Support	IPv4	IPv4/IPv6*, TCP/IP, UDP, RTP, RTSP, RTMP, NTP, HTTP, HTTPS*, SSL*, DNS, DDNS, DHCP, FTP, SMTP, ICMP, SNMP*
	DDNS	Public DDNS services Support: www.dyndns.com
	ONVIF	PROFILE S
	Security	User Authentication(ID/PW), IP Address/Mac Address filtering*

The specifications are subject to change without prior notice. (*) This feature is under development and will be added in the future.

Dimension

Unit: mm



PROBEDIGITAL Co.,Ltd.

#107 Hyundai 1-Valley, 31, Galamchi-ro 244beon-gil, Jungwon-gu, Seongnam-si, Gyeonggi-do,13212, Rep. of Korea
Tel: + 82.31.777.3490 | Fax: + 82. 31. 777. 3493 | E-mail: sales@probedigital.co.kr
www.probedigital.co.kr