

x36 HD IP-SDI IR PTZ OUTDOOR CAMERA

NEW PRI-H3600



Features

Using Ultra-Low Light sensor

With 2M 1/1.9" CMOS image sensor, you can check High image quality and clear color images in dim light environment. It also has the ability to powerful low noise effect and outstanding noise reduction.

Powerful zoom capability

36x optical zoom, 12x digital zoom, excellent automatic focusing, and 5.8 ~ 210.0 mm focus range. Especially, since the aperture is F1.5~F4.8, it is possible to acquire better quality image than any other camera.

Micro-Step Technology

Due to the Micro-step technology, on step angle is divided by 256. Accordingly, hi accuracy as well as ultra-low sound noise can be achieved. Micro-step technology enables ultra-low speed down to 0.05°/s.

Triple codec, Simultaneous multi steaming

Triple H/W codec enables to transmit max 3 independent streams with different settings for different requirements. Therefore, it is possible to combine seamless remote video monitoring using H.264/H.265 with simultaneous transmission to Network Video Recorder.

Auto Temperature Control

Built-in fan and heater for harsh environments.

Weather Proof Design

With IP66 protection, the camera ensures normal operation regardless of rain, snow or storm.

IR Light

High-power monocrystal infrared LED is used to reach over 300m and the light distance and angle are automatically synchronized according to the zoom magnification of the camera, so nighttime surveillance is efficient .

Specifications

Camera

Image Device	1/1.9" Progressive Scan CMOS
Effective Pixels	Approx. 2.38 Mega pixels
Aspect Ratio	HD: 16:9 SD: 4:3
Zoom Ratio	Optical x36, Digital x12
Focal Length	f = 5.8 ~ 210mm, F1.5 ~ F4.8
Horizontal angle	60.0°(W) ~ 3.70°(T)
MIN. Illumination	COLOR : 0.005 Lux@F1.5 B/W : 0.0005 Lux@F1.5, 0 Lux (IR)
Day & Night	Auto(CDS/CAM) / Day / Night(ICR)
Focus	Auto/Semi Auto/Manual
DNR(2D/3D)	OFF/Level Adjustment(1~5)
Shutter Speed	1 sec ~ 1/10,000sec(60/30 mode) 1 sec ~ 1/10,000sec(50/25 mode)
AGC	Auto/Manual
White Balance	Auto/Indoor/Outdoor/Manual
WDR/BLC	OFF/BLC/WDR(Digital)
Other Function	Defog(Digital), HLC, Dynamic slow shutter

General

Sensor In /Out	Built-in 4 Input / 2 Output(Relay)
Audio In / Out	1 Audio In / 1 Audio Out
Video Out	SMPTE-292M(HD-SDI), BNC: VBS 1.0 Vp-p
IR distance	More than 300M
Power	Dual : AC24V / DC12V 36W, Heater on(66W)
Approvals	KC, IP66
Housing	Weather proof/Vandal Proof Structure
Material	Body : Aluminum Die-casting
Dimension	Net: Ø210 x 535.1(H) mm
Weight	6.8 Kg(approx.)
Operating Temp.	-30°C ~ 50°C

Pan/Tilt

Range	Pan : 360° (Endless) Tilt: -7° ~ 90° (Auto-Flip)
Speed	Preset: 240°/sec Manual: 0.05° ~ 180°/sec Scan: 1.4 ° ~ 150 °/sec
Preset	255 Presets with Labels
Group	8 groups(Max. 16 presets)

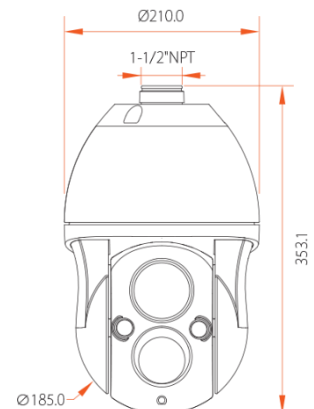
IP Encoder

Ethernet	10Base-T/100Base-Tx
Video Compression	H.265/H.264/MJPEG
Video Stream	Main 1080p/720p
	Second D1/CIF/QCIF
	Third 1080p/720p/D1/CIF/QCIF
Stream Type	Video/Complex(Video/Audio) Stream
Frame Rate	Max. 30/25 fps for 1080P/720P/D1/CIF/QCIF
Bitrate	30Kbps ~ 16Mbps. Supports CBR/VBR/FIX QP
Audio Compression	Two way, G.711 A-law, G.711 μ-law, 128kbps, sampling rate 8kHz
Local Storage	Micro SD/SDHC/SDXC card. Support up to 128GB
IVA	Motion Detection, Occlusion Detection, Line Crossing*, Region entrance/exiting*, Intrusion*, Tampering*, etc
Alarm actions	Email, Micro SD/SDCH/SDXC Record, Relay Output, Snapshot, Notification of Client
Alarm	Pre-Post Alarm
Max No. of Clients	10 users(Depending on user bandwidth)
Web Browser	IE 6.0 above
Protocols Support	IPv4 IPv4/IPv6*, TCP/IP, UDP, RTP, RTSP, RTMP, NTP, HTTP, HTTPS*, SSL*, DNS, DDNS, DHCP, FTP, SMTP, ICMP, SNMP*
	DDNS Public DDNS services Support: www.dyndns.com
	ONVIF PROFILE S
	Security User Authentication(ID/PW), IP Address/Mac Address filtering*

The specifications are subject to change without prior notice. (*) This feature is under development and will be added in the future.

Dimension

Unit: mm



PROBEDIGITAL Co.,Ltd.

#107 Hyundai I-Valley, 31, Galamchi-ro 244beon-gil, Jungwon-gu, Seongnam-si, Gyeonggi-do, 13212, Rep. of Korea

Tel: + 82.31.777.3490 | Fax: + 82. 31. 777. 3493 | E-mail: sales@probedigital.co.kr

www.probedigital.co.kr