

x36 Heavy-Load HD IP PTZ

NEW PRP-H3600K



ONVIF



Features

Using Ultra-Low Light sensor

With 2M 1/1.9" CMOS image sensor, you can check High image quality and clear color images in dim light environment. It also has the ability to powerful low noise effect and outstanding noise reduction.

Powerful zoom capability

36x optical zoom, 12x digital zoom, excellent automatic focusing, and 5.8 ~ 210.0 mm focus range. Especially, since the aperture is F1.5~F4.8, it is possible to acquire better quality image than any other camera.

Triple codec, Simultaneous multi streaming

Triple H/W codec enables to transmit max 3 independent streams with different settings for different requirements. Therefore, it is possible to combine seamless remote video monitoring using H.264/H.265 with simultaneous transmission to Network Video Recorder.

Built-in step out compensation with feedback control

Zero deviation positioning technology for ensuring high precision and accuracy in preset, never losing presets and group(patrol). High precision closed loop stepper motors and gears to provide accuracy, smoothness, stability and quietness of movements.

Weather Proof Design

With IP66 protection, the camera ensures normal operation regardless of rain, snow or storm.

Specifications

Camera

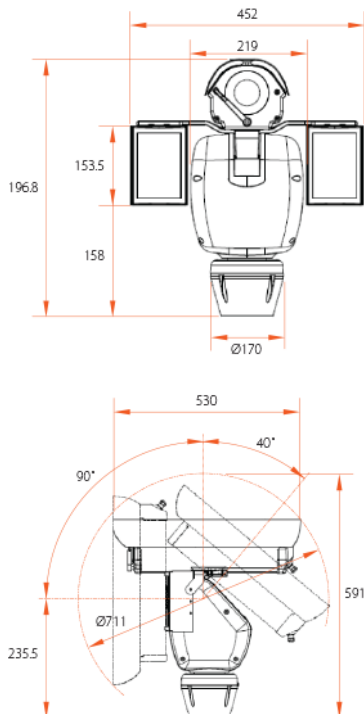
Image Device	1/1.9" Progressive Scan CMOS
Effective Pixels	Approx. 2.38 Mega pixels
Aspect Ratio	HD: 16:9 SD: 4:3
Zoom Ratio	Optical x36, Digital x12
Focal Length	f = 5.8 ~ 210mm, F1.5 ~ F4.8
MIN. Illumination	COLOR : 0.005 Lux@F1.5 B/W : 0.0005 Lux@F1.5, 0 Lux (IR)
Day & Night	Auto/CDS/CAM) / Day / Night(ICR)
Focus	Auto/Semi Auto/Manual
DNR(2D/3D)	OFF/Level Adjustment(1~5)
Shutter Speed	1 sec ~ 1/10,000sec(60/30 mode) 1 sec ~ 1/10,000sec(50/25 mode)
AGC	Auto/Manual
White Balance	Auto/Indoor/Outdoor/Manual
WDR/BLC	OFF/BLC/WDR(Digital)
Other Function	Defog(Digital), HLC, Dynamic slow shutter

Pan/Tilt

Range	Pan : 360° (Endless) Tilt: -90° ~ 40°
Speed	Pan: 0.025 ~ 120°/sec Tilt: 0.025° ~ 40°/sec
Preset	255 Presets with Labels
Accuracy	Max. ±0.1°(Pan) / Max. ±0.05°(Tilt)
Step-out correction	±1.5°
Operating Temp.	-40 ~ +55°C
Protection grade	IP66, TVS4000V surge-proof, lighting-proof
Power	AC24V
IR LED	Above 150 Meters
Net Weight	12Kg
Others	Built-in Fan/Heater/Wiper
Dimension	(W)219 x (H)510mm x (D)530
Material	Aluminum die casting

Dimension

Unit: r



IP Encoder

Ethernet	10Base-T/100Base-Tx
Video Compression	H.265/H.264/MJPEG
Video Stream	Main 1080p/720p
	Second D1/CIF/QCIF
	Third 1080p/720p/D1/CIF/QCIF
Stream Type	Video/Complex(Video/Audio) Stream
Frame Rate	Max. 30/25 fps for 1080P/720P/D1/CIF/QCIF
Bitrate	30Kbps ~ 16Mbps. Supports CBR/VBR/FIX QP
Audio Compression	Two way, G.711 A-law, G.711 μ-law, 128kbps, sampling rate 8kHz
Local Storage	Micro SD/SDHC/SDXC card. Support up to 128GB
IVA	Motion Detection, Occlusion Detection, Line Crossing*, Region entrance/exiting*, Intrusion*, Tampering*, etc
Alarm actions	Email, Micro SD/SDCH/SDXC Record, Relay Output, Snapshot, Notification of Client
Alarm	Pre-Post Alarm
Max No. of Clients	10 users(Depending on user bandwidth)
Web Browser	IE 6.0 above
Protocols Support	IPv4 IPv4/IPv6*, TCP/IP, UDP, RTP, RTSP, RTMP, NTP, HTTP, HTTPS*, SSL*, DNS, DDNS, DHCP, FTP, SMTP, ICMP, SNMP*
	DDNS Public DDNS services Support: www.dyndns.com
	ONVIF PROFILE S
	Security User Authentication(ID/PW), IP Address/Mac Address filtering*

The specifications are subject to change without prior notice. (*) This feature is under development and will be added in the future.


PROBEDIGITAL Co.,Ltd.

#107 Hyundai I-Valley, 31, Galamchi-ro 244beon-gil, Jungwon-gu, Seongnam-si, Gyeonggi-do, 13212, Rep. of Korea

Tel: + 82.31.777.3490 | Fax: + 82. 31. 777. 3493 | E-mail: sales@probedigital.co.kr

www.probedigital.co.kr