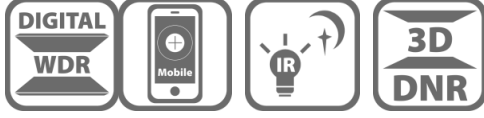


## PR-IPB2020F-I 2.0 MP CMOS Network Bullet Camera



### Key Features

- Up to 2 megapixel (1920 × 1080) resolution
- Standard video compression with high compression ratio, ROI (region of interest) encoding
- Progressive scan CMOS, capture motion video without incised margin
- Support dual stream, and the sub-stream for mobile surveillance
- High-performance and long service life Infrared LED, Approx. 20 to 30 meters IR range
- IR cut filter with auto switch
- Built-in Micro SD / SDHC / SDXC card slot, up to 128GB
- PoE (Power over Ethernet)
- Ingress Protection level: IP67
- Electronic shutter for different surveillance environments
- Other functions: alarm, reset button, mirror, etc
- Support intrusion detection and line crossing detection
- Support VCA, which is compatible with NVR for the second time of video searching and analysing



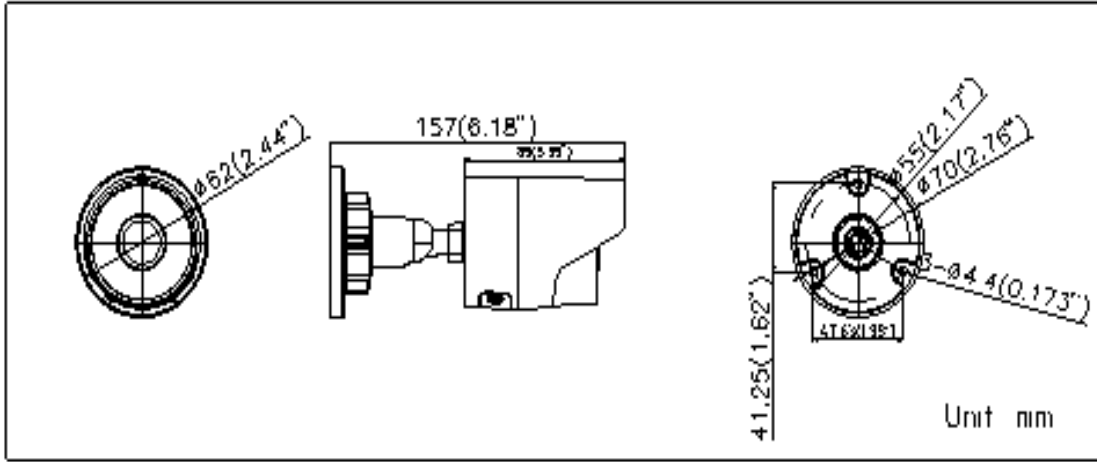
Model	PR-IPB2020F-I
Parameter	2 Megapixel CMOS ICR Infrared Network Bullet Camera
<b>Camera</b>	
Image Sensor	1/2.8" Progressive Scan CMOS
Min. Illumination	0.01Lux @ (F1.2, AGC ON) ,0 Lux with IR 0.028Lux @ (F2.0, AGC ON) ,0 Lux with IR
Shutter Speed	1/3 s to 1/100,000 s
Lens	4mm@ F2.0, Angle of view: 85°
Lens Mount	M12
Day &Night	IR cut filter with auto switch
Digital Noise Reduction	3D DNR
Wide Dynamic Range	Digital WDR
<b>Compression Standard</b>	
Video Compression	H.264/ MJPEG
Video Bit Rate	32 Kbps – 8 Mbps
Dual Stream	Yes
<b>Image</b>	
Max. Resolution	1920 × 1080
Max Frame Rate	50Hz: 25fps(1920 × 1080), 25fps (1280 × 960), 25fps (1280 × 720) 60Hz: 30fps(1920 × 1080), 30fps (1280 × 960), 30fps (1280 × 720)
Sub Stream	50 Hz: 25 fps (320 x 240), 25 fps (352 x 288), 25 fps (640 x 480), 25fps(704 x 576) 60 Hz: 30 fps (320 x 240), 30 fps (352 x 288), 30 fps (640 x 480), 30fps(704 x 576)
Image Settings	Rotate mode, Saturation, Brightness, Contrast adjustable by client software or web browser
Backlight compensation	Yes, zone optional
ROI	Support
<b>Network</b>	
Network Storage	NAS (Support NFS,SMB/CIFS)
Detection	Intrusion detection, Line crossing detection, Motion detection, Dynamic analysis



Alarm Trigger	Tampering alarm, Network disconnect , IP address conflict, Storage exception
Protocols	TCP/IP,ICMP,HTTP,HTTPS,FTP,DHCP,DNS,DDNS,RTP,RTSP,RTCP, NTP,UPnP,SMTP,IGMP,802.1X,QoS,IPv6,Bonjour
General	One-key reset, Anti-Flicker, dual stream, heartbeat, mirror, password protection, privacy mask, watermark, IP address filtering, Anonymous access
Standard	ONVIF, PSIA, CGI, ISAPI
<b>Interface</b>	
Communication Interface	1 RJ45 10M/100M Ethernet interface
On-board storage	Built-in Micro SD/SDHC/SDXC card slot, up to 128 GB
Reset Button	Yes
<b>Wi-Fi Specification(Only for the products with Wi-Fi module built-in)</b>	
Wireless Standards	IEEE802.11b, 802.11g, 802.11n
Frequency Range	2.4 GHz ~ 2.4835 GHz
Channel Bandwidth	20/40MHz Support
Protocols	802.11b: CCK, QPSK, BPSK 802.11g/n: OFDM
Security	64/128-bit WEP, WPA/WPA2, WPA-PSK/WPA2-PSK, WPS
Transfer Rates	11b: 11Mbps 11g: 54Mbps 11n: up to 150Mbps
Wireless Range	50m(depend on environment)
<b>General</b>	
Operating Conditions	-30 °C – 60 °C (-22 °F – 140 °F) Humidity 95% or less (non-condensing)
Power Supply	12 V DC ± 10% , PoE (802.3af)
Power Consumption	MAX. 5.8W
Material	Front Cover: Plastic; Back Cover&Bracket: Metal
Ingress Protection level	IP67
IR Range	30 meters
Dimensions	70×157×62mm (2.8" × 6.1" × 2.4")
Weight	500g (1.1 lbs)



## Dimensions



## Platform Güvenlik Sistemleri İth.İhr.Tic.Ltd.Şti

🏠 KAPTANPAŞA MH DARÜLACEZE CD BİLAŞ İŞ MERKEZİ B BLOK NO:33 KAT:2 D:33 OKMEYDANI ŞİŞLİ / İSTANBUL

🌐 [www.platformguvenlik.com.tr](http://www.platformguvenlik.com.tr)

🌐 [www.bayisen.com.tr](http://www.bayisen.com.tr)

🌐 [www.prolook.com.tr](http://www.prolook.com.tr)

☎ 0212 222 66 66

✉ [info@bayisen.com.tr](mailto:info@bayisen.com.tr)

✉ [info@platformguvenlik.com.tr](mailto:info@platformguvenlik.com.tr)

☎ 0212 222 66 66

