

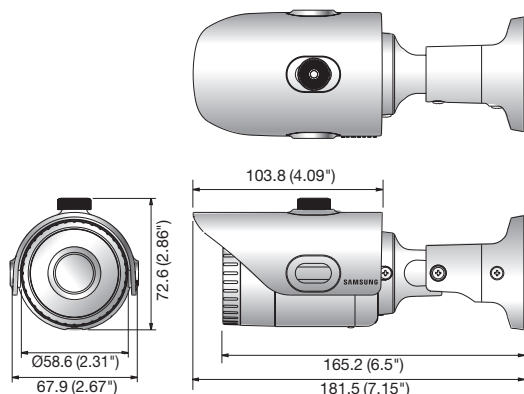


Key Features

- Max. 2M (1920 x 1080) resolution
- 3.6mm fixed lens
- 0.15Lux@F1.8 (Color), 0Lux@F1.8 (B/W : IR LED on)
- 30fps@all resolutions (H.264)
- H.264, MJPEG dual codec, Multiple streaming
- Motion detection, Tampering
- micro SD/SDHC memory slot, PoE
- IR viewable length 20m, IP66
- Hallway view support (Rotate 90°/270°)
- LDC support (Lens Distortion Correction)

Dimensions

Unit : mm (inch)



SNO-L6013RN/P

| | |
|-----------------------------------|---|
| VIDEO | |
| Imaging Device | 1/2.9" 2.19M CMOS |
| Total Pixels | 2,000(H) x 1,121(V) |
| Effective Pixels | 1,984(H) x 1,105(V) |
| Scanning System | Progressive |
| Min. Illumination | Color : 0.15Lux (1/30sec, F1.8), 0.003Lux (2sec, F1.8) B/W : 0Lux (IR LED on) |
| LENS | |
| Focal Length (Zoom Ratio) | 3.6mm fixed |
| Max. Aperture Ratio | F1.8 |
| Angular Field of View | H : 86.5° / V : 47.8° / D : 101.2° |
| Min. Object Distance | 0.5m (1.64ft) |
| Lens Type | Fixed |
| Mount Type | Board type |
| OPERATIONAL | |
| IR Viewable Length | 20m (65.62ft) |
| Camera Title | Off / On (Displayed up to 15 characters) |
| Day & Night | True Day & Night |
| Backlight Compensation | Off / BLC |
| Contrast Enhancement (DWDR) | SSDR (Samsung Super Dynamic Range) (Off / On) |
| Digital Noise Reduction | SSNR (Off / On) |
| Motion Detection | Off / On (4ea rectangular zones) |
| Privacy Masking | Off / On (6ea rectangular zones) |
| Gain Control | Off / Low / Middle / High |
| White Balance | ATW / AWC / Manual / Indoor / Outdoor |
| LDC (Lens Distortion Correction) | Off / On (5 levels with min / max) |
| Electronic Shutter Speed | Minimum / Maximum / Anti flicker |
| Flip / Mirror | Flip / Mirror / Hallway view |
| Intelligent Video Analytics | Motion detection with metadata, Tampering |
| Alarm Triggers | Motion detection, Tampering detection, SD card error, NAS error |
| Alarm Events | File upload via FTP and E-mail, Local storage recording at event, Notification via E-mail |
| NETWORK | |
| Ethernet | RJ-45 (10/100BASE-T) |
| Video Compression Format | H.264, MJPEG |
| Resolution | 1920 x 1080, 1280 x 960, 1280 x 720, 1024 x 768, 800 x 600, 720 x 576, 640 x 480, 320 x 240 |
| Max. Framerate | H.264 : Max. 30fps at all resolutions MJPEG : Max. 1fps at 1920 x 1080, 1280 x 960, 1280 x 720, 1024 x 768, Max. 15fps at other resolution |
| Video Quality Adjustment | H.264 : Target bitrate level control, MJPEG : Quality level control |
| Bitrate Control Method | H.264 : CBR or VBR, MJPEG : VBR |
| Streaming Capability | Multiple streaming (Up to 3 profiles) |
| Audio I/O | Line in |
| Audio Compression Format | G.711 u-law / G.726 selectable G.726 (ADPCM) 8KHz, G.711 8KHz, G.726 : 16Kbps, 24Kbps, 32Kbps, 40Kbps |
| Audio Communication | Uni-directional audio |
| IP | IPv4, IPv6 |
| Protocol | TCP/IP, UDP/IP, RTP(UDP), RTP(TCP), RTCP, RTSP, NTP, HTTP, HTTPS, SSL, DHCP, PPPoE, FTP, SMTP, ICMP, IGMP, SNMPv1/v2c/v3(MIB-2), ARP, DNS, DDNS, QoS, PIM-SM, UPnP, Bonjour |
| Security | HTTPS(SSL) login authentication, Digest login authentication IP address filtering, User access log, 802.1x authentication |
| Streaming Method | Unicast / Multicast |
| Max. User Access | 6 users at unicast mode |
| Storage | micro SD/SDHC max. 32G, NAS - Motion images recorded in the SD memory card can be downloaded - Manual recording at local PC |
| Application Programming Interface | ONVIF Profile S, G, SUNAPI (HTTP API) |
| Webpage Language | English, French, German, Spanish, Italian, Chinese, Korean, Russian, Japanese, Swedish, Danish, Portuguese, Turkish, Polish, Czech, Rumanian, Serbian, Dutch, Croatian, Hungarian, Greek, Norwegian, Finnish |
| Web Viewer | Supported OS : Windows XP / VISTA / 7 / 8 / 8.1, MAC OS X 10.7 ~ 10.10 Supported Browser : Microsoft Internet Explorer (Ver. 8 ~ 11), Mozilla Firefox (Ver. 9 ~ 35), Google Chrome (Ver. 15 ~ 40), Apple Safari (Ver. 8.0.2(Mac OS X 10.10), 7.0.6(Mac OS X 10.9), 6.0.2 (Mac OS X 10.8, 10.7 only), 5.1.7) * Mac OS X only |
| Central Management Software | SmartViewer |
| ENVIRONMENTAL | |
| Operating Temperature / Humidity | -30°C ~ +55°C (-22°F ~ +131°F) / Less than 90% RH *Start up should be done at above -20°C (-4°F) |
| Storage Temperature / Humidity | -30°C ~ +60°C (-22°F ~ +140°F) / Less than 90% RH |
| Ingress Protection | IP66 |
| ELECTRICAL | |
| Input Voltage / Current | PoE (IEEE802.3af, Class2) |
| Power Consumption | Max. 5.7W |
| MECHANICAL | |
| Color / Material | Dark gray / Plastic |
| Dimensions (WxH) | Ø58.6 x 165.2mm (Ø2.31" x 6.5") (Without sunshield) |
| Weight | 250g (0.55 lb) |

* The latest product information / specification can be found at www.samsungsecurity.com

* Data recorded on an SD memory card may be lost or damaged by data access during power-off, mechanical shock, memory card detachment, or other operations. Data loss or damage can also occur when a memory card reaches end of life, which varies according to operational conditions. No guarantee is given against damage (including passive damage).