

2M IP Fixed Flat Dome Camera

FXN-B802-R



1080P



FEATURES

Real-time High Definition Dome Camera

Using the state of art video compression engine, real time HD video streams of 1080p can be delivered for recording and monitoring.

Triple codec, Simultaneous Multi Streaming

Triple H/W codec enables to transmit max 3 independent streams with different settings for different requirements. Therefore, it is possible to combine seamless remote video monitoring using H.264 with simultaneous transmission of high quality MPEG-4 to Network Video Recorder. Also, additional MJPEG can be delivered for Mobile devices such as Smart Phone or PDA.

Local SD Card Backup

Some important sequence of still images can be stored in the SDHC memory card. This action can be configured to work with pre-post- alarm event or a given interval.

Day & Night by ICR

For increased sensitivity of image sensor efficiently, a mechanical actuator can shift infrared (IR) Cut filter to disengage from image path automatically in the low light environment.

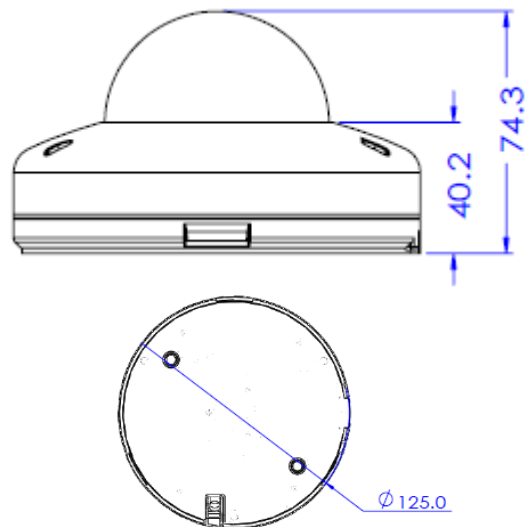
POE

Built-in Power over Ethernet (IEEE 802.3af) makes installation easier, cheaper and more secure since Power over Ethernet can take advantage of UPS (uninterrupted power supply), which provides back-up power in case of a power failure.

Weather Proof Design

Due to IP66 environment protection as well as speed bullet camera will serve you all the time regardless of rain, snow and storm.

Dimension (unit : mm)



Specification

CAMERA	
Image Device	1/2.8 " 2.0M CMOS
Total Pixels	2000(H)X1241(V)
Effective Pixels	Approx. 2 Mega pixels
Aspect Ratio	HD: 16:9 SD: 4:3
Focal Length	8.0mm, F2.0
Horizontal angle	42°
MIN. Illumination	COLOR : 0.1Lux @ F2.0, 30IRE B/W : 0.00Lux @ IR LED ON
Day & Night	Auto / Day / Night(ICR)
IR LED	12pcs IR LED (Distance : 10m)
Day & Night	Auto / Day / Night(ICR)
Focus	Auto/Manual
DNR	OFF/LOW/MIDDLE/HIGH
Shutter Speed	1/30sec ~ 1/6000sec 1/25sec ~ 1/6000sec
DSS	X2~X8
AGC	MAX 41dB
White Balance	Auto/Auto-Ext/Indoor/Outdoor/ One-push Mode/Manual
BLC	OFF/WDR/BLC/HLM

GENERAL	
Camera Posture	3 Axis (Pan/Tilt/Rotation)
Power	DC 12V Max. 5W POE IEEE 802.3af
Approvals	FCC, CE, IP66, ROHS
Housing	Weather proof/Vandal Proof Structure Color: Cool Gray
Material	Aluminum Die-casting
Dimension	Net (Ø x H) 125 x 74.3
Weight	700g
Operating Temp.	-20°C ~ 50°C

NETWORK		
OS	Embedded Linux	
Video Compression	Triple Codec,H.264/MPEG4/MJPEG	
Video Streaming	Multi Streaming CBR/VBR (Controllable frame rate and Bandwidth)	
Resolution	H.264 : 1080p/720p/D1/CIF MJPEG : 1080P/720p/D1/CIF/QCIF MPEG-4 : 720p/D1/CIF	
Frame Rate	Max. 30 /25 fps for 1080p/720P/D1/CIF/QCIF	
Local Storage	SDHC memory card (card is not included)	
Motion detection	Notification: FTP, e-mail, Alarm out, JPEG Recording on SD	
Alarm	Pre-Post Alarm	
Max No. of Clients	10	
Protocols Support	IPv4	ONVIF, TCP/IP, UDP/IP, RTP(UDP/TCP), RTSP, NTP, HTTP,HTTPS, SSL, DNS, DDNS, DHCP, FTP, SMTP, ICMP, SNMPv1/v2c/v3(MIB-2)
	IPv6	TCP/IP, HTTP, HTTPS, DHCP
	DDNS	Proprietary: NET4C Public DDNS services Support: www.dyndns.com, www.no-ip.com
	Security	HTTPS(SSL), Digest Authentication(ID/PW)
OS Supported	Windows 7, Vista, XP , 2000	

<Optional Accessories>

