

Standalone 4/8/16ch Network Video Recorder

SEV-1600



Features

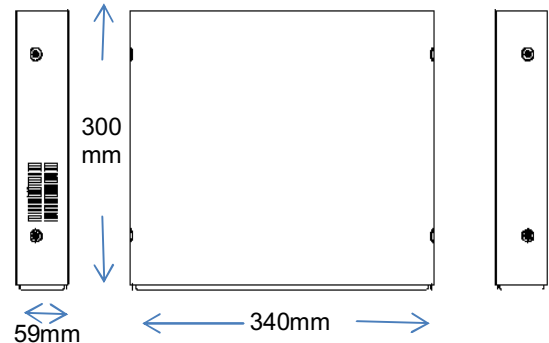
- Up to 16CH Standalone Linux Embedded NVR
- HDMI and VGA Video out (up to 1920x1080)
- Support up to Full HD IP Camera with H.264 High Profile Compression Format
- Digital Zoom in Live & Playback
- Up to X300 Search & Playback Speed
- Built-in Web Server and Supports CMS S/W
- Mobile Client Support (Android, iPhone, iPad)
- Free DDNS and CMS Supports
- 2 Internal SATA HDD storage up to 8TB or 1 e-SATA for External Storage

Configuration

FRONT



REAR



Specification

ITEM			SEV-R1600
Video	Input	Channel	Up to 16CH
		Type	Multi-brand ONVIF IP Camera Secubest Protocol (ONVIF will be added by the end of Oct.)
	Output		1 HDMI, 1 VGA, 1 BNC
Audio	Input		16 IPC
	Output		HDMI
	Audio Codec		Depends on IPC
Alarm	Sensor Input		4CH - EOL
	Alarm Out		1CH out - EOL
Display	Resolution(fps)		400/480fps@D1, 200/240fps@720p Max. 120fps@1080p
	Mode		16/9/4/1/ SEQ - LIVE, P.B
	Digital Zoom		Selected Area Maximize

ITEM		SEV-1600	
Recording	Compression	H.264	
	Resolution (NTSC/PAL)	400/480fps@D1, 200/240fps@720p Max. 120fps@1080p	
	Recording Mode	Continuous, Schedule, Motion, Sensor, Manual	
	Motion Detection	Setup by Grid (12 x 16)	
Playback	Digital Zoom	X1 ~ x16	
	Speed	FF	x1 ~ x32, x300
		FR	x1 ~ x32, x300
	Mode	Event only playback, Backward, Pause, Frame by frame, Panorama Go to first rec. time, Go to last rec. time, Go to last search time, Calendar, Log viewer, Smart search, Multi-time & day search, Event search	
Backup	File Format	Video clip (Backup viewer), JPEG Still Image Log list, Setup data	
	Media	USB2.0/Network	
	Built-in Viewer	Yes	
Network	Playback	Max. 120fps@1080p	
	Streaming	Self-developed Streaming Protocol	
	Protocols	HTTP, DDNS, NTP, SMTP	
Storage	HDD	Interface	SATA, e-SATA
		Max. Capacity of 1HDD	4TB
		Max. Internal HDDs	2EA
	External Storage	1 e-SATA	
	File system	Ext3	
	S.M.A.R.T	HDD Error Check	
User Interface	Menu Display	Graphic User Interface	
	Input Method	Front Buttons, IR Remote Control, Mouse, Keyboard Controller	
Serial	POS	1 RS-232C	
	Controller	2 RS-485 (Dual)	
Network	Ethernet	10/100/1000M	
	iSCS Recording	Yes	
Network Access	Web Viewer	Live, Search/Playback, PTZF, Remote Setup & Upgrade	
	Single-site monitoring software	Live, Search/Playback, Backup, PTZF, Remote Setup & Upgrade	
	Multi-sites monitoring software	Live, Search/Playback, Backup, PTZF, Remote Setup & Upgrade	
Features	Covert Channel	User can control the covert image for Privacy to specified user	
	End of Line Sensor	Allows DVR detect if sensor has been "tampered" or "failed".	
	E-mail / Capture	5 User with still image / 1080p	
	Multi Language	Yes	
	Software Upgrade	By USB, Network Remote Upgrade	
	NTP (Network Time Protocol)	Yes	
	Watermarking	Yes	
	Mobile Client	Android, iPhone, iPad	
	Mac Viewer for Client	Apple Mac OS	
General	Operation Temp / Humidity	5°C - 40°C / 10 ~ 80%	
	Power / Consumption	12V/5A - Level 5 / 40Watts	
	Weight (w/o HDD)	3Kg	
	Unit Dimension (W x D x H)	300mm x 340mm x 59mm	
	Certification	CE, FCC, RoHS Compliance	

WEB Client

- Up to 16 CH live and Playback
- Digital Zoom in live and Playback
- 1,4,9,16 Channel Mode
- Live - PTZ & Relay Control, Color adjustable, screen layout, bandwidth control, channel move, two way audio, Sequence(1,4,9,16)
- Playback - Timeline search, POS, Multi-time (manual), play speed control
- Export to print, AVI, Still image

Professional CMS Software

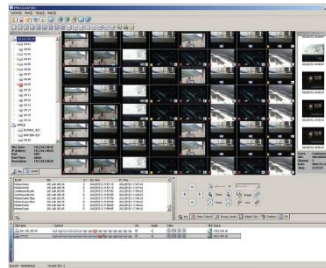
- Up to 288 CH Live and 16CH Playback
- Digital Zoom in live and playback
- 144 Ch mode in live and 1,4,9,16 Ch mode in playback
- Live - Multi session live recording, PTZ & Relay control, color adjustable, screen layout, bandwidth control, channel move, twoway audio, sequence(1,4,9,16), Second screen
- Playback - Timeline search, POS, Auto multi time, play speed control
- Export to print, AVI, still image
- Backup Player
- Alarm Manager
- Log Manager
- User group Manager



Web Live



Web Search



CMS Live



CMS Search

< Recommended Computer Specifications >

CPU - Intel Core I5, RAM-2GB, VGA - 512MB, HDD- 500MB, Windows XP Service pack 2, DirectX9.0