

SN-IPR57/80AKDN/Z

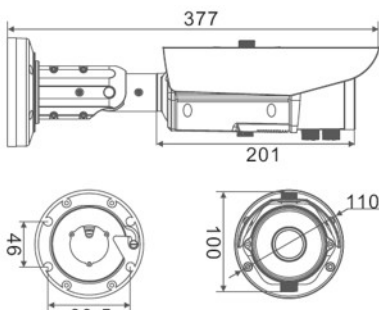
12MP Motorized Network Bullet Camera



Key features

- 1/1.7 " Sony Progressive Scan CMOS
- Motorized lens 4.1-12.8mm
- 12MP Resolution
- Triple Streams
- Smart IR Up to 80m
- Low bitrate ,Excellent low light performance
- 3D DNR,dWDR,ICR
- ROI,Defog,HLC,Corridor mode,DIS

Dimension



Accessories



SN-CBK627B



SN-CBK633

Specifications

CAMERA	
Image Sensor	1/1.7 " Progressive Scan CMOS
Min. illumination	Color :0.009Lux@(F1.2,AGC ON); B&W: 0Lux@(IR LED ON)
Day & Night	ICR
Shutter Speed	1/5s-1/20000s
Auto Iris	Yes
Wide Dynamic Range	dWDR
Digital Noise Reduction	2D/3D
Lens	4.1-12.8mm Motorized
FOV	98° -34.5°
IR LED	8pcs
IR Range	Up to 80m
IMAGE	
Video Compression	H.265/H.264/MJPEG
Bit Rate (CBR/VBR)	Main stream:500Kb-16Mb ; Sub stream 100Kb-6Mb
Audio Compression	G.711 ,RAW_PCM
Max. Resolution	4000*3000/20fps
Stream	Stream1 4000*3000/20fps;4096x2160/3840x2160/1920x1080/1280x720/30fps Stream2 D1/VGA/CIF Stream3 4000*3000 /4096*2160 /3840*2160 /1920*1080 /1280*720 /D1/VGA/CIF
Image Setting	Rotate Mode, Saturation, Brightness, Contrast, Sharpness
HLC	Yes
9:16 Corridor Mode	Yes
DIS	Auto
ROI	Yes
Defog	Yes
NETWORK	
Network Protocols:	IPv4,802.1x,HTTP,HTTPS,TCP/IP,UDP/IP,RTSP,DHCP,NTP, RTCP/RTP, PPPoE, SMTP, DNS, UPnP, FTP, ICMP ,IGMP, Unicast and Multicast
Alarm Trigger	Perimeter ,Single Virtual Fences ,Double Virtual Fences ,Loiter ,Multi Loiter ,Object Left ,Object Removed, Abnormal Speed ,Converse, Illegal Parking ,Signal Bad ,Motion Detection, Network disconnect, Disk alarm
RTSP Video	Standard RFC2326, Support QuickTime / VLC Player.
Security	User security authentication, Reset, Hardware Watch Dog
Web Language	English, Chinese, Polish, Italian, Portuguese, Spanish, Russian, French, Czech, Hungarian (Sunell Brand)
System Compatibility	Onvif
INTERFACE	
Ethernet	1 Ethernet (10/100 Base-T) RJ-45 Connector
Audio I/O	1ch Audio In,1ch Audio Out
Alarm I/O	1ch Alarm In,1ch Alarm Out
RS485	Yes
BNC Output	Yes
Reset Button	Yes
Edge Storage	Micro SD/SDHC/SDXC slot ,Max 128GB
GENERAL	
Power Supply	DC12V/POE
Power Consumption	Max11W
Operating Temperature	Starting Temperature: -30 °C – 60 °C (-22 °F – 140 °F) Working Temperature:-40 °C ~ 60 °C (-40 °F ~ 140 °F)
Operating Humidity	0% - 90% RH
Ingress Protection	IP67,IK10 optional
Approvals	CE / FCC
Product Dimensions	φ 110×377mm
Product Weight	1700g