

SN-IPS56/10BDR/ZSA20

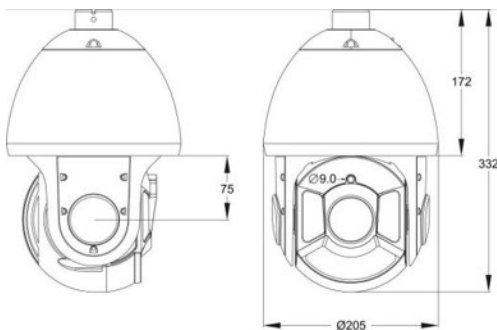
720P Network IR High Speed Dome



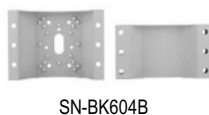
Key features

- 1/3" Progressive Scan CMOS
- 20X Optical Zoom, 16X Digital Zoom
- HD 720P
- Multiple Streams
- Smart IR Range 100m
- Low bitrate ,Good low light performance
- 3D DNR,dWDR,ICR

Dimension



Accessories



Specifications

CAMERA	
Image Sensor	1/3" Progressive Scan CMOS
Min. illumination	Color: 0.01Lux@(F1.2,AGC ON); B/W: 0Lux@(IR LED ON)
Day & Night	ICR
Shutter Speed	1/10000-1/50s
Auto Iris	Auto/Manual
Wide Dynamic Range	Yes
Digital Noise Reduction	2D/3D
Lens	Sunell 20X Module , 4.1-82mm
Digital Zoom	16X
FOV	58.7° -3.2°
IR LED	8 pcs
IR Range	100m
Pan/Tilt	Pan 0-360° ,Tilt -10-90°
Pan/Tilt Speed	Pan 0.01-180° /s ,Tilt 0.01-90° /s , Preset Speed Pan: 180°/s, Tilt: 90°/s;
Preset/Tour/Scan/Track	300/12/12/6
IMAGE	
Video Compression	H.264 High/Main/Baseline Profile, MJPEG
Bit Rate (CBR/VBR)	Main stream:200kb-8Mkb ;Sub stream 100kb-6Mkb
Audio Compression	G.711 ,RAW_PCM
Max. Resolution	1280x720/30fps
Stream	Stream1 1280x720 Stream 2 D1 to QVGA
Image Setting	Rotate Mode, Saturation, Brightness, Contrast, Sharpness
HLC	Yes
ROI	Yes
Defog	Yes
NETWORK	
Network Protocols:	IPv4,RTP/RTCP,TCP/UDP,HTTPS,DHCP,DNS,FTP,DDNS,PPPOE,SMT P
Alarm Trigger	Motion,Instrusion,LineCrossing,Tamper,Networkdisconnect,Diskalarm,I/O alarm
RTSP Video	Standard RFC2326, Support QuickTime / VLC Player.
Security	User security authentication, Reset, Hardware Watch Dog
Web Language	English, Chinese, Polish, Italian, Portuguese, Spanish, Russian, French, Czech, Hungarian (Sunell Brand)
System Compatibility	Onvif
INTERFACE	
Ethernet	I1 Ethernet (10/100 Base-T) RJ-45 Connector
Audio I/O	1ch Audio In,1ch Audio Out
Alarm I/O	7ch Alarm In,2ch Alarm Out
RS485	N/A
BNC Output	N/A
Reset Button	YES(Built-In)
Edge Storage	Micro SD/SDHC/SDXC slot(Built-in),Max 64GB
GENERAL	
Power Supply	AC24V/2.5A
Power Consumption	MAX 30W
Operating Temperature	Starting Temperature: -30 °C~ 60 °C (-22 °F ~ 140 °F) Working Temperature: -40 °C ~ 60 °C (-40 °F ~ 140 °F)
Operating Humidity	0% - 90% RH
Protection	IP66,TVS6000V
Approvals	CE / FCC
Product Dimensions	Φ205x332mm
Product Weight	4.3KG