

# SN-IPS57/21BDR/ZSC30

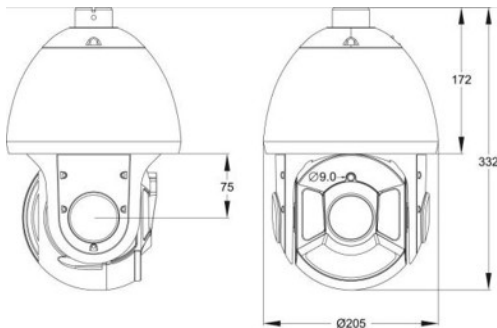
# 2MP Starlight IR High Speed Dome



### Key features

- 1/1.9" Progressive Scan CMOS
- 30X Optical Zoom, 16X Digital Zoom
- Full HD 1080P Starlight 0.0001Lux
- Smart IR Range 150m
- 3D DNR, dWDR, ICR
- Anti-reflection optical glass to increase infrared transmittance

### Dimension



### Accessories



### Specifications

CAMERA	
Image Sensor	1/1.9" Progressive Scan CMOS
Min. illumination	Color: 0.001Lux@(F1.2,AGC ON); B/W: 0Lux@( IR LED ON)
Day & Night	ICR
Shutter Speed	1/1-1/30000s
Auto Iris	Auto/Manual
Wide Dynamic Range	dWDR
Digital Noise Reduction	3D
Lens	Sunell 30X Module , 6~180mm
Digital Zoom	16X
FOV	59.8° ~2.3°
IR LED	8 pcs
IR Range	150m
Pan/Tilt	Pan 0-360° ,Tilt -10-90°
Pan/Tilt Speed	Pan: 0.01° /s ~180° /s ,Tilt: 0.01° /s ~90° /s , Preset Speed Pan:180° /s ,Tilt:90° /s
3D Position	YES
Coordinate Display	YES
Preset/Tour/Scan/Track	400/12/12/6
IMAGE	
Video Compression	H.265,H.264 High/Main/Baseline Profile, MJPEG
Bit Rate (CBR/VBR)	Main stream: 500kbps~12Mbps; Sub stream: 100kbps~6Mbps
Audio Compression	G.711 ,RAW_PCM
Max. Resolution	1920x1080/30fps
Stream	Stream1 1920x1080,1280x720 Stream 2 D1/CIF/QCIF/VGA/QVGA/640x360
Image Setting	Rotate Mode, Saturation, Brightness, Contrast, Sharpness
HLC	Yes
ROI	Yes
Defog	Yes
NETWORK	
Network Protocols:	IPv4,802.1x,HTTP,HTTPS,TCP/IP,UDP/IP,RTSP,DHCP,NTP, RTCP/RTP, PPPoE, SMTP, DNS, UPnP, FTP, ICMP ,IGMP, Unicast and Multicast.
Alarm Trigger	Perimeter ,Single Virtual Fences ,Double Virtual Fences ,Loiter ,Multi Loiter ,Object Left ,Object Removed, Abnormal Speed ,Converse, Illegal Parking ,Signal Bad ,Motion Detection, Network disconnect, Disk alarm, I/O alarm
RTSP Video	Standard RFC2326, Support QuickTime / VLC Player.
Security	User security authentication, Reset, Hardware WatchDog
Web Language	English, Chinese, Polish, Italian, Portuguese, Spanish, Russian, French, Czech, Hungarian (Sunell Brand)
System Compatibility	Onvif
INTERFACE	
Ethernet	I1 Ethernet (10/100 Base-T) RJ-45 Connector
Audio I/O	1ch Audio In,1ch Audio Out
Alarm I/O	7ch Alarm In,2ch Alarm Out
RS485	YES
BNC Output	YES
Reset Button	YES(Built-In)
Edge Storage	Micro SD/SDHC/SDXC slot(Built-in),Max 128GB
GENERAL	
Power Supply	AC24V/2.5A
Power Consumption	MAX 40W
Operating Temperature	Starting Temperature: -30 °C~ 60 °C (-22 °F ~ 140 °F) Working Temperature: -40 °C ~ 60 °C (-40 °F ~ 140 °F)
Operating Humidity	0% - 90% RH
Protection	IP66,TVS6000V
Approvals	CE / FCC
Product Dimensions	Φ205x332mm
Product Weight	4.3KG