

# SN-IPV56/60HDR

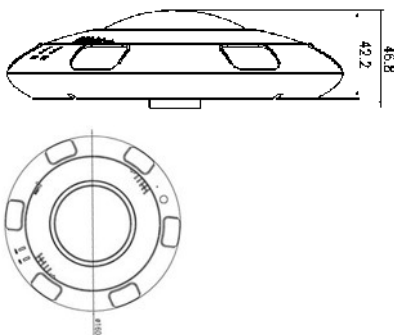
# 6MP Fisheye Camera



### Key features

- 1/1.8" Progressive Scan CMOS
- 6MP Resolution
- Unique De-warping Image
- Low bitrate ,Excellent low light performance
- 3D DNR,dWDR,ICR,HLC
- Smart IR Up to 10m

### Dimension



### Accessories



SN-CBK636



SN-CBK637



SN-CBK633



SN-CBK627B



SN-CBK626

### Specifications

CAMERA	
Image Sensor	1/1.8" Progressive Scan CMOS
Min. illumination	Color :0.01Lux@(F1.2,AGC ON);B/W: 0 Lux@(IR LED ON)
Day & Night	ICR
Shutter Speed	1/5-1/50000
Auto Iris	N/A
Wide Dynamic Range	dWDR
Digital Noise Reduction	2D/3D
Lens	1.6mm
FOV	360 degrees
IR LED	6pcs
IR Range	Up to 10m
IMAGE	
Video Compression	H.264 High/Main/Baseline Profile, MJPEG
Bit Rate (CBR/VBR)	500kb-12000kb
Audio Compression	G.711 ,RAW_PCM
Max. Resolution	3072*2048@15fps
Stream	Stream1 3072*2048@15fps ,1920*1920/1440*1440/1920*1080@20fps Stream 2 1280*1280/720*720/D1@15fps/25fps/30fps
Image Setting	Rotate Mode, Saturation, Brightness, Contrast, Sharpness
De-warping	1F+3/5/7,4PTZ,Fisheye,180/360 degrees panorama
HLC	Yes
9:16 Corridor Mode	N/A
DIS	N/A
ROI	N/A
Defog	N/A
NETWORK	
Network Protocols:	IPv4,802.1x,HTTP,HTTPS,TCP/IP,UDP/IP,RTSP,DHCP,NTP, RTCP/RTP, PPPoE, SMTP, DNS, UPnP, FTP, ICMP ,IGMP, Unicast and Multicast
Alarm Trigger	Motion detection, Network disconnect, Disk alarm ,I/O alarm
RTSP Video	Standard RFC2326, Support QuickTime / VLC Player.
Security	User security authentication, Reset, Hardware Watch Dog
Web Language	English, Chinese, Polish, Italian, Portuguese, Spanish, Russian, French, Czech, Hungarian (Sunell Brand)
System Compatibility	Onvif
INTERFACE	
Ethernet	1 Ethernet (10/100 Base-T) RJ-45 Connector
Microphone	Yes ( Built-in )
Audio I/O	1ch Audio In,1ch Audio Out
Alarm I/O	1ch Alarm In,1ch Alarm Out
RS485	N/A
BNC Output	N/A
Reset Button	Yes
Edge Storage	Micro SD/SDHC/SDXC slot ,Max 64GB
GENERAL	
Power Supply	AC24V/DC12V/POE
Power Consumption	5W IR LED OFF;8W IR LED ON
Operating Temperature	Starting Temperature: -30 °C~ 60 °C (-22 °F ~ 140 °F) Working Temperature:-40 °C ~ 60 °C (-40 °F ~ 140 °F)
Operating Humidity	0% - 90% RH
Ingress Protection	IP67
Approvals	CE / FCC
Product Dimensions	φ 160*46.8mm
Product Weight	700g