

SN-IPR57/02FVD

2MP Network IR Eyeball



- 1/2.7" Progressive Scan CMOS
- 3.6mm
- 25fps/30fps@2MP(1920*1080)
- Triple Streams
- Smart IR Up to 20m
- Low bitrate ,Excellent low light performance
- WDR,3D DNR
- ROI, Defog, HLC, Corridor mode, DIS
- IP66

System Overview

Eco series products by upgrading H.265 encoding technology, bringing high efficient video compression. It saves bandwidth and storage, energy-saving design to enhance the monitoring system. Meanwhile, the series offers features such as Smart IR technology, intelligent image analysis techniques. It provides excellent image quality and intelligent and efficient event reminders. This series provides IP66 weatherproof and IK10 vandal-proof protection feature.

Functions

Wide Dynamic Range

Embedded with industry leading wide dynamic range (WDR) technology, vivid pictures are achieved even in the most intense contrast lighting conditions. For applications with both bright and low lighting conditions that change quickly, true WDR (120dB) optimizes both the bright and dark areas of a scene at the same time to provide usable video.

Intelligent Video System (IVS)

With built-in intelligent video analytics, the camera has the ability to detect and analyze moving objects for improved video surveillance. The camera provides optional standard intelligence at the edge allowing detection of Perimeter, Single Virtual Fences, Double Virtual Fences, Loiter, Multi Loiter, Object Left, Object Removed, Abnormal Speed, Converse, Illegal Parking, Signal Bad.

Environmental

With a temperature range of -30 °C to +50 °C (-22 °F to +122 °F), the camera is designed for extreme temperature environments. Subjected and certified to rigorous dust and water immersion tests, the IP67 rating makes it suitable for demanding outdoor applications.

Smart Encode (H.265+)

Deliver high quality video without straining the network, Smart Encode H.265+ is the optimized implementation of H.265. The Smart H.265+ encoding technology includes a scene adaptive encoding strategy, dynamic GOP, dynamic ROI, flexible multi-frame reference structure and intelligent noise reduction, providing saving of up to 70% of bandwidth and storage when compared with standard H.265.

HEVC (H.265)

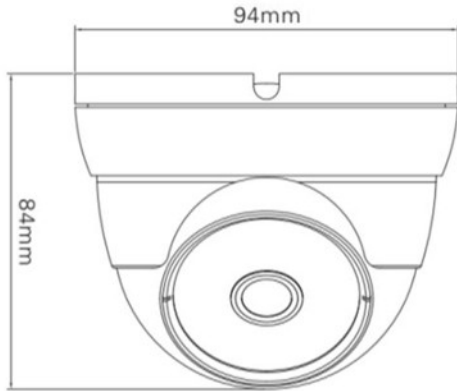
H.265 ITU-T VCEG is a new video coding standard. H.265 Following standard developed around the existing video coding standard H.264, some retain the original technology, while some of the relevant technology to improve the new technology uses advanced technology to improve the relationship between the code stream, encoding quality, and the delay between algorithm complexity, optimize settings specific contents include: Improve compression efficiency, improve the robustness and error recovery capabilities, real-time to reduce the delay, reduce channel acquisition time and a random access delay, reduce complexity.

Technical Specification

Camera	
Image Sensor	1/2.7" Progressive Scan CMOS
Effective Pixels	1920(H)x1080(V)
Scanning System	Progressive
Electronic Shutter	1/5-1/20000s
Min. illumination	Color:0.01Lux@(F1.2,AGC ON) , B/W:0Lux@(IR LED ON)
S/N Ratio	55dB
IR Range	Up to 20m
IR On/Off Control	Auto/ Manual
IR LEDs	18pcs
Pan/Tilt/Rotation Range	Pan:0°~360°, Tilt:0°~90°, Rotation:0°~360°
Lens	
Lens Type	Fixed
Iris	Fixed Iris
Focal Length	3.6mm
F Number	F2.0
Angle of View	85°
Focus Control	Fixed
Close Focus Distance	0.5m
Video	
Compression	H.265,H.265,MJPEG
Max. Resolution	1080P(1920x1080)
Streaming Capability	3 Streams
Stream / Frame Rate	Stream1: 1920x1080/1280x720 @25/30fps Stream2: D1/VGA/640x360/CIF/QVGA @25/30fps Stream3: VGA/CIF/QVGA @25/30fps
Bit Rate Control	CBR/VBR
Bit Rate	Stream1: 500kbps~12000kbps Stream2: 100kbps~6000kbps Stream3: 100kbps~3000kbps
Day/Night	ICR
Image Enhancement	HLC / Defog / WDR (120dB)
White Balance	Support
Gain Control	Auto/Manual
Noise Reduction	2D/3D DNR
Electronic Image Stabilization(EIS)	Support
Smart IR	Support
Mirror	Support

Region of Interest	Support
Motion Detection	Support
Privacy Masking	Support
Audio	
Compression	N/A
Bit Rate	N/A
Network	
Protocols:	IPv4/IPv6, 802.1x, HTTP, HTTPS, TCP/IP, UDP/IP, RTSP, DHCP, NTP, RTCP/RTP, PPPoE, SMTP, DNS, UPnP, FTP, ARP, SNMP
Interoperability	ONVIF
Streaming Method	Unicast
Max. User Access	10 Users
Web Viewer	<IE11, Chrome, Firefox
Management Software	IMS 3.0
Smart Phone	IOS, Android
Intelligence	
IVS	Perimeter, Single Virtual Fences, Double Virtual Fences, Loiter, Multi Loiter, Object Left, Object Removed, Abnormal Speed, Converse, Illegal Parking, Signal Bad
Interface	
Ethernet	1 Ethernet (10/100 Base-T) RJ-45 Connector
Audio Interface	N/A
Alarm	N/A
RS485	N/A
BNC Output	N/A
Reset Button	N/A
Edge Storage	N/A
Electrical	
Power Supply	DC12V/POE
Power Consumption	2.5W(IR LED OFF), 5W (IR LED ON)
Operating Temperature	Starting Temperature: -30°C ~ 50°C (-22°F ~ 122°F) Working Temperature: -30°C ~ 50°C (-22°F ~ 122°F)
Operating Humidity	Less than 90% RH
Ingress Protection	IP67
Certifications	CE / FCC
Casing	Metal
Dimensions	Φ94x84mm
Net Weight	350g

Dimensions(mm)



Accessories

Optional:



SN-BK322B
Junction Box



SN-CBK629A
Junction Box



SN-CBK646A
Junction Box



SN-BK345
Wall bracket