

SN-IPR57/04ACDN

4MP Network IR Mini Eyeball



- 1/3" Progressive Scan CMOS
- 2.8mm(3.6mm optional)
- 25fps/30fps@4MP(2592*1520)
- Triple Streams
- Smart IR Up to 30m
- Low bitrate ,Excellent low light performance
- WDR,3D DNR
- ROI, Defog, HLC, Corridor mode, DIS
- IP67

System Overview

Eco series products by upgrading H.265 encoding technology, bringing high efficient video compression. It saves bandwidth and storage, energy-saving design to enhance the monitoring system. Meanwhile, the series offers features such as Smart IR technology, intelligent image analysis techniques. It provides excellent image quality and intelligent and efficient event reminders. This series provides IP66 weatherproof and IK10 vandal-proof protection feature.

Functions

Wide Dynamic Range

Embedded with industry leading wide dynamic range (WDR) technology, vivid pictures are achieved even in the most intense contrast lighting conditions. For applications with both bright and low lighting conditions that change quickly, true WDR (120dB) optimizes both the bright and dark areas of a scene at the same time to provide usable video.

Intelligent Video System (IVS)

With built-in intelligent video analytics, the camera has the ability to detect and analyze moving objects for improved video surveillance. The camera provides optional standard intelligence at the edge allowing detection of Perimeter, Single Virtual Fences, Double Virtual Fences, Loiter, Multi Loiter, Object Left, Object Removed, Abnormal Speed, Converse, Illegal Parking, Signal Bad.

Environmental

With a temperature range of -30 °C to +50 °C (-22 °F to +122 °F), the camera is designed for extreme temperature environments. Subjected and certified to rigorous dust and water immersion tests, the IP67 rating makes it suitable for demanding outdoor applications.

Smart Encode (H.265+)

Deliver high quality video without straining the network, Smart Encode H.265+ is the optimized implementation of H.265. The Smart H.265+ encoding technology includes a scene adaptive encoding strategy, dynamic GOP, dynamic ROI, flexible multi-frame reference structure and intelligent noise reduction, providing saving of up to 70% of bandwidth and storage when compared with standard H.265.

HEVC (H.265)

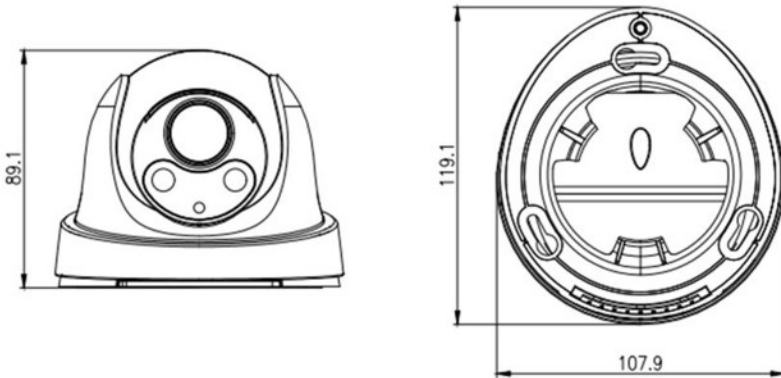
H.265 ITU-T VCEG is a new video coding standard. H.265 Following standard developed around the existing video coding standard H.264, some retain the original technology, while some of the relevant technology to improve the new technology uses advanced technology to improve the relationship between the code stream, encoding quality, and the delay between algorithm complexity, optimize settings specific contents include: Improve compression efficiency, improve the robustness and error recovery capabilities, real-time to reduce the delay, reduce channel acquisition time and a random access delay, reduce complexity.

Technical Specification

| Camera | |
|-------------------------------------|--|
| Image Sensor | 1/3" Progressive Scan CMOS |
| Effective Pixels | 2592(H)x1520(V) |
| Scanning System | Progressive |
| Electronic Shutter | 1/5-1/20000s |
| Min. illumination | Color:0.05Lux@(F1.2,AGC ON) , B/W:0Lux@(IR LED ON) |
| S/N Ratio | 55dB |
| IR Range | Up to 30m |
| IR On/Off Control | Auto/ Manual |
| IR LEDs | 2pcs |
| Pan/Tilt/Rotation Range | Pan:0°~355°, Tilt:0°~90°, Rotation:0°~360° |
| Lens | |
| Lens Type | Fixed |
| Iris | Fixed Iris |
| Focal Length | 2.8mm(3.6mm optional) |
| F Number | F2.0 |
| Angle of View | 90° |
| Focus Control | Fixed |
| Close Focus Distance | 0.5m |
| Video | |
| Compression | H.265,H.265,MJPEG |
| Max. Resolution | 4MP(2592x1520) |
| Streaming Capability | 3 Streams |
| Stream / Frame Rate | Stream1: 2592x1520/2560x1440/2304x1296/ 1920x1080/1280x720 @25/30fps Stream2: D1/VGA/640x360/CIF/QVGA @25/30fps Stream3: VGA/CIF/QVGA @25/30fps |
| Bit Rate Control | CBR/VBR |
| Bit Rate | Stream1: 500kbps~12000kbps Stream2: 100kbps~6000kbps Stream3: 100kbps~3000kbps |
| Day/Night | ICR |
| Image Enhancement | HLC / Defog / WDR (120dB) |
| White Balance | Support |
| Gain Control | Auto/Manual |
| Noise Reduction | 2D/3D DNR |
| Electronic Image Stabilization(EIS) | Support |
| Smart IR | Support |
| Mirror | Support |

| Region of Interest | Support |
|-----------------------|---|
| Motion Detection | Support |
| Privacy Masking | Support |
| Audio | |
| Compression | N/A |
| Bit Rate | N/A |
| Network | |
| Protocols: | IPv4/IPv6, 802.1x, HTTP, HTTPS, TCP/IP, UDP/IP, RTSP, DHCP, NTP, RTCP/RTP, PPPoE, SMTP, DNS, UPnP, FTP, ARP, SNMP |
| Interoperability | ONVIF |
| Streaming Method | Unicast |
| Max. User Access | 10 Users |
| Web Viewer | <IE11, Chrome, Firefox |
| Management Software | IMS 3.0 |
| Smart Phone | IOS, Android |
| Intelligence | |
| IVS | Perimeter, Single Virtual Fences, Double Virtual Fences, Loiter, Multi Loiter, Object Left, Object Removed, Abnormal Speed, Converse, Illegal Parking, Signal Bad |
| Interface | |
| Ethernet | 1 Ethernet (10/100 Base-T) RJ-45 Connector |
| Audio Interface | N/A |
| Alarm | N/A |
| RS485 | N/A |
| BNC Output | N/A |
| Reset Button | N/A |
| Edge Storage | N/A |
| Electrical | |
| Power Supply | DC12V/POE |
| Power Consumption | 5W(IR LED OFF), 7W (IR LED ON) |
| Operating Temperature | Starting Temperature: -30°C ~ 50°C (-22°F ~ 122°F) Working Temperature: -30°C ~ 50°C (-22°F ~ 122°F) |
| Operating Humidity | Less than 90% RH |
| Ingress Protection | IP67 |
| Certifications | CE / FCC |
| Casing | Metal |
| Dimensions | 119.1x107.9x89.1mm |
| Net Weight | 430g |

Dimensions(mm)



Accessories

Optional:



SN-CBK633
Junction Box



SN-CBK646A
Junction Box