

SN-SSP13/66CDR/ZX10

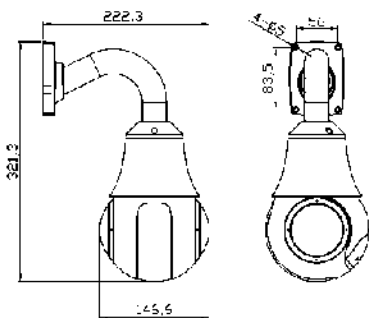
1080P HD Analogue IR Mini PTZ



Key features

- Powerful 10x optical zoom
- AHD Lossless video output
- Max.25/30fps@1080p resolution
- ICR, dWDR, 3D DNR, Auto iris, Auto focus, HLC, BLC, Mirror
- OSD menu with humanized design, easy for operation
- Max 45°/s pan speed, 360° endless rotation
- Up to 128 presets, 4 auto scan, 4 tour, 4 pattern, clock functions

Dimension



Accessories



Specifications

CAMERA	
Image Sensor	1/2.9" SONY CMOS Sensor
Effective Pixels	1920(H)*1080(V)
Signal System	PAL/NTSC
Min. illumination	Color: 0.1Lux@(F1.2,AGC ON); B/W: 0Lux@(IR LED ON)
Day & Night	ICR
Shutter Speed	PAL:1/50-1/50000s ; NTSC 1/60-1/60000s
Auto IRIS	Auto
Wide Dynamic Range	dWDR
Digital Noise Reduction	2D/3D
S/N Ratio	>58dB
Lens	10X Optical Zoom , f=5.1mm~51mm
FOV	Appr.55.2° (Wide) to 3.2° (Tele)
IR LED	4pcs
IR Range	60m
Up the Coax	Support
Alarm I/O	Optional (4ch Alarm In, 1ch Alarm Out)
IMAGE	
Resolution	1080P
Mirror	Support
BLC	Support
HLC	Support
Motion Detection	N/A
PTZ	
Rotation	Pan continuously 360° , tilt 0~90° with auto-flip
Manual speed	Pan: 0.1° ~200° /s ; Tilt: 0.1° ~180° /s
Preset speed	45°/S
Auto Flip	Horizontal 180°, Vertical 93°
Preset	128 preset
Scan	4 scan
Guard Tours	4 tour
Communication	Control over coaxial & RS485 (Pelco-D, Pelco-P)
GENERAL	
Power Supply	Standard DC12V/2.7A
Power Consumption	≤20W
Temperature	-10°C ~ 55°C (14°F ~ 131°F) / -30 °C~60 °C (-22 °F~140 °F) with heater
Operating Humidity	0~95% (Non-condensation)
Protection grade	IP66, 1500V Lightning-proof, Surge-proof,
Product Weight	2.3KG