

SN-TPT4200ZM(II)

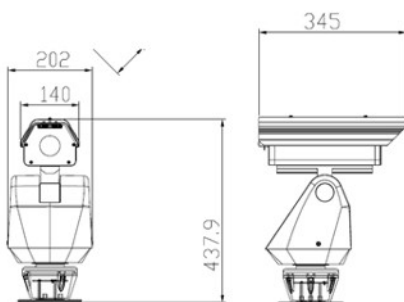
Temperature Detection Thermal Middle IP PTZ



Key features

- Uncooled IRFPA Microbolometer
- Temperature detection
- Effective resolution 396x264
- Sensitivity 50mK
- 15mm to 50mm lens optional
- Motorized Lens optional
- Infrared detection wavelength 8-14um
- Support 8 area temperature Detection
- Support 17 Polarity Control
- Support DVE image Enhance
- Standalone Operating

Dimension



Accessories

N/A

Specifications

| CAMERA | |
|---|--|
| Detector Type | Long-Life, Uncooled IRFPA Microbolometer |
| Effective Resolution | 396x264 |
| Pixel Pitch | 20μm |
| Sensitivity | 50mK |
| Spectral Range | 8 to 14μm |
| Temperature Response | 30ms |
| Thermal Lens | F1.0, 15mm, 25mm, 35mm, 50mm, optional Motorized 25mm, 50mm |
| Focus | Manual/Motorized |
| FOV(Fixed Lens) | 24°×18°/14.6°×11°/10.5°×7.8°/7.3°×5.5° |
| Temperature Detect Distance(Fire) | 300m(Lens:15mm) / 500m(Lens:25mm) / 1000m(Lens:35mm) / 1500m(Lens:50mm) |
| Fixed Lens Recognition Distance (Body) | 200/300/450/650m |
| Fixed Lens Recognition Distance(Vehicle) | 350/600/850/1200m |
| Motorized Lens Recognition Distance (Body) | 300/650m |
| Motorized Lens Recognition Distance (Vehicle) | 600/1200m |
| IMAGE | |
| Video Compression | H.264 High/Main/Baseline Profile, MJPEG |
| Bit Rate (CBR/VBR) | 500Kb~4Mb |
| Audio Compression | G.711 ,RAW_PCM,NONE |
| Thermal Resolution | D1/30fps |
| Stream | D1 /CIF |
| Image Color Mode | Black-Heat /White-Heat/Rainbow/Iron-Red up to 17 modes |
| DVE Image Enhance | Yes |
| 3D Noise Reduce | Yes |
| Image Correction | Auto/Manual/External |
| Image Overturn | Horizontal /Vertical /Horizontal+Vertical |
| NETWORK | |
| Network Protocols: | IPv4/v6, RTSP/RTP/RTCP, TCP/UDP, HTTP, DHCP, DNS, FTP, DDNS, PPPOE, SMTP, SIP |
| Alarm Trigger | Temperature Alarm, Motion Detection, Network disconnect, Disk alarm ,I/O alarm |
| RTSP Video | Standard RFC2326, Support QuickTime / VLC Player. |
| Security | User security authentication, Reset, Hardware WatchDog |
| Web Language | English, Chinese |
| System Compatibility | Onvif |
| INTERFACE | |
| Ethernet | 1 Ethernet (10/100 Base-T) RJ-45 Connector |
| Audio I/O | Optional |
| Alarm I/O | Optional |
| RS485 | Yes |
| BNC Output | Yes |
| Reset Button | Yes(built in) |
| Edge Storage | Micro SD/SDHC slot ,Max 32GB |
| GENERAL | |
| Power Supply | AC24V ± 10% |
| Power Consumption | 30W |
| Operating Temperature | -25 °C ~ 55 °C (-13 °F ~ 131 °F) |
| Ingress Protection | IP66 |
| Approvals | CE / FCC |
| Product Dimensions | 345x202x445mm |
| Product Weight | 10kg |