

SN-TPT4230LM(II)

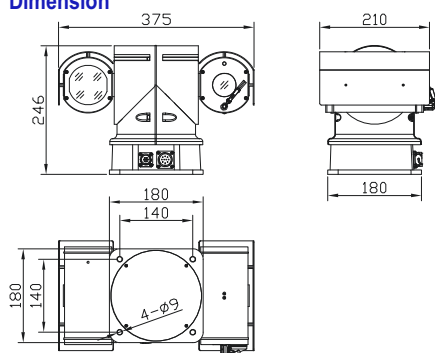
Temperature Detection Thermal IP PTZ



Key features

- Uncooled IRFPA Microbolometer
- Temperature detection
- Effective resolution 396x264
- Sensitivity 50mK
- 15/25/35/50mm lens optional
- Motorized Lens optional
- Vision Optical Zoom 30X
- Infrared detection wavelength 8-14um
- Support 8 area temperature Detection
- Support 17 Polarity Control
- Support DVE image Enhance

Dimension



Accessories



Vehicle Bracket



Wall Mounting Bracket

Specifications

CAMERA	
Detector Type	Long-Life, Uncooled IRFPA Microbolometer
Effective Resolution	396x264
Pixel Pitch	20μm
Sensitivity	50mK
Spectral Range	8 to 14μm
Temperature Response	30ms
Vision Lens	30X Optical Zoom, 4.3-129mm
Thermal Lens	F1.0, 15mm, 25mm, 35mm, 50mm optional Motorized 25mm, 50mm optional
Focus	Manual/Motorized
FOV(Fixed Lens)	24°×18°/14.6°×11°/10.5°×7.8°/7.3°×5.5°
Temperature Detect Distance(Fire)	300m(Lens:15mm) / 500m(Lens:25mm) / 1000m(Lens:35mm) / 1500(Lens:50mm)
Fixed Lens Recognition Distance (Body)	200/300/450/650m
Fixed Lens Recognition Distance(Vehicle)	350/600/850/1200m
Motorized Lens Recognition Distance (Body)	300/650m
Motorized Lens Recognition Distance (Vehicle)	600/1200m
IMAGE	
Video Compression	H.264 High/Main/Baseline Profile, MJPEG
Bit Rate (CBR/VBR)	500Kb~10Mb
Audio Compression	G.711 ,RAW_PCM,NONE
Thermal Resolution	D1/30fps
Vision Resolution	1080P/30fps
Stream	D1/CIF
Image Color Mode	Black-Heat /White-Heat/Rainbow/Iron-Red up to 17 modes
DVE Image Enhance	Yes
3D Noise Reduce	Yes
Image Correction	Auto/Manual/External
Image Overturn	Horizontal /Vertical /Horizontal+Vertical
NETWORK	
Network Protocols:	IPv4/v6, RTSP/RTP/RTCP, TCP/UDP, HTTP, DHCP, DNS, FTP, DDNS, PPP OE, SMTP, SIP
Alarm Trigger	Temperature Alarm, Motion Detection, Network disconnect, Disk alarm, I/O alarm
RTSP Video	Standard RFC2326, Support QuickTime / VLC Player.
Security	User security authentication, Reset, Hardware WatchDog
Web Language	English, Chinese
System Compatibility	Onvif
INTERFACE	
Ethernet	1 Ethernet (10/100 Base-T) RJ-45 Connector
Audio I/O	Optional
Alarm I/O	Optional
RS485	Yes
BNC Output	Yes
Reset Button	Yes(built-in)
Edge Storage	Micro SD/SDHC slot ,Max 32GB
GENERAL	
Power Supply	DC9-DC36V ,AC24V optional
Power Consumption	30W(MAX)
Operating Temperature	-25 °C ~ 55 °C (-13 °F ~ 131 °F)
Ingress Protection	IP66
Approvals	CE / FCC
Product Dimensions	210x246x375mm
Product Weight	10kg