

# DX4700/DX4800 Series H.264 Hybrid Video Recorders

## 10- AND 18-CHANNEL HVR WITH HD, REAL-TIME RECORDING

### Product Features

- Supports 2 Megapixel (MPx) IP Channels
- 8 or 16 Looping Analog Channels Plus 2 IP Cameras, up to 3 Megapixels (MPx) Each
- Up to 30/25 Images Per Second (ips) Recording for IP Cameras up to 4 Mbps
- Up to 30/25 ips at 4CIF Resolution Analog Recording on DX4800
- Up to 4CIF Recording Resolution, 704 x 480 (NTSC), 704 x 576 (PAL)
- Up to 8 TB Internal Storage Capacity
- Up to 4 Audio Inputs and 2 Audio Outputs
- 1 Bidirectional Audio Output
- DX Series Client Simultaneous Connects to DX Series DVRs/HVRs
- Support for Coaxitron® and Pelco's KBD300A Keyboard for Pan/Tilt/Zoom (PTZ) Control of Analog Cameras

**DX4700/DX4800 Series** H.264 hybrid video recorders (HVRs) bring a new range of performance and capability to the Pelco DX Series product line, including support for 8 or 16 analog channels plus two IP cameras (up to 3 MPx each). Customers can now benefit from megapixel image detail where they need it most. For example, customers can monitor registers, cash counting operations, high-value merchandise areas, or lobbies and entrances while still receiving maximum value from existing analog cameras and cabling.

Customers who have continued requirements for 8 or 16 analog cameras and want to expand their systems with megapixel IP recording, have a cost-effective solution in the **DX4700/DX4800 Series**. The ability to support two Pelco megapixel IP cameras, or Axis® cameras, gives customers new power and flexibility in their IP migration path.

**DX4700/DX4800 Series** HVRs give customers the ability to record at the speed and resolution they need. Both models record up to 30 ips on all channels. In addition, the DX4800 adds the ability to record full frame rate video at 4CIF resolution for all cameras. With this kind of recording power, previous analog investments gain extended life.

**DX4700/DX4800 Series** HVRs provide unparalleled storage selections for systems in this class. With up to 8 TB of internal storage, you can overcome the higher storage demands of megapixel and high speed recording without sacrificing speed for resolution.

**DX4700/DX4800 Series** HVRs also match security requirements to storage needs with the unique HDD partitioning feature, which allocates individual disk partitions for normal and alarm recording.



And, you can ease storage costs for backup video by using optional, external USB-attached HDD enclosures up to 1 TB (available from local electronics retailers).

**DX4700/DX4800 Series** HVRs provide the unique ability to leverage installed systems: the new DX Series remote client provides operational functionality for DX4000 and DX8000 Series DVRs/HVRs, and the optional DS ControlPoint software allows integration with DX Series products as well as Digital Sentry® systems.

**DX4700/DX4800 Series** is full-featured and meets the needs of a wide range of customers. Retail, branch office customers, and others will benefit from its robust capabilities including the ability to capture and overlay ATM/POS text with video recording, access instant playback for quick investigative work, and the use of bidirectional audio for enhanced security.

The **DX4700/DX4800 Series** reduces installation overhead with out of the box recording. An intuitive interface makes custom installation easy and reduces learning time for end customers.

With a wide new range of capabilities, **DX4700/DX4800 Series** H.264 HVRs well suit the needs of existing analog markets and become an integral part of an efficient megapixel IP migration strategy.



by Schneider Electric

International Standards  
Organization Registered Firm,  
ISO 9001 Quality System



C4675 / REVISED 3-13-11

# TECHNICAL SPECIFICATIONS

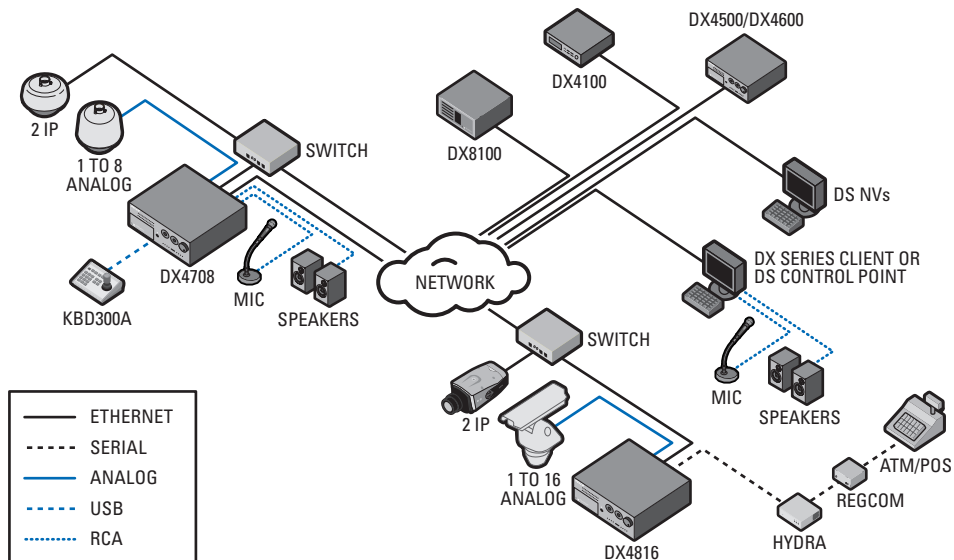
## APPLICATIONS

The **DX4700/DX4800 Series** is perfect for customers who want higher resolution images than analog cameras can provide for specific critical areas of their business, including cash-counting, cashiers, entry/exit, or high-value merchandise areas.

Client-to-server connectivity allows operation from a remote location and can connect to as many as 100 DX Series systems simultaneously. Up to 100 systems can be added to the DX Series client site tree. Multiple DX Series clients, running on dispersed computers, can host a variety of servers in their respective site trees. The DX Series client can operate multiple DX Series systems including **DX4700/DX4800**, **DX4100**, **DX4500/DX4600**, **DX8000**, and **DX8100** systems. Each server supports five simultaneous remote connections. The optional DS ControlPoint client can be used to simultaneously operate any of the current DX Series systems as well as any Integral or Digital Sentry DVR/HVR.

DX Series DVRs and HVRs offer the flexibility to meet the size and performance of industry video recording requirements. For example, small sites can use **DX4100** to record and display video from 1 to 4 cameras; medium-sized sites can use **DX4500/DX4600** to record and display video from 8 or 16 cameras. **DX4700/DX4800** expands security by adding the value of two megapixel cameras to an analog environment of 8 or 16 cameras and the performance of 4CIF/30 ips for the **DX4800 Series**. Both the **DX4700/DX4800** and **DX8100 Series** units support ATM/POS recording.

The **DX4700/DX4800 Series** provides valuable audio recording capabilities for those applications where policy and legislation allow. Bidirectional audio is an excellent tool for training or for an increased security presence. With up to four audio inputs and two audio outputs, full recording, search, export, and playback capabilities are available at the server. IP streams can be viewed in standard resolution at the server and in megapixel resolution at the client.



**IMPORTANT NOTE. PLEASE READ.** The network implementation is shown as a general representation only and is not intended to show a detailed network topology. Your actual network will differ, requiring changes or perhaps additional network equipment to accommodate the system as illustrated. Please contact your local Pelco Representative to discuss your specific requirements.

# TECHNICAL SPECIFICATIONS

## ELECTRICAL/VIDEO

Input Voltage	90 to 264 VAC, 50/60 Hz, autosensing	
Power Consumption	Maximum 250 W	
Signal System	NTSC/PAL, switchable	
Operating System	Embedded Linux	
Video Compression	H.264	
Recording Resolutions	NTSC	PAL
	704 x 480	704 x 576
	704 x 240	704 x 288
	352 x 240	352 x 288
Video Outputs	1 main VGA or analog multiscreen for live viewing	
Multiscreen	1 configurable, analog spot monitor	
Display Resolution Server	SVGA	
Display Resolution Client	Up to 1920 x 1080	
Remote Connection	LAN/WAN TCP/IP	
Network Connection	Gigabit Ethernet, RJ-45	
Simultaneous Remote Connections	5	
Bandwidth Throttle	Server-based, 32 Kbps to 100 Mbps	
Network Streaming	Configurable per camera	

## SUPPORTED PTZ PROTOCOLS

Pelco C, Pelco D, Pelco P  
 Bosch\_Autodome  
 Ganz\_DSCP, Ganz\_P360V1  
 Kalatel\_Cyberdome  
 LG\_Multix, LG\_SD168  
 Panasonic\_CS850  
 Samsung\_SCC

## MAXIMUM IPS RECORDING

Model	Format	NTSC IPS		PAL IPS	
		Total	Per Camera	Total	Per Camera
DX4708	CIF	240	30	200	25
	2CIF	120	15	100	12
	4CIF	60	7	50	6
DX4716	CIF	480	30	400	25
	2CIF	240	15	200	12.5
	4CIF	120	7.5	96	6
DX4808	CIF	240	30	200	25
	2CIF	240	30	200	25
	4CIF	240	30	200	25
DX4816	CIF	480	30	400	25
	2CIF	480	30	400	25
	4CIF	480	30	400	25

## AUDIO

Line In	DX4708/DX4716 DX4808/DX4816	2, mono, RCA line in 4, mono, RCA line in
Output		2, Mono, 0 dB, RCA
Sampling Rate		128 Kbps (16 KHz)
Two-Way Audio		Mic-in, line-out

## MECHANICAL

Connectors		
Video Inputs		8 or 16, BNC
Video Outputs		8 or 16, BNC, looping
Alarm Input		1 per BNC input; Screw terminal; N.C. or N.O., supervised or unsupervised
Relay Output		2 for 8-channel; 4 for 16-channel (N.C. or N.O.)
Video Output		1 SVGA or 1 analog
TCP/IP Port		RJ-45, 10/100/1000
Data Input		2, RS-422/RS-485 terminals for connecting PTZ cameras
DB9		1, RS-232C connector for interfacing an ATM/POS device
USB		3 high-speed USB 2.0 ports (1 front, 2 back)

## GENERAL

Operating Temperature	0° to 50°C (32° to 122°F)
Relative Humidity	Maximum 80%, noncondensing
Mounting	Standard 19-inch rack mount (2 unit)
Dimensions	49.78 x 48.26 x 8.89 cm (19.6" D x 19.0" W x 3.5" H)
Unit Weight	
Without HDD	6.0 kg (13.2 lb)
With HDD	9.0 kg (19.8 lb)
Shipping Weight	18.2 kg (40.0 lb) maximum
Camera Views	
Server	1, 4, 6, 8, 9, 16
Client	1 to 36

## CERTIFICATIONS/PATENTS

- CE
- FCC, Class A
- UL/cUL
- C-Tick
- CCC
- KCC
- S Mark for Argentina

## CLIENT MINIMUM PC REQUIREMENTS

Processor	Intel® Pentium® 4 (or later), 1 GHz
Operating System	Microsoft® Windows® 2000, Windows XP (SP3), Windows Vista®, or Windows 7 and DirectX® 9.1 (or later)
Memory	256 MB
Video	64 MB
Display Resolution	1024 x 768, 32-bit color

# TECHNICAL SPECIFICATIONS

## PRODUCT MODELS AND FEATURES

Feature	DX4708	DX4716	DX4808	DX4816
Megapixel IP Cameras	2	2	2	2
Images Per Second at 4CIF	60	240	240	480
Multi-Event Recording	Yes	Yes	Yes	Yes
Standard Optical Disk Drive	DVD±RW	DVD±RW	DVD±RW	DVD±RW
Maximum Hard Disk Storage (GB)	8000	8000	8000	8000
Audio Inputs/Outputs	2/2	2/2	4/2	4/2
Alarm Inputs/Outputs	8/2	16/2	8/4	16/4

## MODEL NUMBERS

Model Number	Description
DX4708-250	HVR with DVD and 250 GB storage
DX4708-500	HVR with DVD and 500 GB storage
DX4708-1000	HVR with DVD and 1000 GB storage
DX4708-2000	HVR with DVD and 2000 GB storage
DX4708-4000	HVR with DVD and 4000 GB storage
DX4708-6000	HVR with DVD and 6000 GB storage
DX4708-8000	HVR with DVD and 8000 GB storage
DX4716-250	HVR with DVD and 250 GB storage
DX4716-500	HVR with DVD and 500 GB storage
DX4716-1000	HVR with DVD and 1000 GB storage
DX4716-2000	HVR with DVD and 2000 GB storage
DX4716-4000	HVR with DVD and 4000 GB storage
DX4716-6000	HVR with DVD and 6000 GB storage
DX4716-8000	HVR with DVD and 8000 GB storage
DX4808-250	HVR with DVD and 250 GB storage
DX4808-500	HVR with DVD and 500 GB storage
DX4808-1000	HVR with DVD and 1000 GB storage
DX4808-2000	HVR with DVD and 2000 GB storage
DX4808-4000	HVR with DVD and 4000 GB storage
DX4808-6000	HVR with DVD and 6000 GB storage
DX4808-8000	HVR with DVD and 8000 GB storage
DX4816-250	HVR with DVD and 250 GB storage
DX4816-500	HVR with DVD and 500 GB storage
DX4816-1000	HVR with DVD and 1000 GB storage
DX4816-2000	HVR with DVD and 2000 GB storage
DX4816-4000	HVR with DVD and 4000 GB storage
DX4816-6000	HVR with DVD and 6000 GB storage
DX4816-8000	HVR with DVD and 8000 GB storage

## SUPPLIED ACCESSORIES

Power Cords	1 USA and 1 European
USB Mouse	1 for configuration and operation
Resource Disc	1, contains server and client software and documentation
Remote Control	1 for configuration and operation
Accessory Hardware	Alarm and relay terminal blocks, rack mount kit

## COMPATIBLE PRODUCTS

Pelco Sarix™ IP Cameras (IM, IX, ID, and IE Series)  
 Axis IP Cameras (must be compatible with VAPIX3)  
 KBD300A Keyboard  
 COTS HDD Enclosures  
 DX Series Client  
 DS ControlPoint  
 API  
 American Video Equipment Hydra™

## OPTIONAL ACCESSORIES

DX4546HDD250KIT*	DX4500/DX4600 SATA 250 GB upgrade
DX4546HDD500KIT*	DX4500/DX4600 SATA 500 GB upgrade
DX4546HDD750KIT*	DX4500/DX4600 SATA 750 GB upgrade
DX4546HD1000KIT*	DX4500/DX4600 SATA 1000 GB upgrade
DX4546HD2000KIT*	DX4500/DX4600 SATA 2000 GB upgrade
DX4546-DVDKIT*	DVD drive upgrade for the DX4500/DX4600
KBD300A	KBD300A desktop keyboard with full switching and configuration capabilities and joystick control of PTZ functions; requires a KDB300USBKIT or a KBD300USBKIT-X
KBD300USBKIT	Remote keyboard wiring kit (120 VAC) for KBD300A
KBD300USBKIT-X	Remote keyboard wiring kit (230 VAC) for KBD300A

\*DX4500/DX4600 HDD parts can be used with the entire DX Series product line.

### Pelco by Schneider Electric

3500 Pelco Way, Clovis, California 93612-5699 United States  
**USA & Canada** Tel (800) 289-9100 Fax (800) 289-9150  
**International** Tel +1 (559) 292-1981 Fax +1 (559) 348-1120  
[www.pelco.com](http://www.pelco.com)

Pelco, the Pelco logo, and other trademarks associated with Pelco products referred to in this publication are trademarks of Pelco, Inc. or its affiliates. All other product names and services are the property of their respective companies. Product specifications and availability are subject to change without notice.  
 ©Copyright 2011, Pelco, Inc. All rights reserved.