

TC-LS800S6-2MP-A

2MP Starlight Laser PTZ

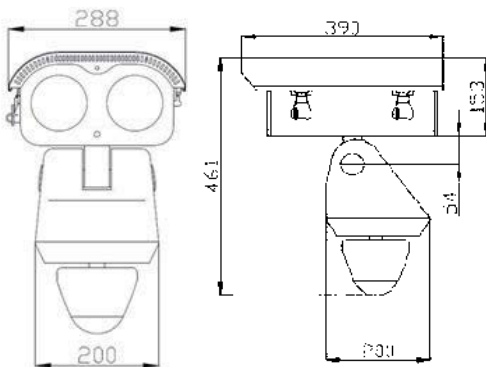
Tiandy



Key Features

- Ultra Low Light 0.002lux
- Up to 1920X1080 High Resolution
- 1200m at Daytime and 800~900m at Night-vision
- Lens 5.5~220 mm, Optical Zoom: 40X
- Super WDR 120dB
- Auto Zoom, Focus and Preset
- Auto-focus Laser to Auto Match Distance
- Manually Turn ON/OFF Laser and Manual Adjustment
- Excellent Defog Performance
- TVS 6000V, IP66
- CE, FCC, RoHS

Dimensions



Housing	
Engineering	Full aluminium alloy material and totally sealed, with wiper
Size	390*288*153mm
IP Rate	IP66
Consumption	≤100W
Weight	15KG
Camera	
Sensor	1/1.8" CMOS
CPU	ARM9
OS	Linux
Pixel	2.0MP
Resolution	Major Stream : 1080P(1920×1080)
	Minor Stream : D1(704×576)
	Third Stream : CIF(352×288)
Frame Rate	PAL : 1080p@25fps, 960p@25fps, 720p@25fps, D1@25fps
	NTSC : 1080p@30fps, 960p@30fps, 720p@30fps, D1@30fps
WDR	120dB
HLC	Y
Noise Reduction	3D Digital
Electronic Shutter	1s ~ 1/100000s
Mini Illumination	Color: 0.002 Lux @(F1.2,AGC ON)
	B&W: 0.0002Lux @(F1.2,AGC ON)
Day&Night	Inter-sync, Alarm-sync, Black&White, Color and Timing
Video Spec	Configurable Brightness, Contrast and Saturation
Overlay	Support 200×200 and BMP 24Bit Picture
ROI	4 Regions
Video Enhancement	Anti-fog, Auto Gain, Margin Enhancement, BLC, Gama, Digital Anti-shaking, Corridor Mode, Sinaro Template
Video Compression	H265/H.264/M-JPEG
Encode Type	BaseLine Profile/Main Profile/High Profile
Video Bitrate	32K ~ 16Mbps
Transmission	Triple Stream
IE Access	Built-in Web Server
Clients	≤8
Local Storage	Support max 128G MicroSD Card
Network Protocol	TCP/UDP/HTTP/MULTICAST/UPnP/DHCP/PPPoE/DDNS/NFS/FTP/NTP/RTSP/IP6/5/SNMP/SMP/802.1X/QoS/HTTPS
IP Address	Static and Dynamic IP Address, Customized MTU, Network Card
OSD	Support 16 × 16, 32 × 32, 24 × 24, 48 × 48, 64 × 64 size;
	Support Time, Date and Week;
	Support up to 5 Areas
Authority	8 Users in 4 Levels
System Clock	Built-in Clock, Support External Sync, Time Zone Setup, NTP and DST
Remote Control	Upgrade FW Remotely, and Support Import or Export Configuration Files
Smart Alarm	Motion Detection, Mask Detection, IP Conflict, MAC Conflict
Common Function	One Button to Restore, Anti-flicker and IP Filter
IVA	Tripwire/Perimeter/Missing&Foreign Object/Loitering/Fast Moving/Facial Detection/People Counting/Crowd/Off-position
Onvif	Y
Lens	
Size	1/1.8"
Drive	DC
Focal Length	5.5~220mm(40X)
F Value	F1.5(Wide) ~ F4.3(Tele) ±3%
Special	Anti-shake, Anti-Fog and ROI/SVC
Laser	
Range	Day:1200m, Night:800~900m
Wave Length	808nm
Output Mode	Integrated laser
Light Spot	Round
Divergence Angel	1.5°~68°(Default at 25°)
Voltage	12V
Consumption	5W
Control Mode	Intelligent control light sensors, can read ambient illumination, auto turn on/off laser, and there are 15 levels critical value adjustable
Smart-sync Focus	Intelligent servo control, laser emission angle changes continuously, night spot sync the camera zoom lens
Optical Axis Fine-tuning Mechanism	Manual
Lifetime	≥30000 hour
PTZ	
Pan Range	0 ~ 360°
Pan Speed	0.01° ~ 50°/s
Tilt Range	-40° ~ +80°
Tilt Speed	0.01° ~ 30°/s
Preset	255
Cruising	8
Pattern	8
Guard Location	Y
Protocol	Pelco_D
Interface	
BNC	1Vp-p Composite Output(75Ω)
Alarm I/O	1/1
Relay Output	1ch
Ethernet	1ch 10M/100M
Reset Button	Y
Environment	
Temperature	-10 ℃ ~ +40 ℃ (Laser off at Daytime) -40 ℃ ~ +55 ℃ (Laser on at Night)
Anti-corrosion	PH: 6.5 ~ 7.2
General	
Power	AC24V±10%
Consumption	≤100W MAX
Environment	Temperature : -40 ℃ ~ +55 ℃; Humidity : <95%RH
PTZ Weight	15KG
Load Mode	Top Mount
Impact Protection	IP66
Lightning Protection	Anti-surge, 4 Level(4KV) Anti-static, 3 Level(6KV by Touch, 8KV by Air)

* The latest product information / specification can be found at <http://en.tiandy.com/>



Tiandy Digital Technology Co., Ltd. | en.tiandy.com

Add: No.8, Huake Rd2, Binhai Hi-Tech Industry(Huayuan), Tianjin 300384 China

Tel: +86-22-58596037 Email: sales@tiandy.com

