

TC-NC414

4MP H.265 Mini IR Bullet Camera

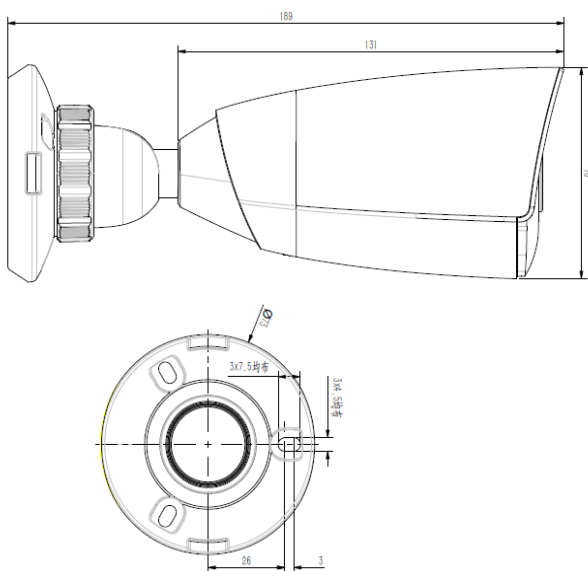
Tiandy



Features

- S+265 compression
- Up to 2560×1440@25fps
- Cable Free Design
- IE, Chrome, Firefox, Safari, Plug-in Free
- Mechanical WDR 120dB
- Smart IR, IR Range: 25m
- VCA Tripwire/Double Tripwire/Perimeter/Object Abandon/Object Lost/Running/Loitering/Parking/Crowd/Audio Abnormal Detection/Video Abnormal Detection
- Interface MicroSD Card Slot, up to 128GB, Reset Button
- TVS 6000V, Lightning/Surge Protection: (Power 2000V, RJ45 1000V), IP67
- Operating Conditions -35℃ ~ 60℃ (IR OFF) / -35℃ ~ 40℃ (IR ON), 0 ~ 95% RHG
- Case Material Metal
- CE, FCC, RoHS

Dimensions



Camera

Image Sensor	1/3" CMOS
Core Processor	ARM7 Architecture
Operating System	Embedded Linux
Min. Illumination	Color: 0.05Lux(F1.2, AGC ON) B/W: 0.01Lux(F1.2, AGC ON); 0Lux with IR
Shutter Time	1s ~ 1/100000s
Lens	4mm, Angle of View: 82.7°
Lens Mount	φ12
Auto Iris	N/A
Day& Night	IR Cut Filter with Auto Switch
Wide Dynamic Range	120 dB
DNR	3D
S/N Ratio	>60dB

Compression Standard

Video Compression	S+265/ H.265/ S+264/ H.264 H/ H.264 M/ H.264 B/ M-JPEG
Video Bit Rate	32Kbps~16Mbps
Audio Compression	G.711A/G.711U/ADPCM/AAC
Audio Bit Rate	G711 8KHz, 64kbps ADPCM 8KHz, 32kbps AAC 48KHz, 96-320kbps

Image

Max. Image Resolution	1440P(2560×1440)@25fps
Frame Rate	PAL: 1440P@25fps, QXGA@25fps NTSC: 1440P@25fps, QXGA@30fps
Triple Stream	Mainstream: 1440P(2560×1440) Substream: D1(704×576) 3rd Stream: CIF(352×288)
Image Settings	Brightness, Saturation, Contrast, Sharpness, Image Enhancement
HLC	Y
Smart Defog	Y
Corridor Format	Y
EIS	Y
ROI	4 Zones
Privacy Mask	4 Zones
Picture Overlay	200 × 200, BMP 24bit, Zone Configurable
OSD	16×16, 32×32, 24×24, 48×48, 64×64, 96×96 Size Letters Such as Week, Date, Time, Total 5 Regions

Network

Browser	CHROME V45 or lower, IE, FIREFOX
Network Storage	FTP
NTP	Y
ANR	Y
Video Analytics(VCA)	Tripwire/Double Tripwire/Perimeter/Object Abandon/Object Lost/Running/Loitering/Parking/Crowd/Audio Abnormal Detection/Video Abnormal Detection
Alarm Trigger	Motion Detection/IP Conflict/MAC Conflict/Port Alarm/Mask Alarm
Protocols	IPv4/IPv6/HTTP/802.1x/FTP/SMTP/UPnP/SNMP/DNS/DDNS/ICMP/IGMP/NTP/RTSP/TCP/UDP/DHCP/PPPoE/HTTPS/ARP/RTP/QoS/MULTICAST
User Permission	4 Level/8 Users
Remote Connection	5 Users Access at the Same Time
System Compatibility	ONVIF (Profile S), SDK, CGI

Interface

Audio Input	N/A
Audio Output	N/A
Ethernet	1-ch RJ45 10M/ 100M Ethernet Interface
Alarm Input	N/A
Alarm Output	N/A
Video Output	N/A
On-board Storage	MicroSD Card Slot, up to 128GB
Reset	Y

General

Language	English, Spanish, Korean, Italian, Turkish, Thai, Russian, Traditional Chinese, Simplified Chinese, Polish, French
Operating Conditions	-35℃~60℃(IR OFF) / -35℃~40℃(IR ON), 0~95% RHG
Power Supply	DC 12V±10%/PoE
Power Consumption	Max. 5W(IR OFF) (ICR Instant Switch 8.5W) Max. 7W(IR ON)
Circuit Protection	TVS 6000V, Lightning/Surge Protection: (Power 2000V, RJ45 1000V)
Impact Protection	IP67
IR Range	25m
IR LEDs	2pcs Array
Dimensions	189mm×70mm×70mm
Weight	0.7KG (IP Camera Only); 0.9KG (with Packing Box)
S+265:	Tiandy enhanced H.265 codec
ANR:	Auto store video in SD card when NVR disconnected, and upload video to NVR when resumed connection(Only Support Tiandy ANR NVR)

* The latest product information / specification can be found at <http://en.tiandy.com/>



Tiandy Digital Technology Co., Ltd. | en.tiandy.com

Add: No.8, Huake Rd2, Binhai Hi-Tech Industry(Huayuan), Tianjin 300384 China

Tel: +86-22-58596037 Email: sales@tiandy.com

