

# 1.0MP Network IR Bullet Camera



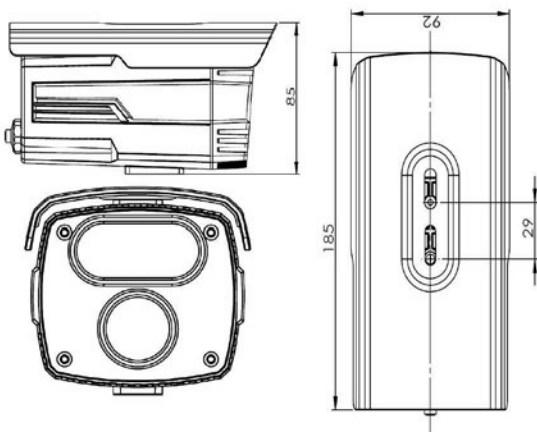
## MODEL

TC-NC9400S3E-MP-E-C-IR30

## FEATURES

- Up To 1280X720 High Resolution
- IR Range:30m
- NIR, WDR, 3D DNR, HLC, Dual-ICR, AWB, AGC, BLC
- Triple Streams
- Tripwire Detection (1280 × 720)
- Perimeter Detection (1280 × 720)
- Defog
- TVS 6000V Protection, IP66

## DIMENSIONS



## SPECIFICATIONS

Camera	
Image Sensor	1.0MP, 1/4" CMOS sensor
Core Processor	ARM9 Architecture
Operating System	Embedded Linux
Signal System	PAL/NTSC
Min. Illumination	Color : 0.1 Lux @(F1.2, AGCON) B/W: 0.01 Lux @(F1.2, AGCON); 0 Lux with IR
Shutter Time	1/25s to 1/10, 000s
Lens	6mm/4mm, Angle of View: 54°/74°
Lens Mount	φ14
Auto Iris	N/A
Day&Night	IR cut filter with auto switch
Wide Dynamic Range	80 dB
Digital Noise Reduction	3D DNR
Compression Standard	
Video Compression	H.264/MJPEG
Bit Rate	32Kbps~16Mbps
Audio Compression	G.711/AAC/ADPCM
Bit Rate	8K~48Kbps
Image	
Max. Image Resolution	1280 × 720
Frame Rate	50Hz: 25fps (1280 × 720) 60Hz: 30fps (1280 × 720)
Triple Stream	Main Stream:1080P(1280* 720) Sub Stream:D1(704*576) 3rd Stream:CIF(352*288)
Image Settings	Brightness, Saturation, Contrast, Flip Mode Adjustable by Client Software or Web Browser
HLC	Y
Smart Defog	Y
Corridor	N
EIS	Y
ROI	4 Zones
Privacy Mask	4 Zones
Picture Overlay	200 × 200, BMP 24bit, Zone Configurable
Network	
Browser	IE 7+, Chrome 18+, Firefox 5.0+
Network Storage	NAS
Video Analytics	Tripwire/Perimeter(1280 × 720)
Alarm Trigger	Motion Detection/IP Conflict/MAC Conflict/Port Alarm
Protocols	TCP/IP/ICMP/HTTP/HTTPS/FTP/DHCP/DNS/DDNS/RTSP/RTCP/PPPoE/NTP/UPnP/SMTP/SNMP/IGMP/802.1X/QoS/IPv6/Bonjour
User Permission	4 Level/8 Users
Remote Connection	2-ch Access
System Compatibility	ONVIF (Profile S), SDK
Interface	
Audio Input	N/A
Audio Output	N/A
Communication Interface	1-ch RJ45 10M/100M ethernet interface
Alarm Input	N/A
Alarm Output	N/A
Video Output	N/A
On-board Storage	N/A
Extension	N/A
General	
Operating Conditions	-30°C ~ 60°C (IR OFF) /-35°C ~ 40°C (IR ON), 0 ~ 95% RHG
Power Supply	12 VDC ± 10%, PoE (802.3af)
Power Consumption	Max. 5 W (IR OFF) Max. 11 W (IR ON)
Circuit Protection	TVS 6000V, Lightning/Surge 1000V protection
Impact Protection	IP66
IR Range	30m
IR LEDs	2-pc Array IR LEDs
Dimensions	185mm×92mm×85mm
Weight	1kg (Camera only); 1.2kg (with Packing Box)