

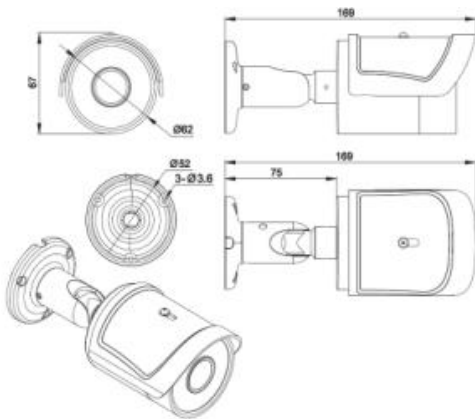
**TC-NC9400S3E-MP-E-I**  
**1.3MP Starlight Mini IR Bullet Camera**



**Features**

- Ultra Low Light 0.002lux
- Up to 1920X1080 High Resolution
- Smart IR, IR Range: 15m~25m
- NIR, WDR, 3D DNR, BLC,HLC, Dual-ICR, AWB, AGC, BLC
- Triple Streams
- High Profile
- Tripwire Detection
- Perimeter Detection
- TVS 6000V Protection, IP66
- CE/FCC/RoHS

**Dimensions**



| Camera                  |  |
|-------------------------|--|
| Image Sensor            | 1/3" Sony CMOS   |
| Core Processor          | ARM9 Architecture  |
| Operating System        | Embedded Linux   |
| Signal System           | PAL/NTSC   |
| Min. Illumination       | Color: 0.002Lux(F1.2,AGC ON)<br>B/W: 0.001Lux(F1.2,AGC ON); 0Lux with IR                 |
| Shutter Time            | 1s~1/100000s   |
| Lens                    | 6mm/4mm, Horizontal Angle of View: 79°/50°   |
| Lens Mount              | φ12  |
| Auto Iris               | N/A  |
| Day& Night              | IR Cut Filter with Auto Switch   |
| Wide Dynamic Range      | 100 dB   |
| Digital Noise Reduction | 3D DNR   |
| Compression Standard    |  |
| Video Compression       | H.264/MJPEG  |
| Encode Type             | High Profile/Main Profile/Base Line Profile  |
| Video Bit Rate          | 32Kbps~16Mbps  |
| Audio Compression       | G.711A/G.711U/ADPCM/AAC  |
| Audio Bit Rate          | G711 8KHz, 64kbps<br>ADPCM 8KHz, 32kbps<br>AAC 48KHz, 96-320kbps                         |
| Image                   |  |
| Max. Image Resolution   | 1280x960   |
| Frame Rate              | 50Hz: 25fps (1280x960), 25fps (1280 × 720)<br>60Hz: 30fps (1280x960), 30fps (1280 × 720) |
| Triple Stream           | Mainstream:960P(1280x960)<br>Substream:D1(704x576)<br>3rd stream:CIF(352x288)            |
| Image Settings          | Brightness, Saturation, Contrast, Flip Mode Adjustable by Client Software or Web Browser |
| HLC                     | Y  |
| Smart Defog             | Y  |
| Corridor Format         | N/A  |
| EIS                     | Y  |
| ROI                     | 4 Zones  |
| Privacy Mask            | 4 Zones  |
| Picture Overlay         | 200 × 200, BMP 24bit, Zone Configurable  |
| Network                 |  |
| Browser                 | IE8,IE9,IE10IE,11,Chrome30,Firefox24   |
| Network Storage         | FTP  |
| NTP                     | Y  |
| Video Analytics         | Tripwire/Perimeter(Available on 720P)  |
| Alarm Trigger           | Motion Detection/IP Conflict/MAC Conflict/Port Alarm/Mask Alarm                          |
| Protocols               | IPv4/IPv6/HTTP/802.1x/FTP/SMTP/UPnP/SNMP/DNS/DDNS/NT P/RTSP/TCP/UDP/DHCP/PPPoE           |
| User Permission         | 4 Level/8 Users  |
| Remote Connection       | 3 Users Access at the Same Time  |
| System Compatibility    | ONVIF (Profile S), SDK, CGI  |
| Interface               |  |
| Audio Input             | N/A  |
| Audio Output            | N/A  |
| Communication Interfac  | 1-ch RJ45 10M / 100M Ethernet Interface  |
| Alarm Input             | N/A  |
| Alarm Output            | N/A  |
| Video Output            | N/A  |
| On-board Storage        | N/A  |
| Extension               | N/A  |
| General                 |  |
| Langage                 | English,Spanish,Korean,Italian,Turkish,Thai,Russian,Traditional C                        |
| Operating Conditions    | -30°C~60°C(IR OFF) /-20°C~40°C(IR ON), 0~95% RHG   |
| Power Supply            | DC12 V ± 10%, PoE (802.3af)  |
| Power Consumption       | Max. 3.5W(IR OFF) (ICR Instant Switch 7.5W)<br>Max. 5.5W(IR ON)                          |
| Circuit Protection      | TVS 6000V, Lightning/Surge 1000V Protection  |
| Impact Protection       | IP66   |
| IR Range                | 15m~25m  |
| IR LEDs                 | 36pcs  |
| Dimensions              | 169mm×67mm×70mm  |
| Weight                  | 0.4KG (IP Camera Only); 0.6KG (with Packing Box)   |