

TC-NC9501S3E-4MP-E-12

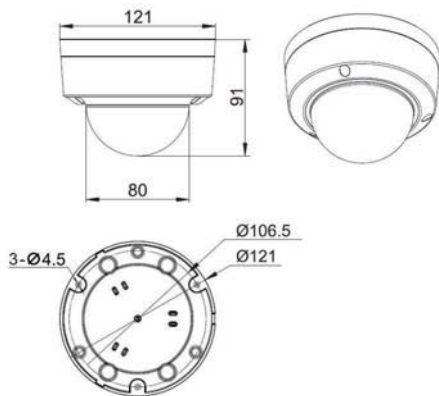
4MP H.265 Vandalproof Mini IR Dome Camera



Key Features

- H.265 Codec
- Up to 2560x1440@25fps
- Smart IR, IR Range: 20m~30m
- NIR, WDR, 3D DNR, HLC, Dual-ICR, AWB, AGC, BLC
- Triple Streams
- Smart VQD(Video Quality Diagnosis)
- Crowd Massing Detection
- 9 Kinds Smart IVA
- 9 Languages Supported
- Audio I/O 1/0, MicroSD Card Slot, Up to 128 GB, Reset Button
- TVS 6000V, Lightning/Surge 2000V Protection, IK10
- CE, FCC, RoHS

Dimensions



Bracket



Model: TC-714S3E

Camera	
Image Sensor	1/3" OV CMOS
Core Processor	ARM7 Architecture
Operating System	Embedded Linux
Signal System	PAL/NTSC
Min. Illumination	Color: 0.05 Lux @(F1.2, AGC ON) B/W: 0.01Lux @(F1.2, AGC ON); 0 Lux with IR
Shutter Time	1s ~ 1/100000s
Lens	2.8mm/4mm, Angle of View: 102°/82°
Lens Mount	φ12
Auto Iris	N/A
Adjustment Range	Pan:0° - 355°, Tilt: 0° - 75°, Rotation: 0° - 355°
Day& Night	IR Cut Filter with Auto Switch
Wide Dynamic Range	100 dB
Digital Noise Reduction	3D DNR
Compression Standard	
Video Compression	H.265/H.264 HP/MP/BP/M-JPEG
Encode Type	High Profile/Main Profile/Base Line Profile
Video Bit Rate	32Kbps~16Mbps
Audio Compression	G.711A/G.711U/ADPCM/AAC
Audio Bit Rate	G711 8KHz, 64kbps ADPCM 8KHz, 32kbps AAC 48KHz, 96-320kbps
Image	
Max. Image Resolution	1440P(2560x1440)
Frame Rate	PAL: 1440P@25fps, QXGA@25fps NTSC: 1440P@25fps, QXGA@30fps
Triple Stream	Mainstream:1440P(2560x1440) Substream: D1(704x576) 3rd stream: CIF(352*288)
Image Settings	Brightness, Saturation, Contrast, Flip Mode Adjustable by Client Software or Web Browser
HLC	Y
Smart Defog	Y
Corridor Format	Y
EIS	Y
ROI	4 Zones
Picture Overlay	200 x 200, BMP 24bit, Zone Configurable
Privacy Mask	4 Zones
OSD	16x16, 32x32, 24x24, 48x48, 64x64, 96x96 Size Letters Such as Week, Date, Time, Total 5 Regions
Network	
Browser	IE8, IE9, IE10IE, 11, Chrome30, Firefox24
Network Storage	FTP
NTP	Y
Video Analytics	Tripwire/Perimeter/Missing&Foreign Object/Loitering/Running/Parking/Gathering/Video Diagnosis/Abnormal Detection
Alarm Trigger	Motion Detection/IP Conflict/MAC Conflict/Port Alarm/Mask Alarm
Protocols	IPv4/IPv6/HTTP/802.1x/FTP/SMTP/UPnP/SNMP/DNS/DDNS/NTP/RTSP/TCP/UDP/DHCP/PPPoE
User Permission	4 Level/8 Users
Remote Connection	3 Users Access at the Same Time
NTP	Y
System Compatibility	ONVIF (Profile S), SDK, CGI
Interface	
Audio Input	1-ch
Audio Output	N/A
Communication Interface	1-ch RJ45 10M / 100M Ethernet Interface
Alarm Input	N/A
Alarm Output	N/A
Video Output	N/A
On-board Storage	MicroSD Card Slot, up to 128GB
Reset Button	Y
Extension	N/A
General	
Languages	English, Spanish, Korean, Italian, Turkish, Thai, Russian, Traditional Chinese
Operating Conditions	-30 °C ~ 60 °C (IR OFF) / -20 °C ~ 40 °C (IR ON), 0 ~ 95% RHG, Indoor
Power Supply	DC12 V ± 10%, PoE (802.3af)
Power Consumption	Max. 3W (IR OFF) (ICR Instant Switch 11W) Max. 5.8W (IR ON)
Circuit Protection	TVS 6000V, Lightning/Surge Protection: (Power 2000V, RJ45 1000V)
Impact Protection	IK10
IR Range	20m~30m
IR LEDs	24pcs
Dimensions	121mmx121mmx91mm
Weight	0.5KG (IP Camera Only); 0.7KG (with Packing Box)

* The latest product information / specification can be found at <http://en.tiandy.com/>



Tiandy Digital Technology Co., Ltd. | en.tiandy.com

Add: No.8, Huake Rd2, Binhai Hi-Tech Industry(Huayuan), Tianjin 300384 China

Tel: +86-22-58596037 Email: sales@tiandy.com

