

TC-NH6233I

H.265 2MP 33x Starlight IR PTZ

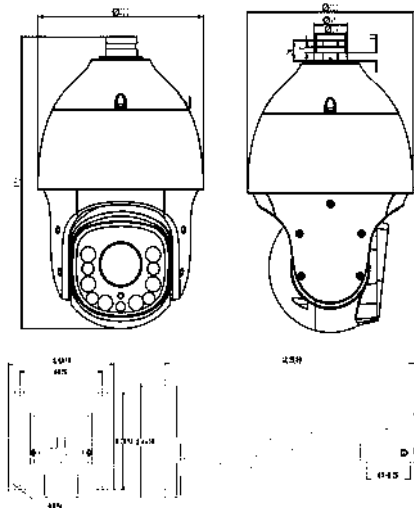
Tiandy



Features

- Ultra Low Light 0.002lux
- H.265 Codec
- Up to 1920X1080 High Resolution
- Smart IR, IR Range: 180~200m
- Speed Max 400°/s, -16~90° Tilt Angle
- Optical Zoom: 33x, Digital Zoom: 16x
- NIR, WDR, 3D DNR, HLC, Dual-ICR, AWB, AGC, BLC
- Triple Streams
- MicroSD Card Slot, up to 128GB
- Tripwire Detection
- Perimeter Detection
- Smart Defog
- TVS 6000V, Lightning/Surge 4000V Protection
- Temperature: -40°C~70°C
- CE, FCC

Dimensions



Dimensions(Optional)

Model: DF20

DF21



Camera	
Image Sensor	1/2.8" Sony Progressive Scan CMOS
Effective Pixels	1280(H)x1080(V)
Signal System	PAL/NTSC
Minimum Illumination	Color:0.002Lux@(F1.6,50 IRE,ICR OFF) Black&White:0.001Lux@(F1.6,50 IRE, ICR ON) / 0 Lux with IR
White Balance	Auto/ ATW/ Manual
AGC	Auto/Manual
S/N Ratio	≥ 55dB
BLC	Y
HLC	Y
Smart Defog	Y
WDR	100dB
Digital Noise Reduction	3D DNR
Exposure Mode	Auto/ Manual/Shutter priority/ Aperture priority
Shutter Time	1/1s ~ 1/100000s
Day& Night	IR Cut Filter with Auto Switch
Digital Zoom	16x
Privacy Masking	24 Dynamic Privacy Mask Programmable; Optional Multiple Colors
Auto Focus	Auto/ Semi-automatic/ Manual
OSD	16*16,32*32,24*24,48*48,64*64,96*96 Character Size Time/Date/Week/Character Superposition in 5 Regions / PTZ Angle Superposition
Lens	
Focal Length	4.6-152mm, 33x
Zoom Speed	Approx.5s(Optical Wide-Tele)
Angle of View	62.1°(w)~2.18°(t)
Minimum Working Distance	1-1.5m(Wide-Tele)
Aperture Range	F1.6-F4.8
Pan & Tilt	
Pan Range	360° Endless
Pan Speed	Pan Manual Speed: 0.1°~400°/s Pan Preset Speed: 400°/s
Preset Accuracy	±0.2°
Tilt Range	-16°~90° (Auto Flip)
Tilt Speed	Tilt Manual Speed: 0.1°~120°/s Tilt Preset Speed: 180°/s
Proportional Zoom	Rotation Speed Can Be Adjusted Automatically According to Zoom Multiples
3D Position	Y
Number of Preset	500
Scan	8
Cruise	8, up to 32 Presets per Cruise
Pattern	8, Each One With 600s Memory or 300 Orders
Power loss recovery	Y
Guard Action	Preset/ Cruise/ Pattern/ Scan
PTZ Position Display	Y
Freeze Frame	Y
RS-485 Protocols	PTZ_PELCO_D,PTZ_PELCO_P,PTZ_TC615_P,DOME_PELCO_D,DOME_PELCO_P,DOME_PLUS
Infrared	
IR Irradiation Distance	180m~200m
IR Irradiation Angle	Adjustable by Zoom
Interface	
Audio Input	1-ch Mic in(Line in Interface) / Line Input 2-2.4V(p-p); Output Impedance 1KΩ, ±10%
Audio Output	1-ch, Line level, Impedance: 600Ω
Ethernet	1-ch RJ45 10M/100M
Alarm Input	1-ch
Alarm Output	1-ch
On-board Storage	MicroSD Card Slot, up to 128GB
BNC Output & RS485	N/A
Extension	N/A
Network	
Ethernet	10Base-T/100Base-TX RJ45 Connector
Max. Image Resolution	1920x1080
Main Stream	1920x1080@25/30fps; 1280x960@25/30fps; 1280x720@25/30fps; 1280x720@50/60fps 704x576@25/30fps; 704x480@50/60fps
Sub Stream	704x576@25fps/704x480@30fps; 352x288@25fps/352x240@30fps; 176x144@25fps/176x120@30fps
Third Stream	352x288@25fps/352x240@30fps
Image Compression	H.265/H.264 High Profile/MJPEG
ROI Encoding	7 Areas for Both Main and Sub Stream
Audio Compression	G711A/G711U/ADPCM/AAC
Audio Bit Rate	8K~48Kbps
Video Bit Rate	32K~1600Kbps
Protocols	TCP/UDP/HTTP/MULTICAST/UPnP/DHCP/PPPoE/DDNS/NFS/FTP/NTP/RTSP/RTSP/IPv6/SNMP/SMP
Remote Connection	10 Users Access at the Same Time
User Permission	Up to 32 Users, 4 Levels User Authentication (ID and PW), Host Authentication (MAC Address) IP Address Filtering
Security Measures	
Web Browser	IE8, IE9, IE10, Chrome8+, Firefox3.5+
System Compatibility	ONVIF (Profile S), SDK, CGI
Video Analytics	Tripwire, Perimeter, Loitering/Crowd/Parking Detection, Missing/Foreign Object, Face Detection
Intelligent Alarm	Harsh Voice Alarm, Motion Detection, Mask Alarm, Port Alarm, Network Disable Alarm, IP Conflict, MAC Conflict Detection, unusual image, scene changing, mic offline.
General	
Language	English, Spanish, Korean, Italian, Turkish, Thai, Russian, Traditional Chinese.
Operating Conditions	-40°C~70°C, 0~95% RHG
Power Supply	AC24V/3A
Power Consumption	18.6W(IR OFF) 32.36W(IR ON)
Circuit Protection	TVS 6000V, Lightning/ Surge 4000V Protection
Impact Protection	IP66
Wiper	N/A
IR LEDs	10pcs
Dimensions	222mmx222mmx372mm
Weight	52KG (IP PTZ Only), 8.45KG (with Packing Box)

* The latest product information / specification can be found at <http://en.tiandy.com/>

