

# TC-NH9806S6-2MP IR-CW

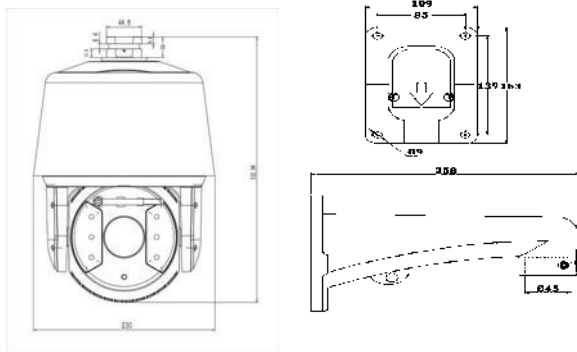
2MP 30x IR PTZ



## Key Features

- Up to 1920X1080 High Resolution
- Smart IR, IR Range: 150m~180m
- Speed Max 400°/s, -11~90° Tilt Angle
- Optical Zoom: 30x, Digital Zoom: 16x
- NIR, WDR, 3D DNR, HLC, Dual-ICR, AWB, AGC, BLC
- Triple Streams
- On-board Storage, MicroSD Card Slot, up to 128GB
- Alarm Counting
- Tripwire Detection
- Perimeter Detection
- Smart Defog
- TVS 6000V, Lightning/Surge 4000V Protection
- Temperature: -40°C-70°C, IP66
- CE, FCC, RoHS

## Dimensions



## Bracket



Model: TC-DF20



Model: TC-DF21

<b>Camera</b>	
Image Sensor	1/2.8" Sony Progressive Scan CMOS
Effective Pixels	1280(H)x1080(V)
Signal System	PAL/NTSC
Minimum Illumination	Color: 0.05Lux @(F1.6, 50 IRE, ICR off)
	B/W: 0.01Lux @(F1.6, 50 IRE, ICR on)
	0 lux with IR
White Balance	Auto/ ATW/ Manual
AGC	Auto/Manual
S/N Ratio	≥ 55dB
BLC	Y
HLC	Y
Smart Defog	Y
WDR	100dB
Digital Noise Reduction	3D DNR
Exposure Mode	Auto/ Manual/ Iris First/ Shutter First
Shutter Time	1/25-1/10000S
Day& Night	IR cut filter with auto switch
Digital Zoom	16x
Privacy Masking	4 Privacy Mask Programmable; Optional Multiple Colors
Auto Focus	Auto/ Semi-automatic/ Manual
OSD	16x16,32x32,24x24,48x48,64x64 Character Size
	Time/Date/Week/Character Superposition in 5 Regions PTZ Angle Superposition
<b>Lens</b>	
Focal Length	4.3-129mm, 30x
Zoom Speed	Approx.5s(Optical Wide-Tele)
Angle of View	65.1°(w) ~2.34°(t)
Minimum Working Distance	0.01m ~ 1.2m
Aperture Range	F1.6 ~ F5.0
<b>Pan &amp; Tilt</b>	
Pan Range	360° Endless
Pan Speed	Pan Manual Speed: 0.1°-160°/s,
	Pan Preset Speed: 400°/s stepless
Max Preset Speed	±0.05°
Tilt Range	-11°-90° (Auto Flip)
Tilt Speed	Tilt Manual Speed: 0.1°-120°/s
	Tilt Preset Speed: 240°/s
Proportional Zoom	Rotation Speed Can Be Adjusted Automatically According to Zoom Multiples
3D Position	Y
Number of Preset	256
Scan	8
Cruise	8, up to 32 Presets per Cruise
Pattern	8, Each One With 180s Memory or 300 Orders
Power loss recovery	Y
Guard Action	Preset/ Cruise/ Pattern/ Scan
PTZ Position Display	Y
Freeze Frame	Y
RS-485 Protocols	PTZ_PELCO_D , PTZ_PELCO_P , PTZ_TC615_P , DOME_PELCO_D , DOME_PELCO_P , DOME_PLUS
<b>Infrared</b>	
IR Irradiation Distance	150m~180m
IR Irradiation Angle	Adjustable by Zoom
<b>Interface</b>	
Audio Input	1-ch Mic In(Line in Interface) Line Input 2-2.4V(p-p); Output Impedance 1KΩ, ±10%
Audio Output	1-ch Line Level
Ethernet	1-ch RJ45 10M, 100M
Alarm Input	1-ch
Alarm Output	1-ch
On-board Storage	MicroSD Card Slot, up to 128GB
BNC Output@RS485	N/A
Extension	N/A
<b>Network</b>	
Ethernet	10Base-T/100Base-TX/RJ45 Connector
Max.Image Resolution	1920x1080
Main Stream	50Hz: 25fps(1920x1080), 25fps(1280x960), 25fps(1280x720)
	60Hz: 30fps(1920x1080), 30fps(1280x960), 30fps(1280x720)
Sub Stream	50Hz: 25fps(704x576), 25fps(352x288), 25fps(176x144)
	60Hz: 30fps(704x480), 30fps(352x240), 30fps(176x120)
	50Hz: 25fps(352x288), 25fps(176x144)
Third Stream	60Hz: 30fps(352x240), 30fps(176x120)
Image Compression	H.264/MJPEG, H.264 Encoding with Baseline/Main/High Profile
ROI Encoding	Support 4 Areas; with Adjustable Levels
Audio Compression	G711A/G711U/ADPCM/AAC
Protocols	IPV4/IPV6/ HTTP/ HTTPS/ 802.1x/ Qos/ FTP/ SMTP/ UPnP/ SNMP/ DNS/ DDNS/ NTP/ RTSP/ RTP/ TCP/ UDP/ IGMP/ ICMP/ DHCP/ PPPoE
Remote Connection	2 Users Access at the Same Time
User Permission	Up to 32 Users, 4 Levels
Security Measures	User Authentication (ID and PW),
	Host Authentication (MAC Address)
	IP Address Filtering
Web Browser	IE8,IE9,IE10,IE11,Chrome30,Firefox24
System Compatibility	ONVIF (Profile S), SDK, CGI
<b>Advance</b>	
Video Analytics	Tripwire, Perimeter, Alarm Counting
Intelligent Alarm	Motion Detection, Mask Alarm, Port Alarm, Network Disable Alarm, IP Conflict, MAC Conflict Detection
<b>General</b>	
Language	English, Spanish, Korean, Italian,Turkish,Thai, Russian, Traditional Chinese.
Operating Conditions	-40°C-70°C, 0 ~ 95% RHG
Power Supply	AC24V 3A
Power Consumption	19.2W(IR OFF)/ 44.8W(IR ON)
Circuit Protection	TVS 6000V, Lightning/ Surge 4000V Protection
Impact Protection	IP66
Wiper	Y
Dimensions	230mmx230mmx333mm
Weight	5.2 KG (IP PTZ Only), 8.5KG (with Packing Box)



Tiandy Digital Technology Co., Ltd. | [en.tiandy.com](http://en.tiandy.com)

Add: No.8, Huake Rd2, Binhai Hi-Tech Industry(Huayuan), Tianjin 300384 China

Tel: +86-22-58596037 Email: [sales@tiandy.com](mailto:sales@tiandy.com)

