

TC-NH9806S6-2MP IR-S-A

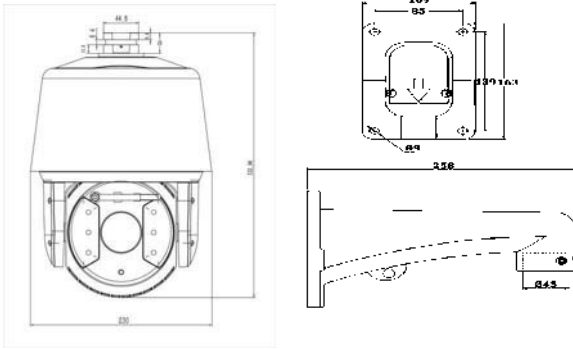
2MP 30x Super Starlight IR PTZ



Key Features

- Ultra Low Light 0.0008lux
- Up to 1920X1080 High Resolution
- Smart IR, IR Range: 180m-200m
- Speed Max 400°/s, -11~90° Tilt Angle
- Optical Zoom: 30x, Digital Zoom: 16x
- NIR, WDR, 3D DNR, HLC, Dual-ICR, AWB, AGC, BLC
- Triple Streams
- MicroSD Card Slot, up to 128GB
- Tripwire Detection, Perimeter Detection
- Smart Defog
- TVS 6000V, Lightning/Surge 4000V Protection
- Temperature: -40°C-70°C
- CE, FCC, RoHS

Dimensions



Bracket



Model: TC-DF20



Model: TC-DF21

Camera	
Image Sensor	1/1.8" Sony Progressive Scan CMOS
Effective Pixels	1920(H)x1080(V)
Signal System	PAL/NTSC
Minimum Illumination	Color: 0.0008 Lux @(F1.5,AGC ON) Black&White:0.0002Lux @(F1.5,AGC ON) 0 Lux with IR
White Balance	Auto/ ATW/ Manual
AGC	Auto/ Manual
S/N Ratio	≥ 55dB
BLC	Y
HLC	Y
Smart Defog	Y
WDR	120dB
Digital Noise Reduction	3D DNR
Exposure Mode	Auto/ Manual/ Iris First/ Shutter First
Shutter Time	1/25s-1/10000s
Day& Night	Dual-ICR
Digital Zoom	16x
Privacy Masking	4 Dynamic Privacy Masks Programmable; Optional Multiple Colors
Auto Focus	Auto/ Semi-automatic/ Manual
OSD	16x16,32x32,24x24,48x48,64x64 Character Size Time/Date/Week/Character Superposition in 5 Regions PTZ Angle Superposition
Lens	
Focal Length	4.3-129mm, 30x
Zoom Speed	Approx.5s(Optical Wide-Tele)
Angle of View	65.1°(w) -- 2.34°(t)
Minimum Working Distance	0.01m ~ 1.2m
Aperture Range	F1.6 ~ F5.0
Pan & Tilt	
Pan Range	360°endless
Pan Speed	Pan Manual Speed: 0.1°-160°/s, Pan Preset Speed: 400°/s Stepless
Max Preset Speed	±0.05°
Tilt Range	-11°-90° (Auto Flip)
Tilt Speed	Tilt Manual Speed: 0.1°-120°/s Tilt Preset Speed: 240°/s
Proportional Zoom	Rotation Speed Can Be Adjusted Automatically According to Zoom Multiples
3D Position	Y
Number of Preset	500
Scan	8
Cruise	8, up to 32 Presets per Cruise
Pattern	8, Each One With 180s Memory or 300 Orders
Power loss recovery	Y
Guard Action	Preset/ Cruise/ Pattern/ Scan
PTZ Position Display	Y
Freeze Frame	Y
RS-485 Protocols	PTZ_PELCO_D, PTZ_PELCO_P, PTZ_TC615_P, DOME_PELCO_D, DOME_PELCO_P, DOME_PLUS
Infrared	
IR Irradiation Distance	180m-200m
IR Irradiation Angle	Adjustable by Zoom
Interface	
Audio Input	1-ch Mic in(Line in Interface)
Audio Output	Line Input 2-2.4V(p-p); Output Impedance 1KΩ, ±10%
Ethernet	1-ch RJ45 10M/ 100M
Alarm Input	8-ch
Alarm Output	2-ch
On-board Storage	MicroSD Card Slot, up to 128GB
BNC	1.0Vp-p / 75Ω, NTSC (or PAL) Composite
RS-485	1-ch
Extension	N/A
Network	
Ethernet	10Base-T/100Base-TX RJ45 Connector
Max. Image Resolution	1920x1080
Main Stream	50Hz 25fps(1920x1080), 25fps(1280x960), 25fps(1280x720) 60Hz 30fps(1920x1080), 30fps(1280x960), 30fps(1280x720)
Sub Stream	50Hz: 25fps(704x576), 25fps(352x288), 25fps(176x144) 60Hz: 30fps(704x480), 30fps(352x240), 30fps(176x120)
Third Stream	50Hz 25fps(1920x1080), 25fps(1280x960), 25fps(1280x720), 25fps(704x576), 25fps(352x288), 25fps(176x144) 60Hz 30fps(1920x1080), 30fps(1280x960), 30fps(1280x720), 30fps(704x480), 30fps(352x240), 30fps(176x120)
Image Compression	H.265/H.264, Encoding with Baseline/Main/High Profile
ROI Encoding	8 Dynamic Areas with Adjustable Levels
Audio Compression	G711A/G711U/ADPCM/AAC
Protocols	IPV4/IPV6/ HTTP/ HTTPS/ 802.1x/ Qos/ FTP/ SMTP/ UPnP/ SNMP/ DNS/ DDNS/ NTP/ RTSP/ RTP/ TCP/ UDP/ IGMP/ ICMP/ DHCP/ PPPoE
Remote Connection	10 Users Access at the Same Time
User Permission	Up to 32 Users, 4 Levels User Authentication (ID and PW),
Security Measures	Host Authentication (MAC Address) IP Address Filtering
Web Browser	IE8, IE9, IE10, IE11, Chrome30, Firefox24
Advance	
Video Analysis	Tripwire, Perimeter, Alarm Counting
Intelligent Alarm	Motion Detection, Mask Alarm, Port Alarm, Network Disable Alarm, IP Conflict, MAC Conflict Detection
General	
Language	English, Spanish, Korean, Italian, Turkish, Thai, Russian, Traditional Chinese.
Operating Conditions	-40°C-70°C, 0 ~ 95% RHG
Power Supply	AC24V 3A
Power Consumption	20.3W (IR OFF)/ 43W (IR ON)
Circuit Protection	TVS 6000V, Lightning/ Surge 4000V Protection
Impact Protection	IP66
Wiper	Y
Dimensions	230mmx230mmx333mm
Weight	5.2KG (IP PTZ Only), 8.5KG (with Packing Box)

* The latest product information / specification can be found at <http://en.tiandy.com/>



Tiandy Digital Technology Co., Ltd. | en.tiandy.com

Add: No.8, Huake Rd2, Binhai Hi-Tech Industry(Huayuan), Tianjin 300384 China

Tel: +86-22-58596037 Email: sales@tiandy.com

