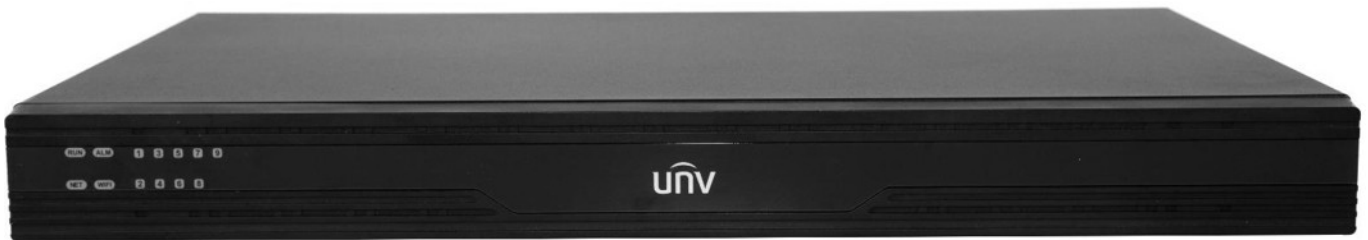


Single Channel High Definition Video Decoder

DC5506



DC5509



Key Features

Provide 6/9 DVI-D output interfaces

Provide 1 DVI-D input interface

Up to 1920 × 1080@60Hz via DVI-D output interfaces

Up to decoding at 8MP resolution

DC5506 Support 6-ch@4K/24-ch@1080P/54-ch@720P/96-ch@D1 decoding ability

DC5509 Support 9-ch@4K/36-ch@1080P/81-ch@720P/144-ch@D1 decoding ability

Decode video stream in H.265/ H.264

1/2/3/4/6/7/9/16 display split

Standard ONVIF video stream supported

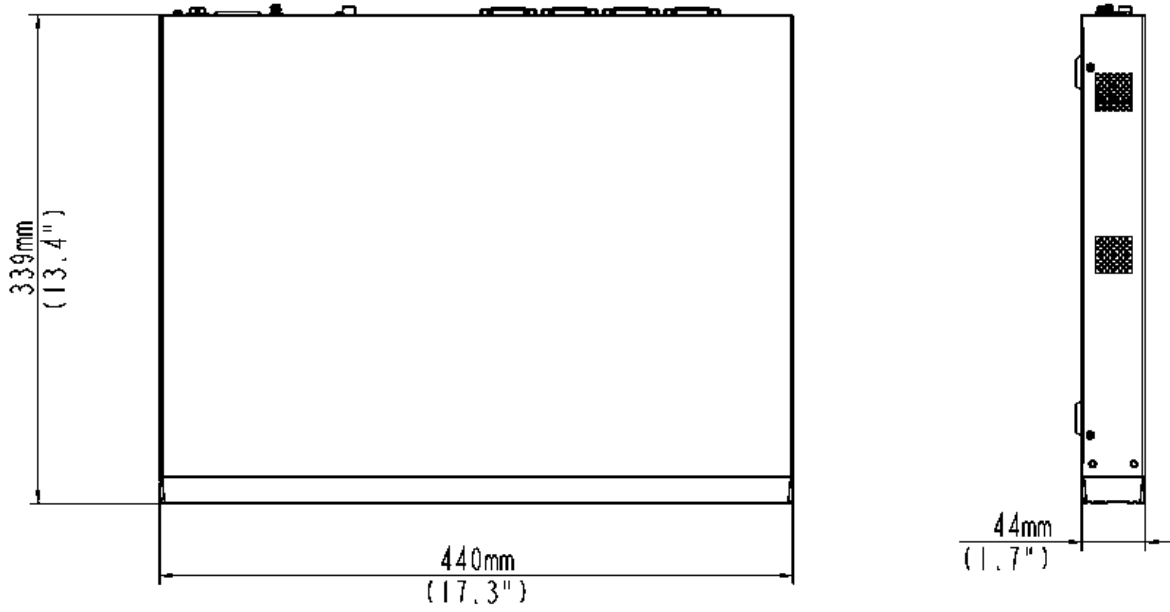
DC5506 Support up to 6 video-wall display units

DC5509 Support up to 9 video-wall display units

Specifications

	DC5506	DC5509
Video Input		
DVI-D input	1-ch, 1024x768 (XGA) @60HZ、1280x720 (720P) @60HZ、1280x1024 (SXGA) @60HZ、1440x900 (WSXGA) @60HZ、1600x1200 (UXGA) @60HZ、1920x1080 (1080P) @60HZ	
Video Output		
DVI-D output	6-ch 1024x768 (XGA) @60HZ、1280x720 (720P) @60HZ、1280x1024 (SXGA) @60HZ、1440x900 (WSXGA) @60HZ、1600x1200 (UXGA) @60HZ、1920x1080 (1080P) @60HZ	9-ch 1024x768 (XGA) @60HZ、1280x720 (720P) @60HZ、1280x1024 (SXGA) @60HZ、1440x900 (WSXGA) @60HZ、1600x1200 (UXGA) @60HZ、1920x1080 (1080P) @60HZ
Video Decoding		
Video Stream Format	H.265/H.264	
Decoding Capability	6x4K@30, 24x1080P@30, 54x720P@30, 96xD1	9x4K@30, 36x1080P@30, 81x720P@30, 144xD1
Display split	1/2/3/4/6/7/9/16	
External Interface		
Audio Input	1-ch (Reservation)	
Audio Output	1-ch (Reservation)	
Alarm Input	6 (Reservation)	
Alarm Output	3 (Reservation)	
Serial Interface	1 RS-232, 1 RS485	
Network Interface	1 RJ-45, 10M/100M/1000M adaptive Ethernet Interfaces	
USB Interface	1, USB 3.0	
WIFI	1 (Reservation)	
General		
Power Supply	100~240 VAC	
Consumption	<54 W	
Working Temperature	-10°C ~ + 55°C	
Working Humidity	5% ~ 95% (No-condensing)	
Weight	3.5 Kg	
Dimensions (H x D x W)	44mm (H) × 440mm (V) × 339mm (D)	

Dimensions

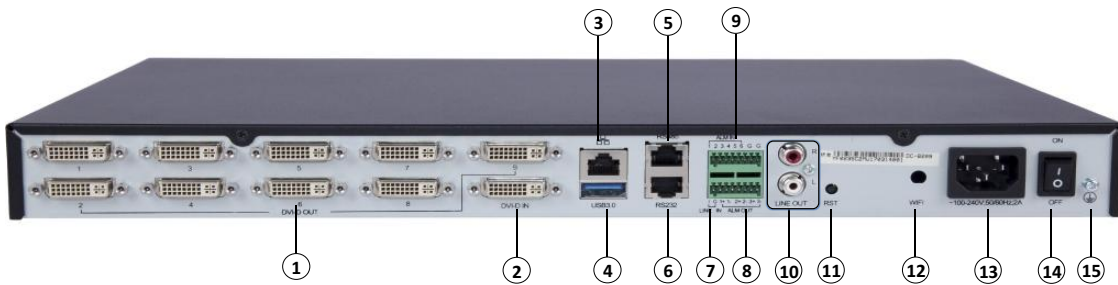


Rear Panel



Front view

(1) Running LED	(2) ALM LED	(3) NET LED
(4) WIFI LED	(5) DEC LED	



Rear view

(1) DVI-D OUT	(2) DVI-D IN	(3) Ethernet Interface
(4) USB 3.0	(5) RS-485	(6) RS-232
(7) LINE IN	(8) ALM OUT	(9) ALM IN
(10) LINE OUT	(11) RST	(12) WIFI
(13) AC Power Input	(14) Power Switch	(15) Grounding

Zhejiang Uniview Technologies Co.,Ltd.

Building No.10, Wanlun Science Park, Jiangling Road 88, Binjiang District, Hangzhou, Zhejiang, China

Email: overseasbusiness@uniview.com; globalsupport@uniview.com

<http://www.uniview.com>

©2011-2016 Zhejiang Uniview Technologies Co.,Ltd. All rights reserved.

*Product specifications and availability are subject to change without notice.