

2MP WDR Starlight Fixed Bullet Network Camera

IPC2222EBR5-HDUPF40/60



Key Features

Optics

- Starlight illumination
- 60fps Frame Rate
- Day/night functionality
- SmartIR, up to 50 m (164 ft) IR distance
- IR anti-reflection window to increase the infrared transmittance
- 120dB TRUE WDR
- 2D/3D DNR (Digital Noise Reduction)

Compression

- Ultra265, H.265, H.264, MJPEG
- Embedded smart algorithm
- Triple streams
- ROI (Region of Interest)
- 9:16 corridor format

Network

- ONVIF Conformance

Structure

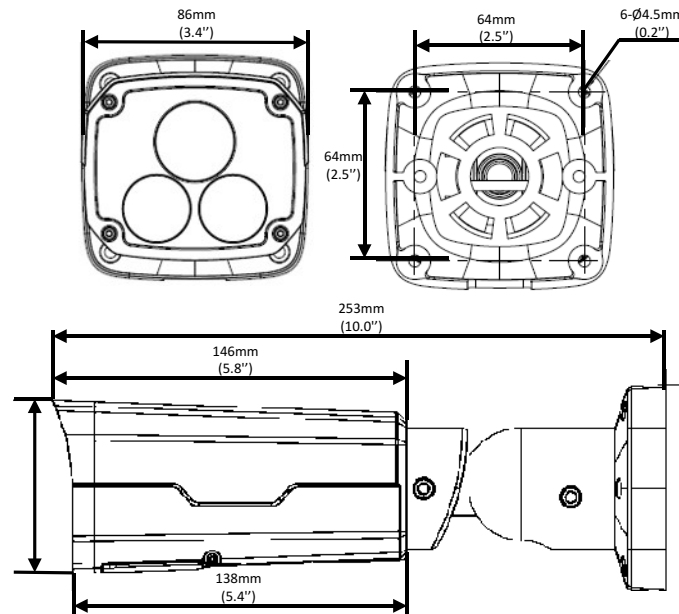
- Wide temperature range: -35°C to 60°C (-31°F to 140°F)
- Wide voltage range of ±25%
- IP67
- 3-Axis

Specifications

	IPC2222EBR5-HDUPF40/60	IPC2222EBR5-HDUPF40/60			
Camera					
Sensor	1/2.8" ,progressive scan,2.0 megapixel, CMOS				
Lens	4.0mm@F1.6		6.0mm@F1.6		
DORI Distance	Lens	Detect (m)	Observe (m)	Recognize (m)	Identify (m)
	4mm	64.3	25.7	12.9	6.4
	6mm	96.4	38.6	19.3	9.6
Angle of View(H)	78.7°		53.3°		
Angle of View (V)	42.8°		29.3°		
Angle of View (O)	96.8°		65.5°		
Adjustment angle	Pan: 0°~360°		Tilt: 0°~90°		Rotate: 0°~360°
Shutter	Auto/Manual, 1~1/100000 s				
Minimum Illumination	Colour: 0.001Lux (F1.6, AGC ON) 0 Lux with IR on				
Day/Night	IR-cut filter with auto switch (ICR)				
Digital noise reduction	2D/3D DNR				
S/N	>52dB				
IR Range	Up to 50m (164 ft) IR range				
Defog	Digital Defog				
WDR	120dB				
Video					
Video Compression	Ultra265, H.265, H.264, MJPEG				
H.264 code profile	Baseline profile, Main Profile, High Profile				
Frame Rate	Main Stream:2MP (1920×1080): Max. 60fps; Sub Stream: 2MP (1920×1080): Max.30 fps; Third Stream:D1 (720×576): Max. 30fps;				
9:16 Corridor Mode	Supported				
ROI	Supported				
HLC	Supported				

OSD	Up to 8 OSDs
Privacy Mask	Up to 8 areas
ROI	Up to 8 areas
Smart	
Behavior Detection	Intrusion, cross line, motion detection
Intrusion	Enter and loiter in a pre-defined virtual region
cross line	Cross a pre-defined virtual line
motion detection	Moving within a pre-defined virtual region
Recognition:	Face detection
Intelligent Identification	Defocus, Scene Change, Object Left, Object Moving
Statistical Analysis	People counting
General Function	Watermark, IP Address Filtering, output/input Alarm, Access Policy, ARP Protection, RTSP Authentication, User Authentication
Storage	
Edge Storage	Micro SD, up to 128 GB
Network Storage	ANR
Network	
Protocols	IPv4, IGMP, ICMP, ARP, TCP, UDP, DHCP, PPPoE, RTP, RTSP, RTCP, DNS, DDNS, NTP, FTP, UPnP, HTTP, HTTPS, SMTP, 802.1x, SNMP
Compatible Integration	ONVIF(Profile S, Profile G), API
Interface	
Network	1 RJ45 10M/100M Base-TX Ethernet
General	
Power	12 V DC±25%, PoE (IEEE802.3 af)
	Power consumption: Max 7.5W
Dimensions (L × W × H)	253.4×86×71.7 (9.98" × 3.4" × 2.8")
Weight	1.0kg (2.2lb)
Working Environment	-35°C ~ +60°C (-31°F ~ 140°F), Humidity:10%~95% RH(non-condensing)
Ingress Protection	IP67
Vandal Resistant	IK10

Dimensions



Zhejiang Uniview Technologies Co., Ltd.

Building No.10, Wanlun Science Park, Jiangling Road 88, Binjiang District, Hangzhou, Zhejiang, China (310051)

Email: overseasbusiness@uniview.com; globalsupport@uniview.com

<http://www.uniview.com>

©2018 Zhejiang Uniview Technologies Co., Ltd. All rights reserved.

*Product specifications and availability are subject to change without notice.