

2MP Vandal-resistant IR Fixed Mini Dome Camera

IPC312SR-DVPF28 (40)-C



Key Features

Optics

- Day/night functionality
- Smart IR, up to 20 m (65 ft) IR distance
- 2D/3D DNR (Digital Noise Reduction)
- Car-grade LEDs, brighter and uniform light compensation

Compression

- Ultra 265, H.265, H.264, MJPEG
- Embedded smart algorithm
- Triple streams
- ROI (Region of Interest)
- Customized OSD

Network

- ONVIF Conformance

Structure

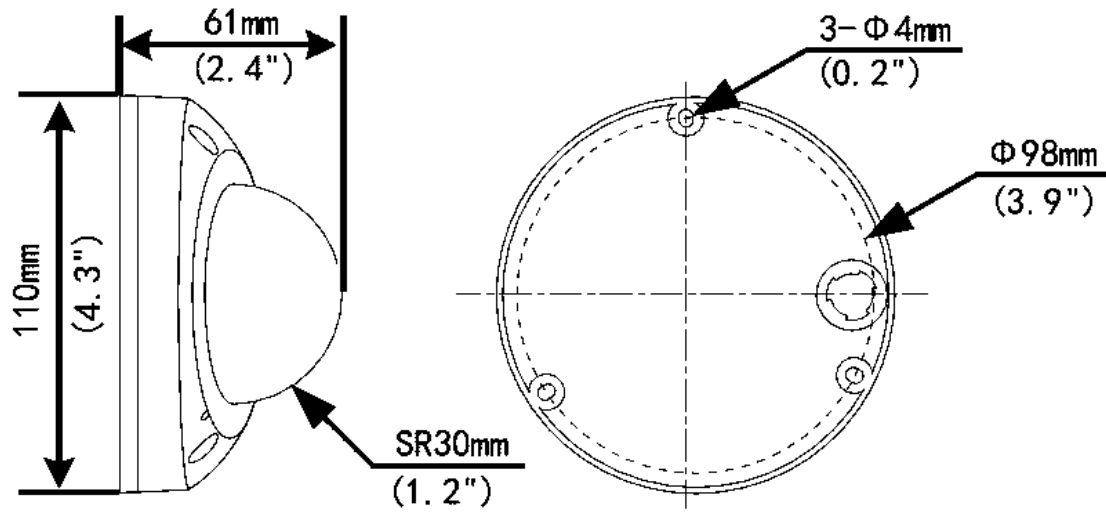
- Wide temperature range: -35°C to 60°C (-31°F to 140°F)
- Wide voltage range of $\pm 25\%$
- Built-in microphone
- IK10 vandal resistant
- IP66

Specifications

| | IPC312SR-DVPPF28-C | IPC312SR-DVPPF40-C | | | |
|-------------------------|---|--------------------|--------------|--------------|-----------------|
| Camera | | | | | |
| Sensor | 1/2.7", progressive scan ,2.0 megapixel, CMOS | | | | |
| Lens | 2.8mm@F2.0 | | 4.0 mm@F2.0 | | |
| DORI Distance | Lens | Detect(m) | Observe(m) | Recognize(m) | Identify(m) |
| | 2.8mm | 45 | 18 | 9 | 4.5 |
| | 4mm | 64.3 | 25.7 | 12.9 | 6.4 |
| Angle of View (H) | 107.8° | | 82.0° | | |
| Angle of View (V) | 56.7° | | 41.4° | | |
| Angle of View (O) | 140.2° | | 100.9° | | |
| Adjustment angle | Pan:-30°~30° | | Tilt: 0°~90° | | Rotate: 0°~360° |
| Shutter | Auto/Manual, 1/6~1/100000 s | | | | |
| Minimum Illumination | Colour: 0.005Lux (F2.0, AGC ON) 0 Lux with IR | | | | |
| Day/Night | IR-cut filter with auto switch (ICR) | | | | |
| Digital noise reduction | 2D/3D DNR | | | | |
| S/N | ≥ 52 dB | | | | |
| IR Range | Up to 20m (65 ft) IR range | | | | |
| Defog | Digital Defog | | | | |
| WDR | 120db WDR | | | | |
| Video | | | | | |
| Video Compression | Ultra 265,H.265, H.264,MJPEG | | | | |
| H.264 code profile | Baseline profile, Main Profile, High Profile | | | | |
| Frame Rate | Main Stream:2MP (1920×1080): Max. 30 fps; Sub Stream:2MP (1920×1080): Max. 30 fps; Third Stream:D1 (720×576): Max. 30 fps | | | | |
| HLC | Supported | | | | |
| BLC | Supported | | | | |
| 9:16 Corridor Mode | Supported | | | | |
| OSD | Up to 8 OSDs | | | | |
| Privacy Mask | Up to 8 areas | | | | |
| ROI | Up to 8 areas | | | | |
| Motion Detection | Up to 4 areas | | | | |

| Smart | |
|----------------------------|---|
| Behavior Detection | Intrusion, cross line, motion detection |
| Intrusion | Enter and loiter in a pre-defined virtual region |
| cross line | Cross a pre-defined virtual line |
| motion detection | Moving within a pre-defined virtual region |
| Recognition | Face detection、 Audio detection |
| Intelligent Identification | Defocus, Scene Change |
| Statistical Analysis | People counting |
| General Function | Watermark, IP Address Filtering, Tampering Alarm, Access Policy, ARP Protection, RTSP Authentication, User Authentication |
| Audio | |
| Audio Compression | G.711 |
| Two-way audio | Supported |
| Suppression | Supported |
| Sampling Rate | 8 KHZ |
| Storage | |
| Edge Storage | Micro SD, Up to 128 GB |
| Network Storage | ANR |
| Network | |
| Protocols | IPv4, IGMP, ICMP, ARP, TCP, UDP, DHCP, PPPoE, RTP, RTSP, RTCP, DNS, DDNS, NTP, FTP, UPnP, HTTP, HTTPS, SMTP, 802.1x, SNMP |
| Compatible Integration | ONVIF(Profile S, Profile G), API |
| Interface | |
| Audio I/O | audio cable |
| | Input: impedance 35 kΩ; amplitude 2 V [p-p] |
| | Output: impedance 600 Ω; amplitude 2 V [p-p] |
| Built-in Mic | Supported |
| Network | 1 RJ45 10M/100M Base-TX Ethernet |
| General | |
| Power | 12 V DC±25%, PoE (IEEE 802.3af) |
| | Power consumption: Max 5W |
| Dimensions (Ø x H) | Φ110 x 61 mm (Ø4.3" x 2.4") |
| Weight | 0.25 kg (0.55 lb) |
| Working Environment | -35°C ~ +60°C (-31°F ~ 140°F), Humidity:10%~95% RH(non-condensing) |
| Ingress Protection | IP66 |
| Vandal Resistant | IK10 |

Dimensions



Accessories

| Installation mode | Accessories | Description |
|-------------------|--|---|
| Ceiling mount | Mounting pedestal is included in the Product package | TR-JB03-D-IN junction box and TR-A01-IN waterproof joint for the junction is optional |

Zhejiang Uniview Technologies Co., Ltd.

South Tower, Building 10, Wanlun Science Park, 88 Jiangling Road, Hangzhou, P.R.China 310051

Email: overseasbusiness@uniview.com; globalsupport@uniview.com

<http://www.uniview.com>

©2018 Zhejiang Uniview Technologies Co., Ltd. All rights reserved.

*Product specifications and availability are subject to change without notice.