

1.3MP Network IR Fixed Dome Camera

IPC3611SR3Series



Key Features

Optics

- Day/night functionality
- Optical glass window with higher light transmittance
- IR anti-reflection window to increase the infrared transmittance
- Up to 30 m (98 ft) IR distance
- 3D noise reduction

Compression

- H.264/MJPEG
- Triple streams

Network

- ONVIF Conformance

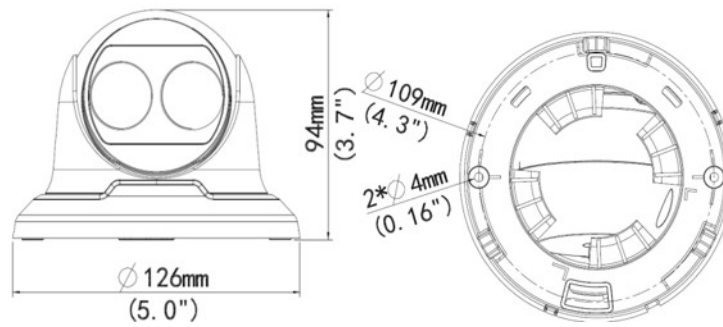
Structure

- Support PoE power supply (optional)
- Wide temperature range: -35°C to 60°C (-31°F to 140°F)
- Wide voltage range of $\pm 25\%$
- 4 KV surge protection designed for network interface
- IP67

Specifications

	IPC3611SR3-PF28	IPC3611SR3-PF36	IPC3611SR3-PF60
Camera			
Sensor	1/3", 1.3megapixel, progressive scan, CMOS		
Lens	2.8mm@F1.8	3.6mm@F1.8	6mm@F1.8
Angle of View(H)	105.2°	79.7°	51.6°
Shutter	Auto/Manual, 1/6~1/100000 s		
Min. Illumination	Colour: 0.02 Lux (F1.8, AGC ON) 0 Lux with IR		
IR	30m (98ft) IR range		
Day/Night	IR-cut filter with auto switch (ICR)		
WDR	Digital		
AWB(Auto white balance)	Auto/manual		
Gain Control	Auto/manual		
Noise Reduction	2D/3D		
Video			
Max. Resolution	1280×960		
Video Compression	H.264/MJPEG		
Frame Rate	960P (1280*960): Max. 30 fps; 720P (1280*720): Max. 10 fps; 960P (1280*960): Max. 25 fps; 720P (1280*720): Max. 15 fps; D1 (720*576): Max. 6 fps		
Video Streaming	Triple		
Evaluative Metering	Supported		
OSD	Up to 8 OSDs		
Motion Detection	Up to 2 areas		
Privacy Mask	Up to 4 areas		
Network			
Protocols	IPv4,IGMP,ICMP,ARP,TCP,UDP,DHCP,RTP,RTSP,DNS,DDNS,NTP,FTP,UPnP,HTTP		
Compatible Integration	ONVIF		
Interface			
Network	10M/100M Base-TX Ethernet		
General			
Power	12 V DC, or PoE (IEEE802.3 af)		
	Power consumption: 3.5 W (5.5W with IR on)		
Dimensions (Ø x H)	Ø126 x 94 mm (Ø5.0" x 3.7")		
Weight	0.33 kg (0.73lb)		
Working Environment	-35°C ~ +60°C (-31°F ~ 140°F), Humidity ≤ 90% RH(non-condensing)		
Ingress Protection	IP67		

Dimensions



Zhejiang Uniview Technologies Co., Ltd.

South Tower, Building 10, Wanlun Science Park, 88 Jiangling Road, Hangzhou, P.R.China 310051

Email: overseasbusiness@uniview.com; globalsupport@uniview.com

<http://www.uniview.com>

©2015 -2017Zhejiang Uniview Technologies Co., Ltd. All rights reserved.

*Product specifications and availability are subject to change without notice.