

# Network Video Recorder

## NVR301-S Series



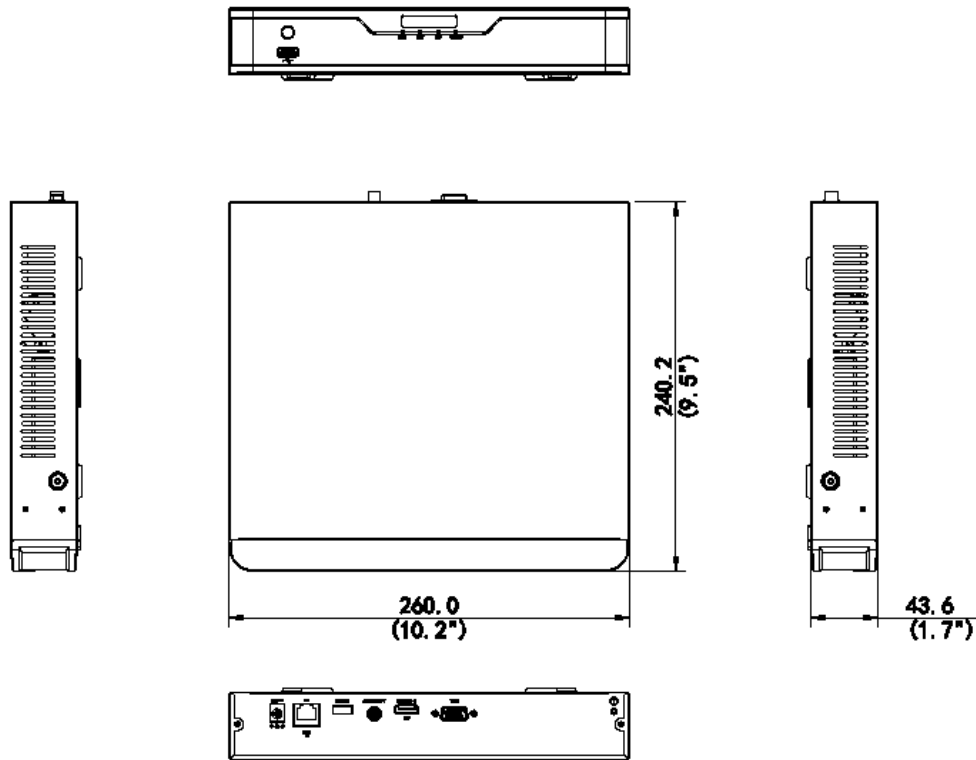
### Key Features

- 4/8-channel input
- Third-party IP cameras supported with ONVIF conformance
- Support 1-ch HDMI, 1-ch VGA, HDMI at up to 4K(3840x2160) resolution
- Up to 8 Megapixels resolution recording
- Support H.265/H.264 video formats
- Accurate retrieval, instant playback
- Up to 8TB for each disk
- Support for P2P, UPnP, NTP, DHCP, PPPoE
- Support for mobile client access

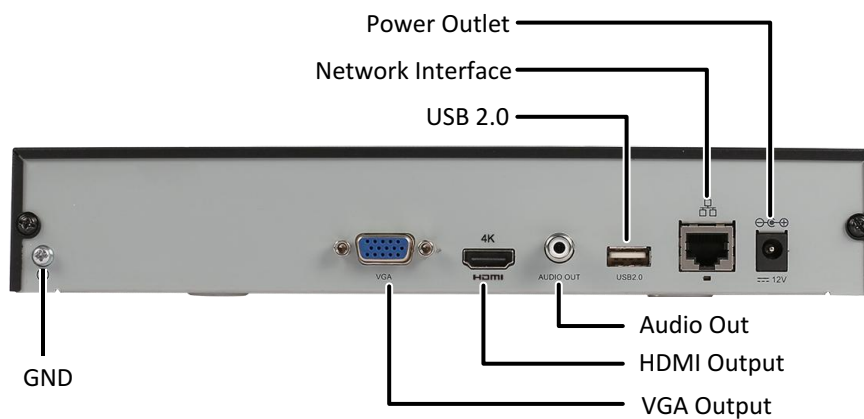
## Specifications

	NVR301-04S	NVR301-08S
<b>Video/Audio Input</b>		
IP Video Input	4-ch	8-ch
<b>Network</b>		
Incoming bandwidth	40Mbps	48Mbps
Outgoing bandwidth	48Mbps	48Mbps
Remote Users	128	
<b>Video/Audio Output</b>		
HDMI/VGA Output	HDMI: 4K (3840x2160) /30Hz, 1920x1080p /60Hz, 1920x1080p /50Hz, 1600x1200 /60Hz, 1280x1024 /60Hz, 1280x720 /60Hz, 1024x768 /60Hz VGA: 1920x1080p /60Hz, 1920x1080p /50Hz, 1600x1200 /60Hz, 1280x1024 /60Hz, 1280x720 /60Hz, 1024x768 /60Hz	
Audio Output	1-ch, RCA	
Recording Resolution	8MP/6MP/5MP/4MP/3MP/1080p/960p/720p/D1/2CIF/CIF	
Synchronous Playback	4-ch	8-ch
<b>Decoding</b>		
Compression	H.265/H.264	
Live view/ Playback	8MP/6MP/5MP/4MP/3MP/1080p/960p/720p/D1/2CIF/CIF	
Capability	1 x 4K@30, 2 x 4MP@30, 4 x 1080p@30, 8 x 720p@30	
<b>Hard Disk</b>		
SATA	1 SATA interface	
Capacity	up to 8TB for each disk	
<b>External Interface</b>		
Network Interface	1 RJ-45 10M/100M self-adaptive Ethernet Interface	
USB Interface	Rear panel: 1 x USB2.0, Front panel: 1 x USB2.0	
<b>General</b>		
Power Supply	12V DC	
Consumption ( without HDD )	≤ 5 W	
Working Temperature	-10°C ~ + 55°C ( +14°F ~ +131°F )	
Working Humidity	10% ~ 90%	
Dimensions	43.6mm × 240.2mm × 260.0mm ( 1.7" × 9.5" × 10.2" )	
Weight ( without HDD )	≤ 1 Kg (2.2 lb )	

## Dimensions



## Rear Panel



### Zhejiang Uniview Technologies Co., Ltd.

Building No.10, Wanlun Science Park, Jiangling Road 88, Binjiang District, Hangzhou, Zhejiang, China

Email: [overseasbusiness@uniview.com](mailto:overseasbusiness@uniview.com); [globalsupport@uniview.com](mailto:globalsupport@uniview.com)

<http://www.uniview.com>

©2017 Zhejiang Uniview Technologies Co.,Ltd. All rights reserved.

\*Product specifications and availability are subject to change without notice.