

# Network Video Recorder

## NVR301-P Series



### Key Features

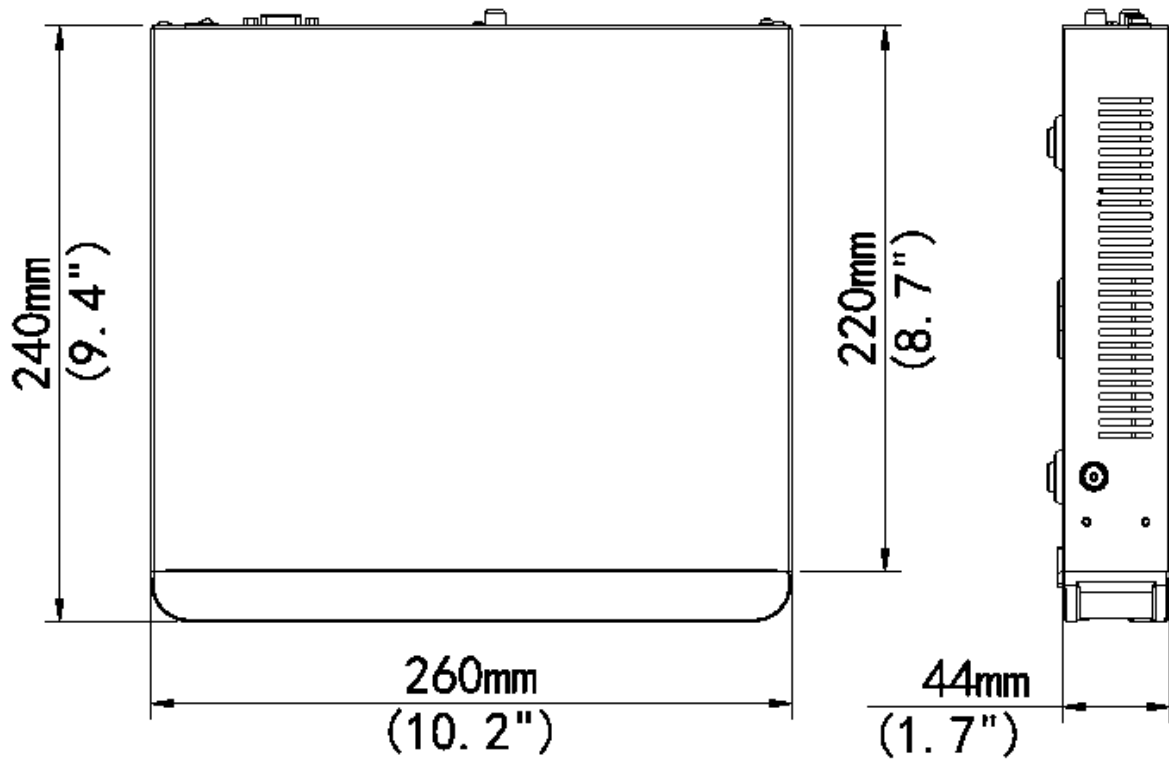
- 4/8/16-channel input
- Plug & Play with 4/8 independent PoE network interfaces
- Third-party IP cameras supported with ONVIF conformance
- Support 1-ch HDMI, 1-ch VGA, HDMI at up to 4K(3840x2160) resolution
- Up to 8 Megapixels resolution recording
- Support H.265/H.264 video formats
- Accurate retrieval, instant playback
- 1 SATA HDD up to 8 TB
- Support for P2P, UPnP, NTP, DHCP, PPPoE
- Support for mobile client access

## Specifications

Model	NVR301-04-P4	NVR301-08-P8	NVR301-16-P8
<b>Video/Audio Input</b>			
IP Video Input	4-ch	8-ch	16-ch
Two-way Audio Input	1-ch, RCA		
<b>Network</b>			
Incoming Bandwidth	40Mbps	60Mbps	60Mbps
Outgoing Bandwidth	64Mbps	64Mbps	80Mbps
Remote Users	128		
<b>Video/Audio Output</b>			
HDMI/VGA Output	HDMI: 4K (3840x2160) /30Hz, 1920x1080p /60Hz, 1920x1080p /50Hz, 1600x1200 /60Hz, 1280x1024 /60Hz, 1280x720 /60Hz, 1024x768 /60Hz VGA: 1920x1080p /60Hz, 1920x1080p /50Hz, 1600x1200 /60Hz, 1280x1024 /60Hz, 1280x720 /60Hz, 1024x768 /60Hz		
Recording Resolution	8MP/6MP/5MP/4MP/3MP/1080p/960p/720p/D1/2CIF/CIF		
Audio Output	1-ch, RCA		
Synchronous Playback	4-ch	8-ch	16-ch
<b>Decoding</b>			
Compression	H.265/H.264		
Live view /Playback	8MP/6MP/5MP/4MP/3MP/1080p/960p/720p/D1/2CIF/CIF		
Capability	1 x 4K@30, 2 x 4MP@30, 4 x 1080p@30, 8 x 720p@30, 16 x D1		
<b>Hard Disk</b>			
SATA	1 SATA interface		
Capacity	up to 8TB for each disk		
<b>External Interface</b>			
Network Interface	1 RJ-45 10M/100M self-adaptive Ethernet Interface		
USB Interface	Rear panel: 2 x USB2.0, Front panel: 1 x USB2.0		
Alarm In	4-ch		
Alarm Out	1-ch		
<b>PoE</b>			
Interface	4 independent 100 Mbps PoE network interfaces	8 independent 100 Mbps PoE network interfaces	
Max Power	Max 30W for single port Max 54W in total ( 13.5W for each )	Max 30W for single port Max 108W in total ( 13.5W for each )	
Supported Standard	IEEE 802.3at, IEEE 802.3af		
<b>General</b>			
Power Supply	48V DC	52V DC	

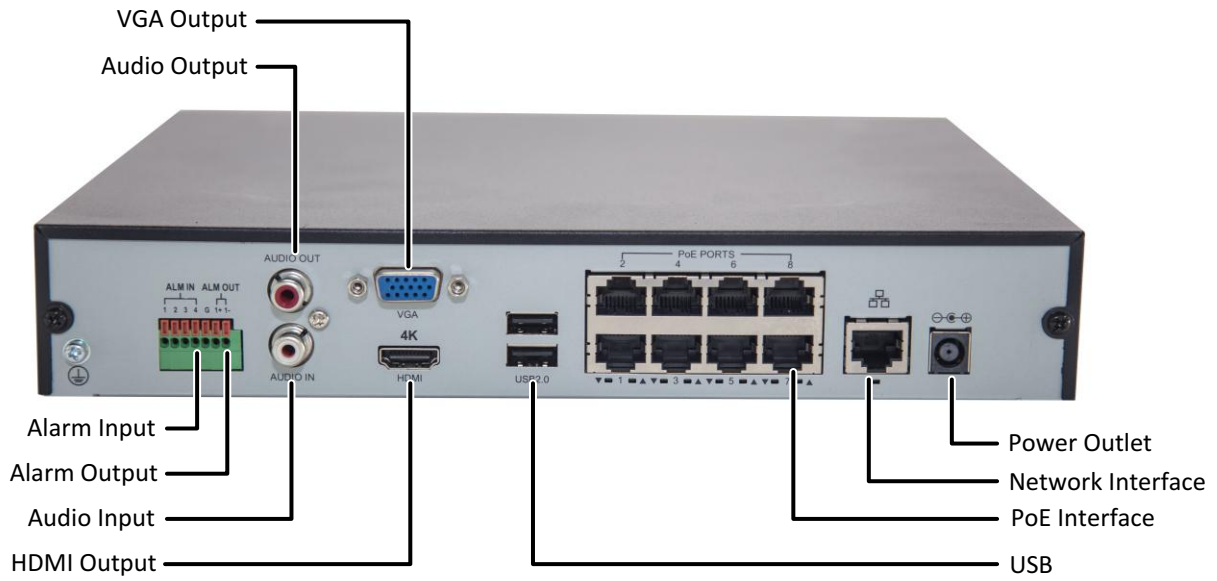
Consumption ( without HDD )	≤ 5 W
Working Temperature	-10°C ~ + 55°C ( +14°F ~ +131°F )
Working Humidity	10% ~ 90%
Dimensions	44 × 260 × 240mm ( 1.7" × 10.2" × 9.4" )
Weight ( without HDD )	≤ 1.12 Kg ( 2.47 lb )

## Dimensions



## Rear Panel

Take NVR301-08-P8 for example



**Zhejiang Uniview Technologies Co., Ltd.**

Building No.10, Wanlun Science Park, Jiangling Road 88, Binjiang District, Hangzhou, Zhejiang, China

Email: [overseasbusiness@uniview.com](mailto:overseasbusiness@uniview.com); [globalsupport@uniview.com](mailto:globalsupport@uniview.com)

<http://www.uniview.com>

©2011-2017 Zhejiang Uniview Technologies Co.,Ltd. All rights reserved.

\*Product specifications and availability are subject to change without notice.