

ULISSE RADICAL

OUTDOOR IP PTZ UNITS WITH TOP PERFORMANCE CAMERAS AND LENSES



MAIN FEATURES

PTZ unit with factory-assembled and pre-configured camera and lens up to 500mm

Minimum Illumination, Colour (ICR-OFF):

- zoom 18x: 0.08lx, 50 IRE F2.5, 1/30s
- zoom 33x: 0.1lx, 50 IRE F3.0, 1/30s

Minimum Illumination, B/W (ICR-ON):

- zoom 18x: 0.06lx, 50 IRE F2.5, 1/30s
- zoom 33x: 0.07lx, 50 IRE F3.0, 1/30s

IR corrected lens

Thermal Compensation System and Visible Cut Filter

Pre-wired camera and lens through snap-on connector

Total control of the auxiliary functions through the PTZ assistant

Horizontal continuous rotation

Optical sensors for absolute positioning feedback

Position accuracy: 0.02°

Up to 250 Presets

Integrated wiper

Operating temperature: -40°C / +60°C (-40°F / +140°F)

OPTIONS:

Prearrangement for mounting of two UPTIRN LED illuminators

DESCRIPTION

ULISSE RADICAL is the first Videotec ready to use Full HD network PTZ system that integrates exceptional factory-assembled combinations of camera and lens, Full HD 1080p, 60fps and 1/2" CMOS sensor for day-time and night-time broadcast quality video.

To meet the most demanding video surveillance specifications, this PTZ camera unit is supplied with 18x or 33x lenses equipped with an advanced autofocus that allows and automatically maintains the focus on subjects at far distances with sharp details.

ULISSE RADICAL is certified ONVIF Profile S and is compatible with most VMS on the market.

Furthermore, the Videotec's PTZ ASSISTANT plug-in software supports any VMS with the control of all special functions such as wiper, washer pump, IR and Auto Focus.

Powerful motors guarantee exceptionally smooth tracking, even at a minimum speed of 0.02°/sec.

The performance remains optimal in complete darkness thanks to powerful LED illuminators that can reach distances of over 300m (985ft) with two UPTIRN illuminators (10°, 850nm).

ULISSE RADICAL with 33x zoom features a Thermal Compensation System and a Visible Cut Filter.

Due to its characteristics of accuracy, reliability and robustness, this PTZ camera is the ideal solution for the visual control of large outdoor areas, such as: border patrol, harbour surveillance, long distance perimeter surveillance, traffic and highways control, military installations ...



ULISSE RADICAL 33X



ULISSE RADICAL 18X + 2 ILLUMINATORS



ULISSE RADICAL 33X

Specifications subject to change without notice. © Videotec S.p.A. All rights reserved.



TECHNICAL DATA**GENERAL**

Constructed from aluminium and tecnopolymer
 Epoxypolyester powder painting, RAL9002 colour
 Top mount (OTT)
 Transmission through toothed belt
 Slip-ring
 Electronic limit switches
 Zero backlash
 Optical sensors for absolute positioning feedback
 Integrated wiper
 Pre-installed camera and lens

MECHANICAL

Cable glands: 3xM16
 Horizontal rotation: 360° continuous
 Zoom 18x:

- Vertical rotation: +90° to -40°
- Horizontal speed (variable): from 0.02°/s up to 100°/s (from 0.02°/s up to 40°/s, with LED illuminators)
- Tilt speed (variable): from 0.02°/s up to 50°/s (from 0.02°/s up to 30°/s, with LED illuminators)

 Zoom 33x:

- Vertical rotation: from +45° up to -20°
- Horizontal speed (variable): from 0.02°/s up to 20°/s
- Tilt speed (variable): from 0.02°/s up to 20°/s

 Internal usable area: See drawings
 Accuracy of the preset position restore: 0.02°
 Unit weight: 17kg (37lb) (18x), 30kg (66lb) (33x)

CAMERA

Day/Night Full HD, 60fps, CMOS 1/1.9" sensor
 Effective Pixels: 2.38 Megapixel
 Minimum Illumination Zoom 18x, Colour (ICR-OFF):

- 0.08lx, 50 IRE F2.5, 1/30s

 Minimum Illumination Zoom 18x, B/W (ICR-ON):

- 0.06lx, 50 IRE F2.5, 1/30s

 Minimum Illumination Zoom 33x, Colour (ICR-OFF):

- 0.1lx, 50 IRE F3.0, 1/30s

 Minimum Illumination Zoom 33x, B/W (ICR-ON):

- 0.07lx, 50 IRE F3.0, 1/30s

 Zoom 18x:

- Horizontal Viewing Angle: 40.6° (wide end) to 2.4° (tele end)
- Vertical Field of View: 30.8° (wide end) to 1.8° (tele end)

 Zoom 33x:

- Horizontal Viewing Angle: 23.42° (wide end) to 0.74° (tele end)
- Vertical Field of View: 17.74° (wide end) to 0.55° (tele end)

 S/N Ratio: more than 50 dB
 WDR (wide dynamic range): 90dB
 Electronic Shutter: 1/1 to 1/10,000 s
 Exposure Control: Exposure compensation, AGC, Electronic Shutter, Iris
 White balance: ATW, ATW PRO, Fluorescent lamp, Mercury lamp, Sodium vapor lamp, Metal halide lamp, White LED, Open Push WB, Manual
 Wide-D: View-DR
 Tone correction: Visibility enhancer
 Noise reduction: XDNR

VIDEO

Compression: H.264/AVC, JPEG
 Multiple video stream capability: up to 3 independent streams and up to 20 simultaneous clients
 Resolution: 1920x1080, 1280x720, 1024x576, 720x576, 720x480, 704x576, 640x480, 640x360, 352x288, 320x184
 Range of Bitrate setting: 64 kbps to 32 Mbps
 Selectable frame rate from 1 to 60 images per second (fps)

LENSES

Zoom 18x, 8.6-154mm, F2.5
 Zoom 33x, 15.2-500mm, F3.0 (Thermal compensation system and Visible Cut Filter)

ELECTRICAL

Power supply/Current consumption:

- 230Vac, 0.4A, 50/60Hz
- 24Vac, 4A (8A with LED illuminators), 50/60Hz
- 120Vac, 0.8A, 50/60Hz

 Power consumption:

- 100W
- 150-190W max with LED illuminators in 24Vac
- 28.5W (18x), 24W (33x), P&T stopped, heating switched off

 Camera power supply: 12Vdc (800mA)
 4 self-powered alarm inputs
 2 dry contacts: 30Vdc max or 30Vac, @ 1A

NETWORK

Ethernet connection: IEEE 802.3 100Base-Tx

NETWORK PROTOCOLS

- Protocol: ONVIF, Profile S
- Device configuration: TCP/IPv4, UDP/IPv4, HTTP, NTP, DHCP, WS-DISCOVERY, QoS
- Streaming: RTSP, RTCP, RTP

ENVIRONMENT

Indoor/Outdoor
 Operating temperature: from -40°C (-40°F) up to +60°C (140°F)
 Cold start with 18x lenses: -40°C (-40°F)
 Cold start with 33x lenses: -30°C (-22°F)
 Surge immunity: up to 2kV line to line, up to 4kV line to earth (Class 4)

CERTIFICATIONS

Electrical safety (CE): EN60950-1, IEC60950-1
 Electromagnetic compatibility (CE): EN50130-4, EN61000-6-4, EN55022 (Class A), FCC Part 15 (Class A)
 Outdoor installation (CE): EN60950-22, IEC60950-22
 Photobiological safety (CE): EN62471 (LED illuminators)
 IP protection degree: EN60529, IP66
 Salty fog resistance: EN50130-5, EN60068-2-52
 UL certification (except versions with 33x lenses): cULus Listed (TYPE 4X)
 EAC certification

ACCESSORIES	
UPTIRN108A00	LED illuminator for ULISSE, 10°, 850nm, 24Vac - 12/24Vdc
UPTIRN308A00	LED illuminator for ULISSE, 30°, 850nm, 24Vac - 12/24Vdc
UPTIRN608A00	LED illuminator for ULISSE, 60°, 850nm, 24Vac - 12/24Vdc
UPTIRN109A00	LED illuminator for ULISSE, 10°, 940nm, 24Vac - 12/24Vdc
UPTIRN309A00	LED illuminator for ULISSE, 30°, 940nm, 24Vac - 12/24Vdc
UPTIRN10WA00	LED illuminator for ULISSE, 10°, white light, 24Vac - 12/24Vdc
UPTIRN30WA00	LED illuminator for ULISSE, 30°, white light, 24Vac - 12/24Vdc
UPTIRN60WA00	LED illuminator for ULISSE, 60°, white light, 24Vac - 12/24Vdc
UPTIRPS230N	External power supply for ULISSE series, prearranged for two LED illuminators, and control to synchronize IR illuminators with camera Day/Night switching, IN 230Vac, in weatherproof box. Twilight sensor included.
UPTIRPS100N	External power supply for ULISSE series, prearranged for two LED illuminators, and control to synchronize IR illuminators with camera Day/Night switching, IN 100Vac, in weatherproof box
UPTIRPS120UL	External power supply for ULISSE series, prearranged for two LED illuminators, and control to synchronize IR illuminators with camera Day/Night switching, IN 120Vac, in weatherproof box. Twilight sensor included.
UPTJBUL	Junction weatherproof box for cables connexion (according UL norm)
WASPTOV5LSM00	Water tank 5l, pump with delivery up to 5m (16ft), IN 230Vac-24Vac-120Vac
WASPTOV23LSM00	Water tank 23l, pump with delivery up to 5m (16ft), IN 230Vac-24Vac-120Vac
WASPTOV23L11M00	Water tank 23l, pump with delivery up to 11m (36ft), IN 230Vac-24Vac-120Vac
WASPT1V23L30M00	Water tank 23l, pump with delivery up to 30m (98ft) with water floating, IN 230Vac
WASPT3V23L30M00	Water tank 23l, pump with delivery up to 30m (98ft) with water floating, IN 120Vac

BRACKETS AND ADAPTORS			
UPTWBTAB	Parapet bracket with internal cable channel		
UPTWBA	Wall bracket with internal cable channel		

PACKAGE			
Model Number	Weight	Dimensions (WxHxL)	Master carton
UPK1QAWAN00A	20kg (44lb)	66x33x57cm (26x13x22in)	-
UPK1QEWAN00A	38kg (84lb)	76x41x67cm (30x16x26.4in)	-

AVAILABLE MODELS									
Model Number	230vac	24Vac	120Vac	Camera Full HD 60fps Sensor CMOS 1/2"	18x lenses	33x lenses (Thermal compensation+Visible Cut Filter)	Wiper	Brackets for UPTIRN	ONVIF protocol, Profile S
UPK1QAWAN00A	✓	-	-	✓	✓	-	✓	-	✓
UPK1QEWAN00A	✓	-	-	✓	-	✓	✓	-	✓
UPK2QAJAN00A	-	✓	-	✓	✓	-	✓	✓	✓
UPK2QEJAN00A	-	✓	-	✓	-	✓	✓	✓	✓
UPK3QAWAN00A	-	-	✓	✓	✓	-	✓	-	✓
UPK3QEWAN00A	-	-	✓	✓	-	✓	✓	-	✓

Ulisse Radical 33x



Recognition 9 km / 5.592 miles

Identification 5.9 km / 3.666 miles

Ulisse Radical 18x



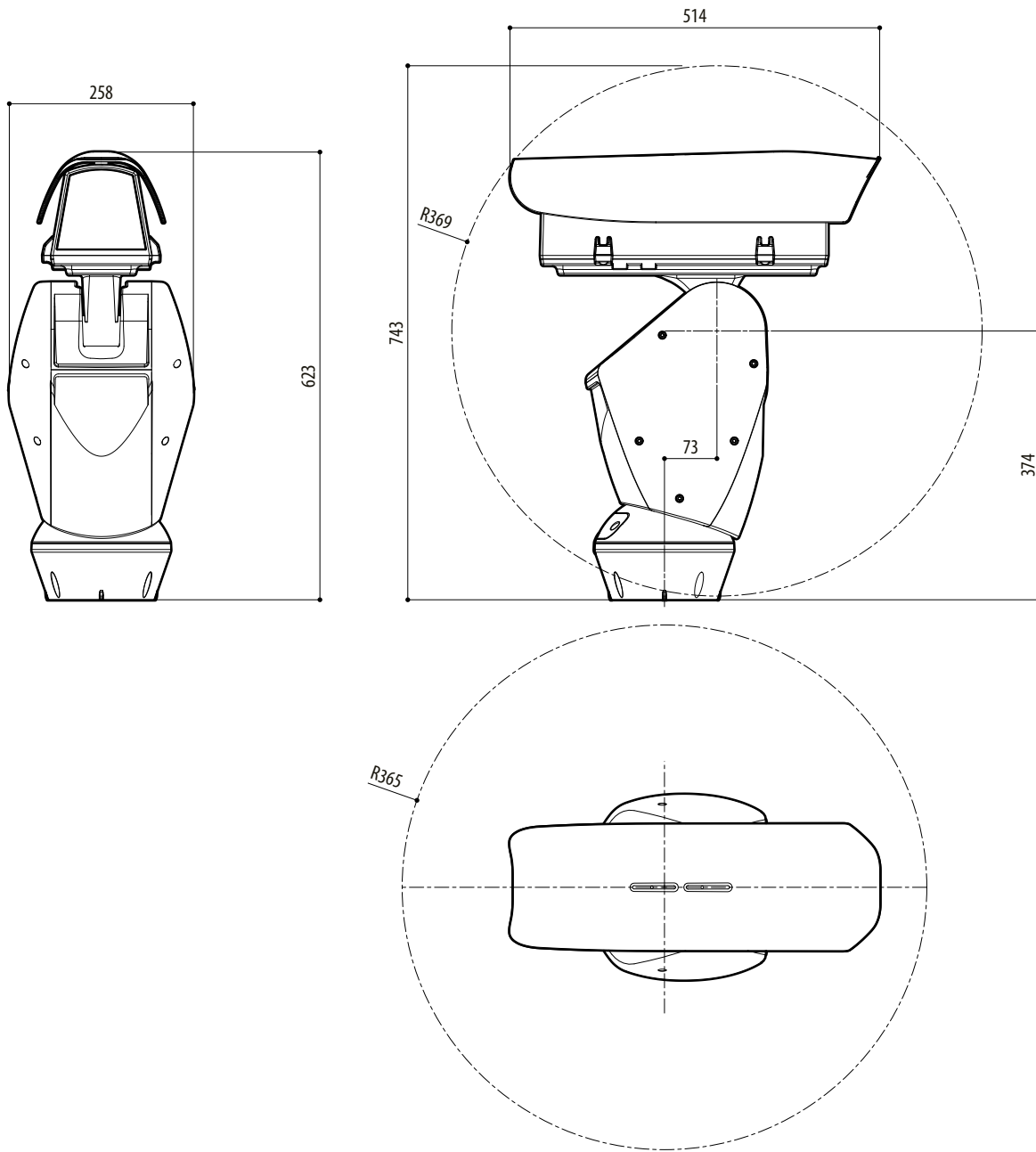
Recognition 5.5 km / 3.418 miles

Identification 3.5 km / 2.175 miles

PERFORMANCES ACCORDING TO JOHNSON'S CRITERIA

TECHNICAL DRAWINGS

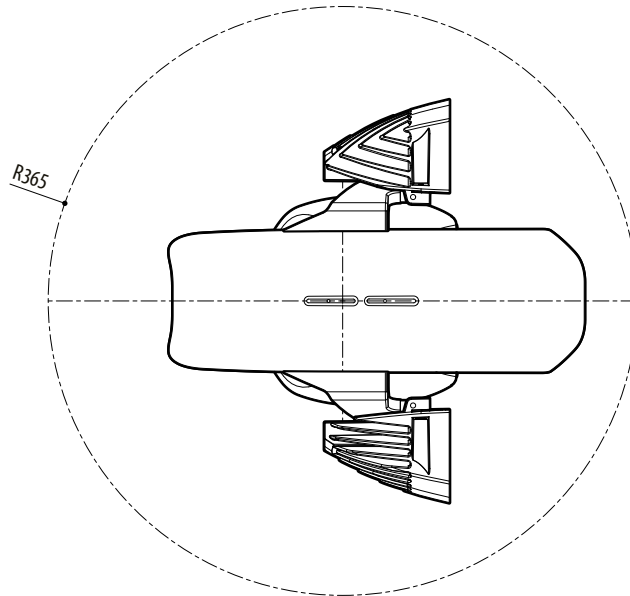
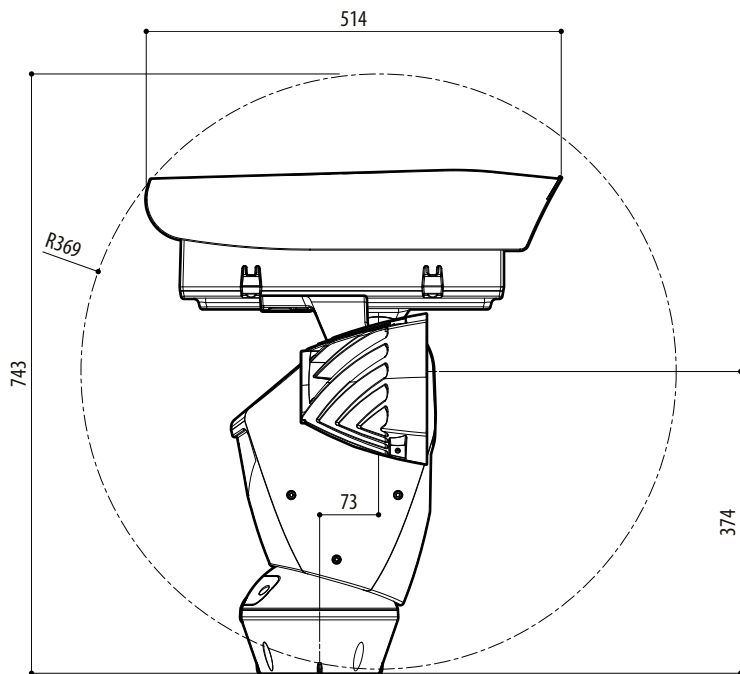
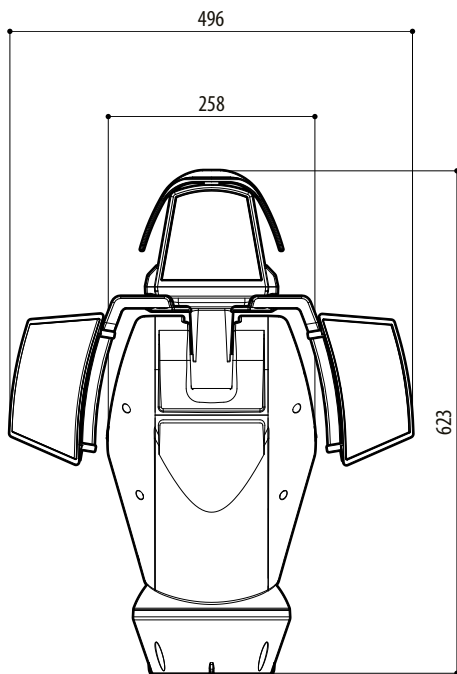
Sizes in millimeters.



ULISSE RADICAL, ZOOM 18X

TECHNICAL DRAWINGS

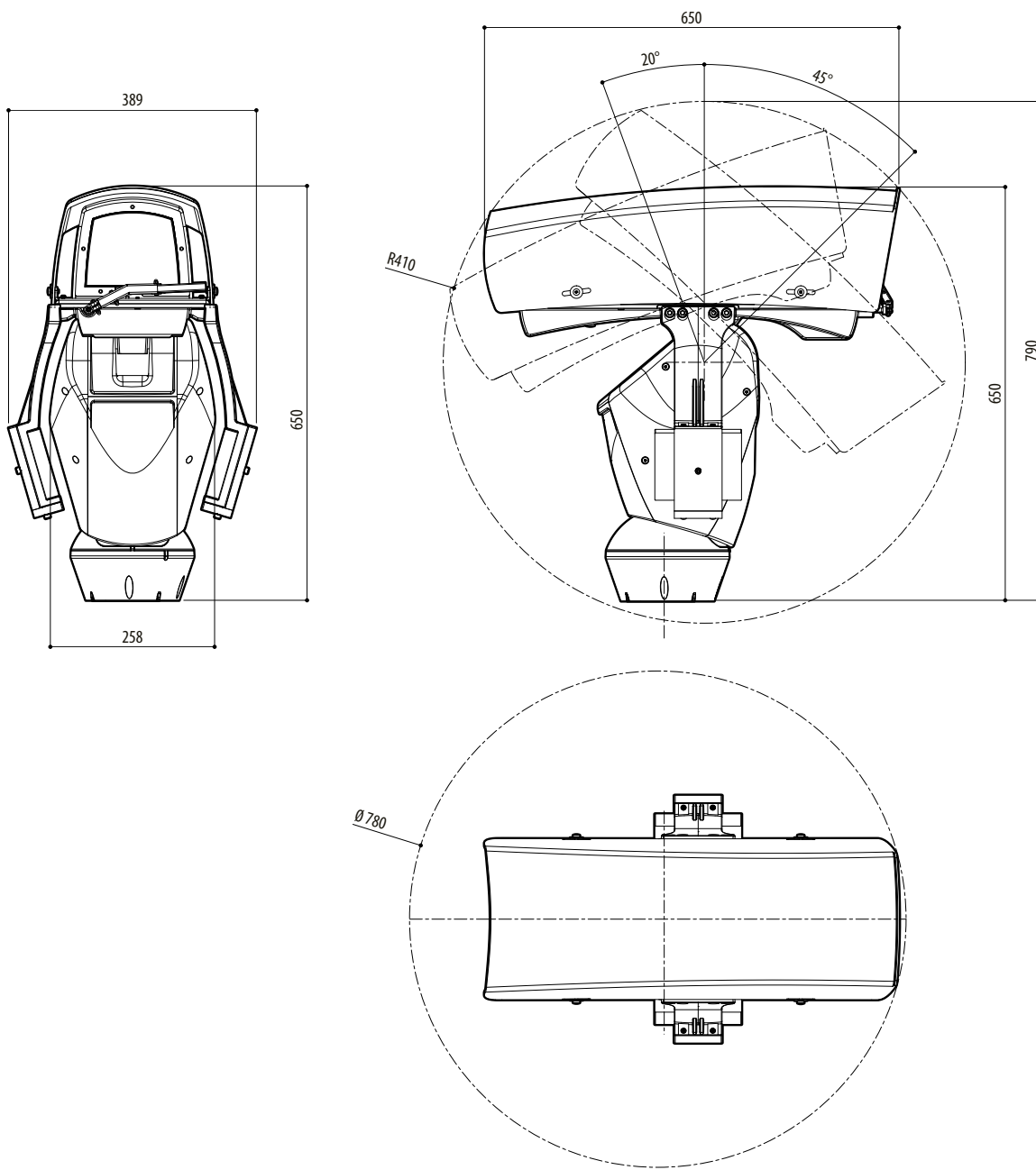
Sizes in millimeters.



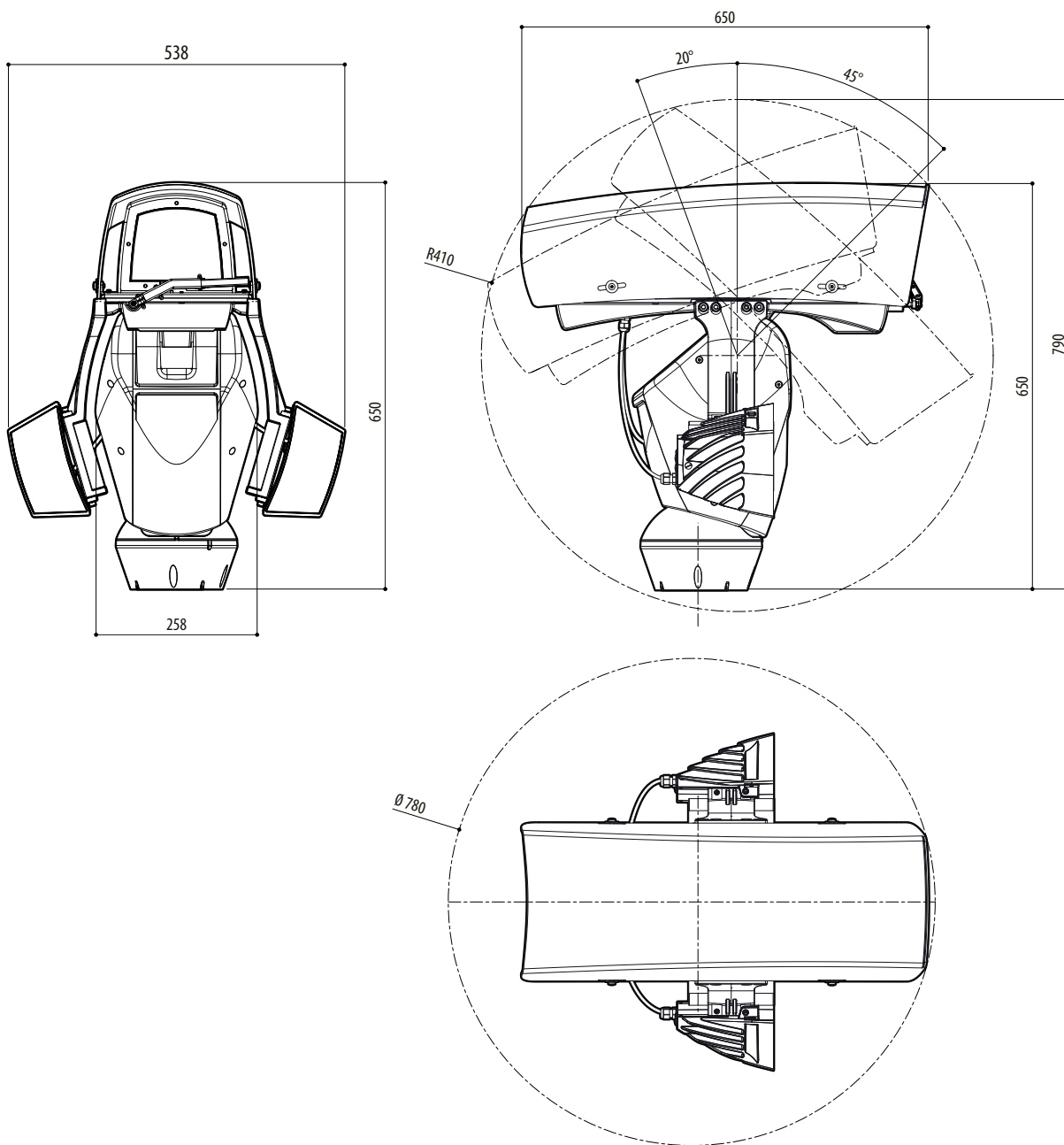
ULISSE RADICAL, ZOOM 18X, PRE-ARRANGED VERSION FOR TWO LED ILLUMINATORS INSTALLATION

TECHNICAL DRAWINGS

Sizes in millimeters.



ULISSE RADICAL, ZOOM 33X

TECHNICAL DRAWINGS*Sizes in millimeters.*

ULISSE RADICAL, ZOOM 33X, PRE-ARRANGED VERSION FOR TWO LED ILLUMINATORS INSTALLATION

