



FD816B-HT



FD816B-HF2

Fixed Dome Network Camera



2MP · SNV · WDR · 30M IR · P-iris · Remote Focus · 3DNR · Smart Stream · Smart IR · Video Rotation · PIR · Defog

VIVOTEK's FD816B-H is a series of indoor dome network cameras equipped with a Full HD sensor enabling viewing resolution of 1920x1080 at a smooth 30 fps. Representing a range of true all-in-one indoor cameras, this series is capable of capturing high quality and high resolution video at up to 2 Megapixels whether in high contrast or in low light environments with WDR and SNV technology.

Further increasing its flexibility, VIVOTEK's FD816B-H series provides options for both fixed focus for simple operation without extra electrical power, and remote focus with built-in stepping motors and P-iris to provide precise adjustment remotely.

To meet the demands of indoor applications, VIVOTEK's FD816B-H series is armed with a built-in PIR sensor to help detect unexpected events and provide security in real time.

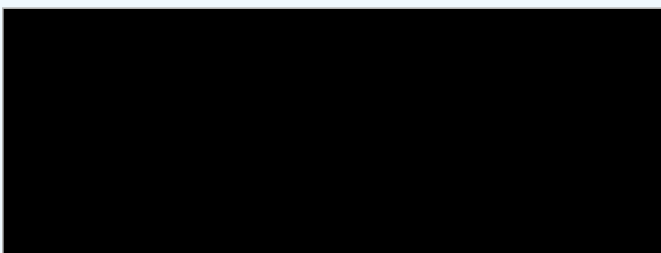
When selecting the VIVOTEK FD816B-H series, customers will be offered two options: the FD816B-HF2, and the FD816B-HT. Choosing the appropriate model will ensure any focusing requirements can be met.

Key Features

- 2-Megapixel CMOS Sensor
- 30 fps @ 1920x1080
- 2.8 ~ 12 mm, Vari-focal, Remote Focus, P-iris Lens (FD816B-HT)
- Built-in IR Illuminators, Effective up to 30 Meters
- WDR for Unparalleled Visibility in Extremely Bright and Dark Environments
- SNV (Supreme Night Visibility) for Low Light Conditions
- 3D Noise Reduction
- Two-way Audio
- Video Rotation for Corridor View
- Support Installation with AM-712 Indoor Conduit Box
- PIR
- VIVOTEK VCA (Video Content Analysis) Support



VIVOTEK SNV Camera - Show you true colors in the dark



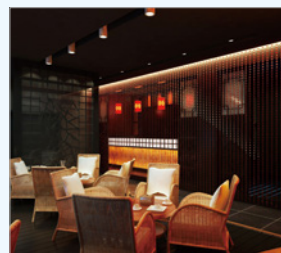
Ordinary Camera



Bank



Hotel



Restaurant



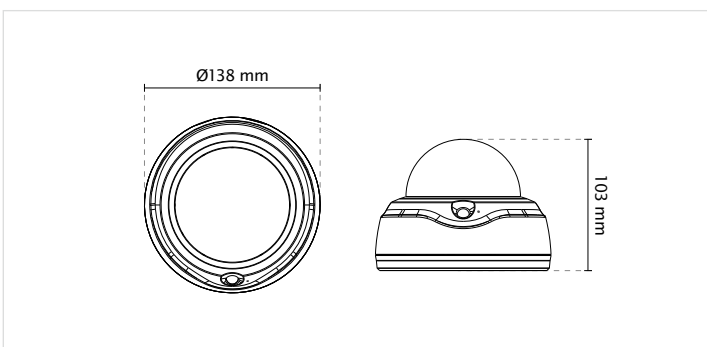
Store

Technical Specifications

| | |
|-------------------------------|---|
| Model | FD816B-HT: Vari-focal, P-iris, Remote Focus FD816B-HF2: Fixed-focal |
| System Information | |
| CPU | Multimedia SoC (System-on-Chip) |
| Flash | 1Gb |
| RAM | 2Gb |
| Camera Features | |
| Image Sensor | 1/2.8" Progressive CMOS |
| Maximum Resolution | 1920x1080 (2MP) |
| Lens Type | FD816B-HT: Vari-focal FD816B-HF2: Fixed-focal |
| Focal Length | FD816B-HT: f = 2.8 ~ 12 mm FD816B-HF2: f = 2.8 mm |
| Aperture | FD816B-HT: F1.8 ~ F2.85 FD816B-HF2: F1.8 |
| Auto-iris | P-iris (FD816B-HT) |
| Field of View | FD816B-HT: 42° ~ 105° (Horizontal) 24° ~ 57° (Vertical) 49° ~ 131° (Diagonal) FD816B-HF2: 110° (Horizontal) 64° (Vertical) 135° (Diagonal) |
| Shutter Time | 1/5 sec. to 1/32,000 sec. |
| WDR Technology | WDR |
| Day/Night | Removable IR-cut filter for day & night function |
| Minimum Illumination | FD816B-HT: 0.03 Lux @ F1.8 (Color) 0.001 Lux @ F1.8 (B/W) FD816B-HF2: 0.06 Lux @ F1.8 (Color) 0.001 Lux @ F1.8 (B/W) |
| Pan/tilt/zoom Functionalities | ePTZ: 48x digital zoom (4x on IE plug-in, 12x built in) |
| IR Illuminators | Built-in IR illuminators, effective up to 30 meters with Smart IR IR LED*8 |
| On-board Storage | Slot type: Micro SD/SDHC/SDXC card slot Seamless Recording |
| Video | |
| Compression | H.264 & MJPEG |
| Maximum Frame Rate | 30 fps @ 1920x1080 In both compression modes |
| Maximum Streams | 4 simultaneous streams |
| S/N Ratio | 58dB |
| Dynamic Range | 100dB |
| Video Streaming | Adjustable resolution, quality and bitrate; Smart Stream |
| Image Settings | Adjustable image size, quality and bit rate; Time stamp, text overlay, flip & mirror; Configurable brightness, contrast, saturation, sharpness, white balance, exposure control, gain, backlight compensation, privacy masks; Scheduled profile settings, 3D noise reduction, video rotation, defog |
| Audio | |
| Audio Capability | Two-way Audio (full duplex) |
| Compression | G.711, G.726 |
| Interface | Built-in microphone External line input External line output |
| Network | |
| Users | Live viewing for up to 10 clients |
| Protocols | IPv4, IPv6, TCP/IP, HTTP, HTTPS, UPnP, RTSP/RTP/RTCP, IGMP, SMTP, FTP, DHCP, NTP, DNS, DDNS, PPPoE, CoS, QoS, SNMP, 802.1X, UDP, ICMP, ARP, SSL, TLS |
| Interface | 10 Base-T/100 BaseTX Ethernet (RJ-45) *It is highly recommended to use standard CAT5e & CAT6 cables which are compliant with the 3P/ETL standard. |

| | |
|-----------------------------|---|
| ONVIF | Supported, specification available at www.onvif.org |
| Intelligent Video | |
| Video Motion Detection | Five-window video motion detection |
| VCA | Line crossing detection, field detection, loitering detection *Available per project request. |
| Alarm and Event | |
| Alarm Triggers | Motion detection, manual trigger, digital input, periodical trigger, system boot, recording notification, camera tampering detection, audio detection |
| Alarm Events | Event notification using digital output, HTTP, SMTP, FTP and NAS server, SD Card File upload via HTTP, SMTP, FTP, NAS server and SD card |
| General | |
| Smart Focus System | FD816B-HT: Remote Focus |
| Connectors | RJ-45 cable connector for Network/PoE connection Audio input Audio output DC 12V power input Digital input*1 Digital output*1 |
| LED Indicator | System power and status indicator |
| Power Input | DC 12V IEEE 802.3af/at PoE Class 0 |
| Power Consumption | FD816B-HT: Max. 13 W FD816B-HF2: Max. 9 W |
| Dimensions | Ø 138 x 103 mm |
| Weight | 541g |
| Safety Certifications | FD816B-HT: CE, LVD, FCC Class B, VCCI, C-Tick, UL FD816B-HF2: CE, LVD, FCC Class B, VCCI, C-Tick |
| Operating Temperature | Starting Temperature: 0°C ~ 50°C (32°F ~ 122°F) Working Temperature: -10°C ~ 50°C (14°F ~ 122°F) |
| Warranty | 36 months (FD816B-HT) 24 months (FD816B-HF2) |
| System Requirements | |
| Operating System | Microsoft Windows 7/8/Vista/XP/2000 |
| Web Browser | Mozilla Firefox 7~43 (streaming only) Internet Explorer 7/8/9/10/11 |
| Other Players | VLC: 1.1.11 or above Quicktime: 7 or above |
| Included Accessories | |
| CD | User's manual, quick installation guide, Installation Wizard 2 |
| Others | Quick installation guide, warranty card, alignment sticker/desiccant bag, screw pack |

Dimensions



Compatible Accessories

Mounting Kits



AM-215 (v02)
L Shape Bracket



AM-514 (v01)
Adapter Ring



AM-527 (v01)
Mounting Adapter



AM-712
Conduit Box



AP-FXC-0201
PoE Extender with
Conduit Box

PoE Kits