



# FD9171-HT

Fixed Dome Network Camera

3MP · H.265 Compression · Smart Stream II · Bandwidth Saving · WDR Pro · SNV · PIR · P-iris · 30M IR · DIS

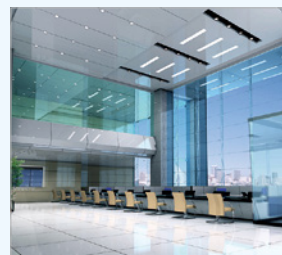
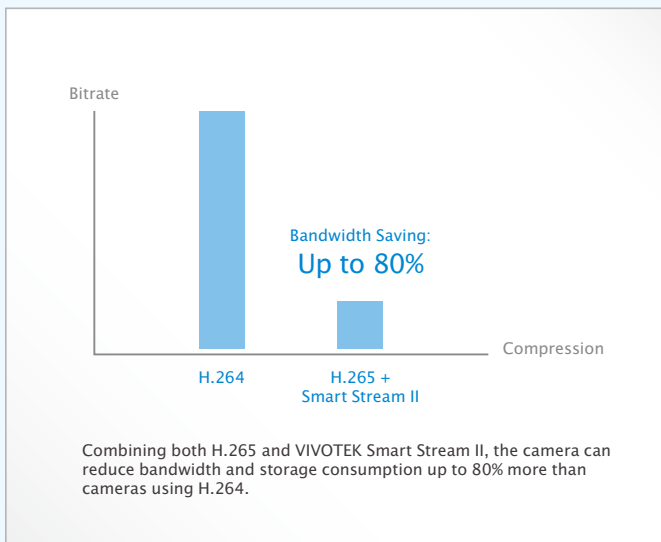
VIVOTEK's FD9171-HT is a brand-new professional H.265 high-efficiency indoor dome network camera, offering 30 fps @ 3-Megapixels with outstanding image quality. Employing H.265 technology enables the camera to provide higher and more efficient image compression rates than previous H.264 systems. In addition, VIVOTEK's sophisticated Smart Stream II enables the camera to optimize resolution for a desired object or area and therefore to maximize efficiency of bandwidth usage. Combining H.265 and Smart Stream II, the FD9171-HT can reduce both bandwidth and storage consumption up to 80%\* while producing image quality of the high standard.

To meet the demands of indoor applications, VIVOTEK's FD9171-HT features a built-in PIR sensor to help detect any unexpected events and to provide real-time responses .

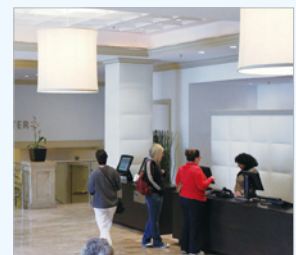
\* Depending on scenes

## Key Features

- H.265 Compression Technology
- 1/2.8" Progressive CMOS Sensor
- 30 fps @ 2048x1536
- Smart Stream II to Optimize Bandwidth Efficiency
- WDR Pro for Unparalleled Visibility in High Contrast Environments
- Built-in IR Illuminators, Effective up to 30 Meters
- Remote Focus for Easy Focus Adjustments
- SNV (Supreme Night Visibility) for Low Light Conditions
- PIR
- Video Rotation for Corridor View
- P-iris Lens
- DIS (Digital Image Stabilization)



Banking



Hotel



Restaurant



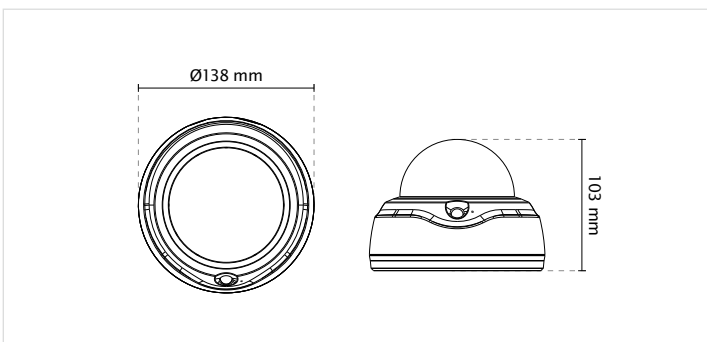
Stores

## Technical Specifications

Model	FD9171-HT
<b>System Information</b>	
CPU	Multimedia SoC (System-on-Chip)
Flash	128MB
RAM	512MB
<b>Camera Features</b>	
Image Sensor	1/2.8" Progressive CMOS
Maximum Resolution	2048x1536 (3MP)
Lens Type	Vari-Focal
Focal Length	f=3~9 mm
Aperture	F1.2~F2.3
Auto-iris	P-Iris
Field of View	41° ~ 86° (Horizontal) 31° ~ 64° (Vertical) 51° ~ 113° (Diagonal)
Shutter Time	1/5 sec. to 1/16000 sec.
WDR Technology	WDR Pro
Day/Night	Removable IR-cut filter for day & night function
Minimum Illumination	0.01 Lux @ F1.2 (Color) 0.001 Lux @ F1.2 (B/W)
Pan/Tilt/Zoom Functionalities	ePTZ: 48x digital zoom (4x on IE plug-in, 12x built in)
IR Illuminators	30 meters
On-board Storage	Slot type: MicroSD/SDHC/SDXC card slot Seamless Recording
<b>Video</b>	
Compression	H.265 & H.264 & MJPEG
Maximum Frame Rate	H.264 & H.265: 30fps@ 2048x1536 MJPEG: 15fps@ 2048x1536
Maximum Streams	3 simultaneous streams
S/N Ratio	60 dB
Dynamic Range	100 dB
Video Streaming	Adjustable resolution, quality and bitrate Smart Stream II
Image Settings	Time stamp, text overlay, flip & mirror; Configurable brightness, contrast, saturation, sharpness, white balance, exposure control, gain, backlight compensation, privacy masks; Scheduled profile settings, 3DNR, video rotation, defog, DIS
<b>Audio</b>	
Audio Capability	Two-Way Audio (full duplex)
Compression	G711, G726
Interface	Built-in microphone External line input External line output
Effective Range	5 meters
<b>Network</b>	
Users	Live viewing for up to 10 clients
Protocols	IPv4, IPv6, TCP/IP, HTTP, HTTPS, UPnP, RTSP/RTP/RTCP, IGMP, SMTP, FTP, DHCP, NTP, DNS, DDNS, PPPoE, CoS, QoS, SNMP, 802.1X, UDP, ICMP, ARP, SSL, TLS, CIFS/SMB
Interface	10 Base-T/100 BaseTX Ethernet (RJ-45) *It is highly recommended to use standard CAT5e & CAT6 cables which are compliant with the 3P/ETL standard

ONVIF	Supported, specifications available at <a href="http://www.onvif.org">www.onvif.org</a>
<b>Intelligent Video</b>	
Video Motion Detection	Five-window video motion detection
<b>Alarm and Event</b>	
Alarm Triggers	Video motion detection, manual trigger, digital input, periodical trigger, system boot, recording notification, camera tampering detection, audio detection
Alarm Events	Event notification using digital output, HTTP, SMTP, FTP, NAS server, and MicroSD Card File upload via HTTP, SMTP, FTP, NAS server and MicroSD card
<b>General</b>	
Smart Focus System	Remote Focus
Connectors	RJ-45 cable connector for Network/PoE connection Audio input Audio output DC 12V power in/out Digital input*1 Digital output*1
LED Indicator	System power and status indicator
Power Input	12V DC IEEE 802.3af/at PoE, Class 0
Power Consumption	Max. 12W
Dimensions	Ø 138 x 103 mm
Weight	530 g
Safety Certifications	CE, LVD, FCC Class B, VCCI, C-Tick, UL
Operating Temperature	Starting Temperature: 0°C ~ 50°C (32°F ~ 122°F) Working Temperature: -10°C ~ 50°C (14°F ~ 122°F)
Humidity	90%
Warranty	36 months
<b>System Requirements</b>	
Operating System	Microsoft Windows 8/7
Web Browser	Mozilla Firefox 7~43 (streaming only) Internet Explorer 10/11
Other Players	VLC: 1.1.11 or above Quicktime: 7 or above
<b>Included Accessories</b>	
CD	User's manual, quick installation guide, Shepherd, VAST
Others	Quick installation guide, screw pack, alignment sticker

## Dimensions



## Compatible Accessories

### Mounting Kits



**AM-215 (v02)**  
L Shape Bracket



**AM-514 (v01)**  
Adapter Ring



**AM-527 (v01)**  
Mounting Adapter



**AM-712**  
Conduit Box



**AP-FXC-0201**  
PoE Extender with  
Conduit Box

### PoE Kits