



Mini-Box Network Camera IP8152/52-F4



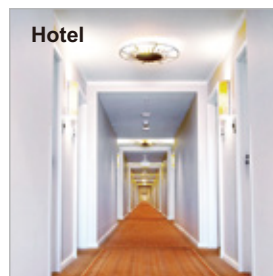
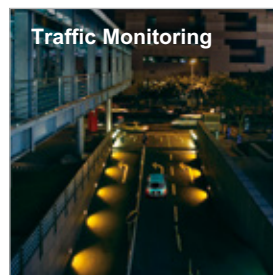
1.3MP • Compact Size • Supreme
Night Visibility

VIVOTEK IP8152/52-F4 features a brand new box camera design concept from VIVOTEK, with a compact size and a multitude of features. The small size makes it an easy to fit into different types of enclosures with different lens options, with the ability to fit a CS-mount lens making it a flexible solution for all types of surveillance. The Supreme Night Visibility features results in excellent video quality in low light environments; pairing with the built-in IR-cut filter further increase the range of visibility at night by allowing the use of IR illuminators. With all of these features and more, the camera is especially suitable for city surveillance, retail stores, government, industrial applications or hotel security.

The IP8152/52-F4 supports the industry-standard H.264 compression technology, drastically reducing file sizes and conserving valuable network bandwidth. Together with the ST7501 multi-lingual 32-channel recording software, users can set up an easy-to-use IP surveillance system with ease.

Features

- 1.3-Megapixel CMOS Sensor
- Compact Design
- Real-time H.264 and MJPEG Compression (Dual Codec)
- 30fps @ 1280x1024
- Supreme Night Visibility
- Two-way Audio
- Removable IR-cut Filter for Day and Night Function
- Built-in IEEE 802.3af Compliant PoE
- Built-in MicroSD/SDHC Card Slot for On-board Storage
- WDR Enhancement to Provide Extreme Visibility in High Light Contrast Scenes

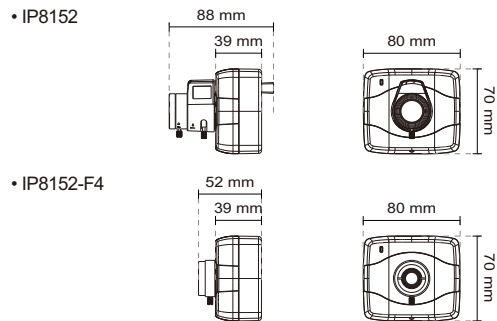


Technical Specifications

Models	IP8152 (Vari-focal) IP8152-F4 (Fixed-focal)
System Information	
CPU	Multimedia SoC (System-on-Chip)
Flash	16 MB
RAM	256 MB
Camera Features	
Image Sensor	1/3" Progressive CMOS
Maximum Resolution	1280x1024
Lens Type	Vari-focal (IP8152) Fixed-focal (IP8152-F4)
Focal Length	f = 3.3 ~ 12 mm (IP8152) f = 4 mm (IP8152-F4)
Aperture	F1.4 (wide), F2.4 (tele) (IP8152) F1.6 (IP8152-F4)
Auto-iris	DC-iris (IP8152) Fixed-iris (IP8152-F4)
Field of View	IP8152: 34° ~ 74° (horizontal) 25° ~ 60° (vertical) 40° ~ 95° (diagonal) IP8152-F4: 76° (horizontal) 60° (vertical) 99° (diagonal)
Shutter Time	1/5 sec. to 1/32,000 sec.
WDR Technology	WDR Enhanced
Day/Night	Removable IR-cut filter for day & night function
Minimum Illumination	IP8152: 0.11 Lux @ F1.4 (Color) 0.001 Lux @ F1.4 (B/W) IP8152-F4: 0.12 Lux @ F1.6 (Color) 0.001 Lux @ F1.6 (B/W)
Pan/tilt/zoom Functionalities	ePTZ:48x digital zoom (4x on IE plug-in, 12x built-in)
On-board Storage	Micro SD/SDHC/SDXC card slot
Video	
Compression	H.264 & MJPEG
Maximum Frame Rate	H.264: 30 fps at 1280x1024 MJPEG: 30 fps at 1280x1024
Maximum Streams	2 simultaneous streams
S/N Ratio	Above 58 dB
Dynamic Range	67 dB
Video Streaming	Adjustable resolution, quality and bitrate Configurable video cropping for bandwidth saving
Image Settings	Adjustable image size, quality and bit rate Time stamp, text overlay, flip & mirror Configurable brightness, contrast, saturation, sharpness, white balance, exposure control, gain, backlight compensation, privacy masks Scheduled profile settings
Audio	
Audio Capability	Audio input/output (full duplex)
Compression	G.711
Interface	External microphone input External line output
Network	
Users	Live viewing for up to 10 clients
Protocols	IPv4, IPv6, TCP/IP, HTTP, HTTPS, UPnP, RTSP/RTP/RTCP, IGMP, SMTP, FTP, DHCP, NTP, DNS, DDNS, PPPoE, CoS, QoS, SNMP, 802.1X
Interface	10Base-T/100 BaseTX Ethernet (RJ-45)
ONVIF	Supported, specification available at www.onvif.org

Intelligent Video	
Video Motion Detection	Triple-window video motion detection
Alarm and Event	
Alarm Triggers	Video motion detection, manual trigger, digital input, periodical trigger, system boot, recording notification, camera tampering detection
Alarm Events	Event notification using HTTP, SMTP, FTP and NAS server File upload via HTTP, SMTP, FTP and NAS server
General	
Connectors	RJ-45 for Network/PoE connection Audio input Audio output RS485*1 Digital input*1
LED Indicator	System power and status indicator
Power Input	IEEE 802.3af PoE Class 2
Power Consumption	Max. 3.4W
Dimensions	39mm (D) x 80mm (W) x 70mm (H) (Body only) 88mm (D) x 80mm (W) x 70mm (H) (IP8152) 52mm (D) x 80mm (W) x 70mm (H) (IP8152-F4)
Weight	176 g (Body only) 233 g (IP8152 with lens) 202 g (IP8152-F4 with lens)
Safety Certifications	CE, LVD, FCC Class B, VCCI, C-Tick
Operating Temperature	Starting Temperature: 0°C ~ 50°C (32°F ~ 122°F) Working Temperature: -10°C ~ 50°C (14°F ~ 122°F)
Warranty	24 months
System Requirements	
Operating System	Microsoft Windows 7/Vista/XP/2000
Web Browser	Mozilla Firefox 7~10 (streaming only) Internet Explorer 7.x or 8.x
Other Players	VLC: 1.1.11 or above QuickTime: 7 or above
Included Accessories	
CD	User's manual, quick installation guide, Installation Wizard 2, ST7501 32-channel recording software
Others	Quick installation guide, warranty card, lens, camera stand, screw pack

Dimensions



Compatible Accessories

Mounting Kits



AE-211
Camera enclosure with blower

AE-232
Camera enclosure with heater and blower

AE-233
Camera enclosure with heater and blower (input AC 24V)

AE2000
Infrared illuminator enclosure (With T bracket)



AE-201
Indoor camera enclosure with transparent cover

AE-202
Indoor camera enclosure with smoke cover



AE-251
Outdoor dome housing with transparent cover

AE-252
Outdoor dome housing with smoke cover

PoE Kits



POE-IJ-1748NDN
PoE injector, 802.3af compliant



AL-231
2.8 ~ 12mm, F1.2, DC-iris



AL-234
5mm~50mm, F1.6, DC-iris

All specifications are subject to change without notice. Copyright © VIVOTEK INC. All rights reserved.

Distributed by:



VIVOTEK INC.
6F, No.192, Lien-Cheng Rd., Chung-Ho,
New Taipei City, 235, Taiwan, R.O.C.
T: +886-2-82455282 F: +886-2-82455532
E: sales@vivotek.com

VIVOTEK USA
2050 Ringwood Avenue,
San Jose, CA 95131
T: 408-773-8686 F: 408-773-8298
E: salesusa@vivotek.com

VIVOTEK Europe
Randstad 22-133, 1316BW Almere,
The Netherlands
T: +31(0)36-5298-434
E: sales@vivotek.com

Ver 1.2