



Fixed Network Camera IP8172/72P



5MP • Full HD • Focus Assist

VIVOTEK IP8172/72P are professional box cameras offering 5-Megapixel or 1080p Full HD resolution with superb image quality up to 30 fps. Featuring 5-Megapixel resolution and high-performance H.264/MPEG-4/MJPEG compression technology, the IP8172/72P offer extra-smooth video and wide coverage.

The IP8172P comes with a P-iris lens, which controls the iris with extreme precision with its built-in stepper motor, it maintains the iris opening at an optimal level at all times, resulting in superior image clarity and depth of field.

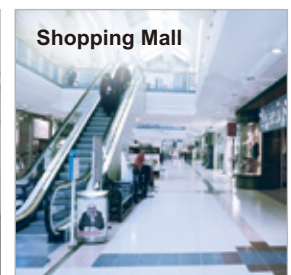
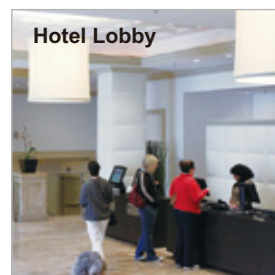
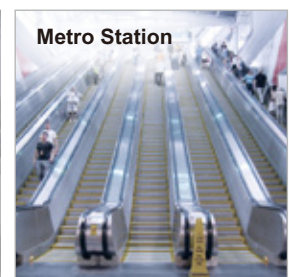
In addition, the IP8172/72P are equipped with a focus assist button to allow users to precisely adjust the camera focus. After pushing the focus assist button on the camera unit, an indicator will be displayed onscreen with detailed focus information, which will change in accordance with the manual adjustment. Moreover, continuing to push the button will zoom in on the target area for fine tuning, resulting in better usability and picture clarity.

The IP8172/72P can be also connected directly to an analog monitor with a BNC connector, providing integrators with more flexibility and hassle-free installation for a variety of applications.

Other high-end features such as WDR enhancement, multiple streams, video cropping, ePTZ, SD/SDHC/SDXC card slot, PoE, and the included 32-CH recording software make the IP8172/72P is indisputably the top choice for reliable and high performance megapixel surveillance.

Features

- 5-Megapixel CMOS Sensor
- 30 fps @ 1080p Full HD
- 2.8 ~ 12 mm Vari-focal, DC-iris Lens (IP8172)
- 3.5 ~ 10 mm Vari-focal, P-iris Lens (IP8172P)
- Removable IR-cut Filter for Day & Night Function
- Real-time H.264, MPEG-4, and MJPEG Compression (Triple Codec)
- WDR Enhancement for Improved Clarity in High Contrast Environments
- Built-in Focus Assist Button for Precise Focus Adjustment
- Built-in 802.3af Compliant PoE
- Built-in SD/SDHC/SDXC Card Slot for On-board Storage

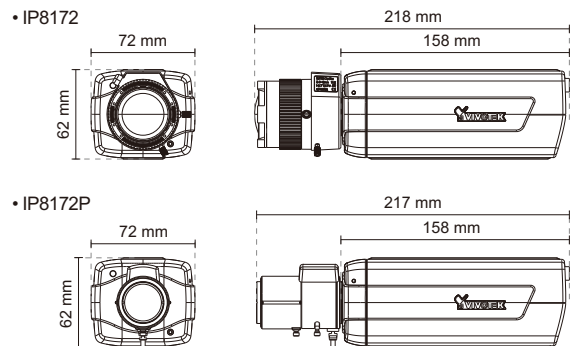


Technical Specifications

Models	IP8172 (DC-iris) IP8172P (P-iris)
System Information	
CPU	Multimedia SoC (System-on-Chip)
Flash	128 MB
RAM	256 MB
Camera Features	
Image Sensor	1/2.5" Progressive CMOS
Maximum Resolution	2560x1920
Lens Type	Vari-focal, CS Mount
Focal Length	f = 2.8 ~ 12 mm (IP8172) f = 3.5 ~ 10 mm (IP8172P)
Aperture	F1.2 (wide) ~ F2.5 (tele) (IP8172) F1.6 (wide) ~ F2.7 (tele) (IP8172P)
Auto-iris	DC-iris (IP8172) P-iris (IP8172P)
Field of View	IP8172: 28° ~ 115° (horizontal) 21° ~ 84° (vertical) 35° ~ 150° (diagonal) IP8172P: 33° ~ 93° (horizontal) 24° ~ 68° (vertical) 40° ~ 119° (diagonal)
Shutter Time	1/5 sec. to 1/32,000 sec.
WDR Technology	WDR Enhanced
Day/Night	Removable IR-cut filter for day & night function
Minimum Illumination	IP8172: 0.02 Lux @ F1.2 (Color) 0.001 Lux @ F1.2 (B/W) IP8172P: 0.05 Lux @ F1.6 (Color) 0.001 Lux @ F1.6 (B/W)
Pan/tilt/zoom Functionalities	ePTZ: 48x digital zoom (4x on IE plug-in, 12x built-in)
On-board Storage	SD/SDHC/SDXC card slot
Video	
Compression	H.264, MJPEG & MPEG-4
Maximum Frame Rate	H.264: 10 fps at 2560x1920 30 fps at 1920x1080 MPEG-4: 10 fps at 1920x1536 25 fps at 1920x1080 MJPEG: 13 fps at 2560x1920 30 fps at 1920x1080
Maximum Streams	3 simultaneous streams
S/N Ratio	Above 60 dB
Dynamic Range	57 dB
Video Streaming	Adjustable resolution, quality and bitrate Configurable video cropping for bandwidth saving Adjustable image size, quality and bit rate Time stamp, text overlay, flip & mirror Configurable brightness, contrast, saturation, sharpness, white balance, exposure control, gain, backlight compensation, privacy masks Scheduled profile settings
Image Settings	
Adjustable resolution, quality and bitrate Configurable video cropping for bandwidth saving Adjustable image size, quality and bit rate Time stamp, text overlay, flip & mirror Configurable brightness, contrast, saturation, sharpness, white balance, exposure control, gain, backlight compensation, privacy masks Scheduled profile settings	
Audio	
Audio Capability	Audio input/output (full duplex)
Compression	GSM-AMR, AAC, G.711
Interface	Built-in microphone External microphone input External line output
Effective Range	5 meters
Network	
Users	Live viewing for up to 10 clients
Protocols	IPv4, IPv6, TCP/IP, HTTP, HTTPS, UPnP, RTSP/RTP/RTCP, IGMP, SMTP, FTP, DHCP, NTP, DNS, DDNS, PPPoE, CoS, QoS, SNMP, 802.1X
Interface	10Base-T/100 Base-TX Ethernet (RJ-45)
ONVIF	Supported, specification available at www.onvif.org
Intelligent Video	
Video Motion Detection	Triple-window video motion detection

Alarm and Event	
Alarm Triggers	Video motion detection, manual trigger, digital input, periodical trigger, system boot, recording notification, camera tampering detection
Alarm Events	Event notification using digital output, HTTP, SMTP, FTP and NAS server File upload via HTTP, SMTP, FTP and NAS server
General	
Smart Focus System	Focus assist button and OSD
Connectors	RJ-45 cable connector for Network/PoE connection Audio input Audio output Video output AC 24V power input DC 12V power input Digital input*1 Digital output*1 RS-485
LED Indicator	System power and status indicator
Power Input	24V AC 12V DC IEEE 802.3af PoE Class 3
Power Consumption	IP8172: Max. 4.87 W (DC 12V) Max. 7 W (AC 24V) Max. 6.8 W (PoE) IP8172P: Max. 5.2 W (DC 12V) Max. 7 W (AC 24V) Max. 6.9 W (PoE)
Dimensions	218 mm (D) x 72 mm (W) x 62 mm (H) (IP8172) 217 mm (D) x 72 mm (W) x 62 mm (H) (IP8172P)
Weight	Net: 702 g (IP8172) (With Lens) Net: 711 g (IP8172P) (With Lens)
Safety Certifications	CE, LVD, FCC Class A, VCCI, C-Tick
Operating Temperature	Starting Temperature: 0°C ~ 50°C (32°F ~ 122°F) Working Temperature: -10°C ~ 50°C (14°F ~ 122°F)
Warranty	24 months
System Requirements	
Operating System	Microsoft Windows 7/Vista/XP/2000
Web Browser	Mozilla Firefox 7~10 (Streaming only) Internet Explorer 7.x or 8.x
Other Players	VLC: 1.1.11 or above Quicktime: 7 or above
Included Accessories	
CD	User's manual, quick installation guide, Installation Wizard 2, ST7501 32-channel recording software
Others	CS-mount lens, quick installation guide, warranty card, stand, L-type hex key wrench

Dimensions



Compatible Accessories

Enclosures



AE-211
Camera enclosure with blower



AE-232
Camera enclosure with heater and blower



AE-233
Camera enclosure with heater and blower (input AC 24V)

Power Adapter



AA-222
DC 12V Power Adapter

PoE Kits



MS-POE-IJAF
PoE injector, 802.3af compliant

All specifications are subject to change without notice. Copyright © 2013 VIVOTEK INC. All rights reserved.

Distributed by:



VIVOTEK INC.
6F, No.192, Lien-Cheng Rd., Chung-Ho, New Taipei City, 235, Taiwan, R.O.C.
|T: +886-2-82455282 | F: +886-2-82455332 | E: sales@vivotek.com

VIVOTEK USA, INC.
2050 Ringwood Avenue, San Jose, CA 95131
|T: 408-773-8886 | F: 408-773-8298 | E: salesusa@vivotek.com

Ver 1.0