



Bullet Network Camera IP8371/71E



3MP • 1080p 60 fps • 30M IR • Smart IR • Smart Focus •
IP67 • Smart Stream • Low Light • Corridor View

VIVOTEK IP8371/71E are professional outdoor bullet network cameras offering 30 fps @ 3-Megapixel or 60 fps @ 1080p resolution with superb image quality.

Featuring 3D Noise Reduction Technology, it enables the IP8371/71E to capture clear, polished video under low-light conditions, which also helps to reduce bandwidth from sensor noise.

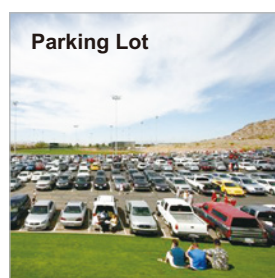
The IP8371/71E also feature Smart Stream Technology, which can be used to optimize resolution on a desired object or area to maximize bandwidth usage.

The IP8371/71E come with a P-iris lens, which controls the iris with extreme precision with its built-in stepper motor. By using software controls, the lens maintains the iris opening at an optimal level at all times, resulting in superior sharpness and depth of field as well as image quality. For installers, properly adjusting the focus of a megapixel network camera can be difficult due to the image detail. Thus, VIVOTEK has introduced the Smart Focus System to make installation and adjustment easier by allowing for remote focus and zoom adjustment.

The IP67-rated housing is designed to help the camera body withstand rain and dust and ensures operation under a multitude of harsh weather conditions. Additionally, the wide temperature range further enhances the IP8371E's performance and reliability in extremely cold and warm weather.

Features

- 3-Megapixel CMOS Sensor
- 30 fps @ 2048x1536; 60 fps @ 1920x1080
- Motorized, P-iris Lens
- Smart IR Technology to Avoid Overexposure
- Built-in IR Illuminators, Effective up to 30 Meters
- Supreme Night Visibility
- Smart Stream
- 3D Noise Reduction
- Real-time H.264 and MJPEG Compression (Dual Codec)
- -50°C ~ 50°C Wide Temperature Range for Extreme Weather Conditions (IP8371E)
- Smart Focus System for Remote and Precise Focus Adjustment
- Two-way Audio
- Weather-proof IP67-rated Housing
- Built-in 802.3af Compliant PoE
- Built-in SD/SDHC/SDXC Card Slot for On-board Storage
- Mounting Bracket with Cable Management for Protected Installation
- Video Rotation for Corridor View

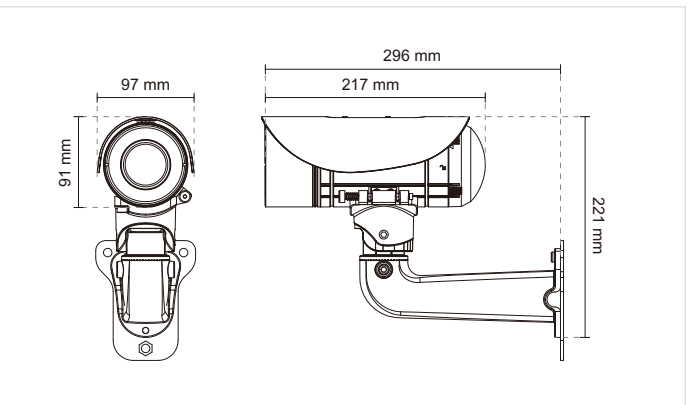


Technical Specifications

Model	IP8371/IP8371E
System Information	
CPU	Multimedia SoC (System-on-Chip)
Flash	256 MB
RAM	512 MB
Camera Features	
Image Sensor	1/2.8" Progressive CMOS
Maximum Resolution	2048x1536
Lens Type	Vari-focal, remote focus
Focal Length	f = 3 ~ 9 mm
Aperture	F1.2 (wide) ~ F2.3 (tele)
Auto-iris	P-iris
Field of View	36° ~ 82° (horizontal) 27° ~ 62° (vertical) 44° ~ 107° (diagonal)
Shutter Time	1/5 sec. to 1/8,000 sec.
WDR Technology	WDR Enhanced
Day/Night	Removable IR-cut filter for day & night function Smart IR Technology to avoid overexposure
Minimum Illumination	0.1 Lux @ F1.2 (Color) 0.001 Lux @ F1.2 (B/W)
Pan/tilt/zoom Functionalities	ePTZ: 48x digital zoom (4x on IE plug-in, 12x built-in)
IR Illuminators	Built-in IR illuminators, effective up to 30 meters IR LED*4, with Smart IR Technology
On-board Storage	SD/SDHC/SDXC card slot
Video	
Compression	H.264, MJPEG
Maximum Frame Rate	H.264: 30 fps at 2048x1536 60 fps at 1920x1080 MJPEG: 30 fps at 2048x1536 60 fps at 1920x1080
Maximum Streams	4 simultaneous streams
S/N Ratio	Above 62 dB
Dynamic Range	59 dB
Video Streaming	Adjustable resolution, quality and bitrate
Image Settings	Time stamp, text overlay, flip & mirror Configurable brightness, contrast, saturation, sharpness, white balance, exposure control, gain, backlight compensation, privacy masks, scheduled profile settings 3D noise reduction, smart stream, seamless recording, audio detection, video rotation
Audio	
Audio Capability	Audio input/output (full duplex)
Compression	AAC, G.711, G.726
Interface	External microphone input External line output
Network	
Users	Live viewing for up to 10 clients
Protocols	IPv4, IPv6, TCP/IP, HTTP, HTTPS, UPnP, RTSP/RTP/RTCP, IGMP, SMTP, FTP, DHCP, NTP, DNS, DDNS, PPPoE, CoS, QoS, SNMP, 802.1X
Interface	10Base-T/100BaseTX Ethernet (RJ-45) *It is highly recommended to use standard Cat. 5e & Cat. 6 cables which are compliant with the 3P/ETL standard.
ONVIF	Supported, specification available at www.onvif.org
Intelligent Video	
Video Motion Detection	Triple-window video motion detection

Alarm and Event	
Alarm Triggers	Video motion detection, manual trigger, digital input, periodical trigger, system boot, recording notification, camera tampering detection
Alarm Events	Event notification using HTTP, SMTP, FTP and NAS server File upload via HTTP, SMTP, FTP and NAS server
General	
Smart Focus System	Remote focus & easy focus
Connectors	RJ-45 cable connector for Network/PoE connection Audio input Audio output AC 24V power input DC 12V power input Digital input*1 Digital output*1 Analog video output
LED Indicator	System power and status indicator
Power Input	DC 12V AC 24V IEEE 802.3af PoE Class 3
Power Consumption	IP8371 DC: Max. 12 W AC: Max. 14.1 W PoE: Max. 11 W IP8371E DC: Max. 26 W (Heater on), 7.5 W (Heater off) AC: Max. 27 W (Heater on), 7.7 W (Heater off) PoE: Max. 11 W
Dimensions	Ø: 91 mm x 221 mm
Weight	Net: 1291.5 g (IP8371) Net: 1,335 g (IP8371E)
Casing	Weather-proof IP67-rated housing
Safety Certifications	CE, LVD, FCC Class A, VCCI, C-Tick, UL
Operating Temperature	IP8371: Starting Temperature: -10°C ~ 50°C (14°F ~ 122°F) Working Temperature: -20°C ~ 50°C (-4°F ~ 122°F) IP8371E: PoE Working Temperature: -10°C ~ 50°C (14°F ~ 122°F) Cold Startup Temperature: -10°C (14°F) DC12V/AC24V Working Temperature: -50°C ~ 50°C (-58°F ~ 122°F) Cold Startup Temperature: -40°C (-40°F)
Warranty	24 months
System Requirements	
Operating System	Microsoft Windows 7/Vista/XP/2000
Web Browser	Mozilla Firefox 7~10 (Streaming only) Internet Explorer 7.x or 8.x
Other Players	VLC: 1.1.11 or above QuickTime: 7 or above
Included Accessories	
CD	User's manual, quick installation guide, Installation Wizard 2, free ST7501 32-channel VMS
Others	Quick installation guide, warranty card, sun shield, wall mount bracket, waterproof RJ45 Ethernet enclosure, alignment sticker, desiccant bag, waterproof connector

Dimensions



Compatible Accessories

Mounting Kits



AM-311
Pole Mount Adaptor



AM-411
Corner Mount Adaptor



AM-711
Junction Box

All specifications are subject to change without notice. Copyright © VIVOTEK INC. All rights reserved.

Distributed by:



VIVOTEK INC.
6F, No.192, Lien-Cheng Rd., Chung-Ho,
New Taipei City, 235, Taiwan, R.O.C.
T: +886-2-82455282 F: +886-2-82455532
E: sales@vivotek.com

VIVOTEK USA
2050 Ringwood Avenue,
San Jose, CA 95131
T: 408-773-8686 F: 408-773-8298
E: salesusa@vivotek.com

VIVOTEK Europe
Randstad 22-133, 1316BW Almere,
The Netherlands
T: +31(0)36-5298-434
E: saleseurope@vivotek.com

Ver 2.0