



## Technical Specifications

<b>System</b> <ul style="list-style-type: none"> <li>CPU: VVTK-1000 SoC</li> <li>Flash: 8MB</li> <li>RAM: 64MB</li> <li>Embedded OS: Linux 2.4</li> </ul>	<b>Networking</b> <ul style="list-style-type: none"> <li>10/100 Mbps Ethernet, RJ-45</li> <li>Protocols: IPv4, IPv6, TCP/IP, HTTP, HTTPS, UPnP, RTSP/RTP/RTCP, IGMP, SMTP, FTP, DHCP, NTP, DNS, DDNS, PPPoE, CoS, QoS and 802.1X</li> </ul>
<b>Pan/Tilt/Zoom</b> <ul style="list-style-type: none"> <li>Pan range: 360° continuous rotation</li> <li>Tilt range: 0° ~ 90° flip</li> <li>18x optical zoom</li> <li>Pan speed: 0.1° ~ 300°/sec</li> <li>Tilt speed: 0.1° ~ 120°/sec</li> <li>Auto pan mode</li> <li>Auto patrol mode</li> </ul>	<b>Alarm and Event Management</b> <ul style="list-style-type: none"> <li>Triple-window video for motion detection</li> <li>Four D/I and one D/O for external sensor and alarm</li> <li>Event notification using HTTP, SMTP or FTP</li> <li>Local recording of MP4 file</li> </ul>
<b>Lens</b> <ul style="list-style-type: none"> <li>18x optical zoom lens, f = 4.1 ~ 73.8 mm, F1.4 (wide), F3.0 (tele), auto-iris, focus range: 290 mm (wide), 800 mm (tele) to infinity</li> <li>Removable IR-cut filter for day &amp; night function</li> </ul>	<b>Security</b> <ul style="list-style-type: none"> <li>Multi-level user access with password protection</li> <li>IP address filtering</li> <li>HTTPS encrypted data transmission</li> </ul>
<b>Angle of View</b> <ul style="list-style-type: none"> <li>2.8° ~ 48° (horizontal)</li> </ul>	<b>Users</b> <ul style="list-style-type: none"> <li>Live viewing for up to 10 clients</li> </ul>
<b>Shutter Time</b> <ul style="list-style-type: none"> <li>1/2 sec. to 1/10,000 sec.</li> </ul>	<b>Dimension</b> <ul style="list-style-type: none"> <li>Ø 200 mm x 270 mm</li> </ul>
<b>Image Sensor</b> <ul style="list-style-type: none"> <li>SONY 1/4" progressive scan CCD sensor in VGA resolution</li> </ul>	<b>Weight</b> <ul style="list-style-type: none"> <li>Net: 3,740 g</li> </ul>
<b>Minimum Illumination</b> <ul style="list-style-type: none"> <li>1.61 Lux (F1.4, 1/30s)</li> <li>0.38 Lux (F1.4, 1/30s, without IR-cut filter)</li> </ul>	<b>LED Indicator</b> <ul style="list-style-type: none"> <li>System power and status indicator</li> <li>System activity and network link indicator</li> </ul>
<b>Video</b> <ul style="list-style-type: none"> <li>Compression: MJPEG &amp; MPEG-4</li> <li>Streaming: <ul style="list-style-type: none"> <li>Simultaneous dual streams</li> <li>MPEG-4 streaming over UDP, TCP, HTTP or HTTPS</li> <li>MPEG-4 multicast streaming</li> <li>MJPEG streaming over HTTP or HTTPS</li> </ul> </li> <li>Supports 3GPP mobile surveillance</li> <li>Frame rates: <ul style="list-style-type: none"> <li>MPEG-4: Up to 30/25 fps at 640x480</li> <li>MJPEG: Up to 30/25 fps at 640x480</li> </ul> </li> </ul>	<b>Power</b> <ul style="list-style-type: none"> <li>24V AC 2A 60Hz/50Hz</li> <li>Power consumption: Max. 42 W</li> </ul>
<b>Image Settings</b> <ul style="list-style-type: none"> <li>Adjustable image size, quality and bit rate</li> <li>Time stamp and text caption overlay</li> <li>Flip &amp; mirror</li> <li>Configurable brightness, sharpness, white balance and exposure</li> <li>AGC, AWB, AES</li> <li>Automatic, manual or scheduled day/night mode</li> <li>BLC (Backlight Compensation)</li> </ul>	<b>Housing</b> <ul style="list-style-type: none"> <li>Weather-proof IP66-rated housing</li> </ul>
<b>Audio</b> <ul style="list-style-type: none"> <li>Compression: <ul style="list-style-type: none"> <li>GSM-AMR speech encoding, bit rate: 4.75 kbps to 12.2 kbps</li> <li>MPEG-4 AAC audio encoding, bit rate: 16 kbps to 128 kbps</li> <li>G.711 audio encoding, bit rate: 64 kbps, µ-Law or A-Law mode selectable</li> </ul> </li> <li>Interface: <ul style="list-style-type: none"> <li>External microphone input</li> <li>Audio output</li> </ul> </li> <li>Supports two-way audio via SIP protocol</li> <li>Supports audio mute</li> </ul>	<b>Approvals</b> <ul style="list-style-type: none"> <li>CE, LVD, FCC, VCCI, C-Tick</li> </ul>
	<b>Operating Environments</b> <ul style="list-style-type: none"> <li>Temperature: -20 ~ 60 °C (-4 ~ 140 °F)</li> <li>Humidity: 20% ~ 80% RH</li> </ul>
	<b>Viewing System Requirements</b> <ul style="list-style-type: none"> <li>OS: Microsoft Windows 7/Vista/XP/2000</li> <li>Browser: Mozilla Firefox, Internet Explorer 6.x or above</li> <li>Cell phone: 3GPP player</li> <li>Real Player: 10.5 or above</li> <li>Quick Time: 6.5 or above</li> </ul>
	<b>Installation, Management, and Maintenance</b> <ul style="list-style-type: none"> <li>Installation Wizard 2</li> <li>32-CH ST7501 recording software</li> <li>Supports firmware upgrade</li> </ul>
	<b>Applications</b> <ul style="list-style-type: none"> <li>SDK available for application development and system integration</li> </ul>
	<b>Warranty</b> <ul style="list-style-type: none"> <li>24 months</li> </ul>

All specifications are subject to change without notice. Copyright ©2010 VIVOTEK INC. All rights reserved.

# Speed Dome Network Camera SD7151

Progressive Scan CCD • 18x Zoom  
Dual Streams • Day & Night



VIVOTEK's SD7151, equipped with an 18x optical zoom lens, is a high performance day/night speed dome network camera suitable for professional surveillance applications. It represents another significant addition to VIVOTEK's high-end, progressive-scan network camera portfolio.

Complementing the Sony 18x optical zoom lens is the progressive CCD sensor, allowing for not only for exceptional detail on enlarged images taken from faraway distances, but also crystal-clear, razor-sharp images of fast-moving objects without jagged edges. With its sophisticated pan/tilt mechanism, this camera provides fast, precise movement with continuous 360-degree pan and 90-degree tilt. You can easily control the lens position via mouse or joystick to track the object you are interested in and define up to 128 presets for patrolling.

The day and night functionality makes this camera ideal for operating under diverse lighting conditions. When light conditions turn poor, the IR-cut filter will be automatically removed to accept IR illumination. At the same time, the camera switches itself automatically from color to black and white, ensuring optimal image quality at all times.

Additional advanced features including 3GPP mobile surveillance, two-way audio via SIP protocol, and digital I/O for external sensors and alarms make the VIVOTEK SD7151 a truly full-featured speed dome. It is the best solution for various enterprise projects such as airports, highways, parking lots, and shopping malls, where high-level reliability and precision is an absolute requirement.



VIVOTEK INC.  
6F, No.192, Lien-Cheng Rd., Chung-Ho, Taipei County, Taiwan  
T: +886 2 82455282 | F: +886 2 82455532 | E: sales@vivotek.com

VIVOTEK USA, INC.  
470 Lakeside Drive Suite C, Sunnyvale, CA 94085 USA  
T: 408-773-8686 | F: 408-773-8298 | E: salesusa@vivotek.com

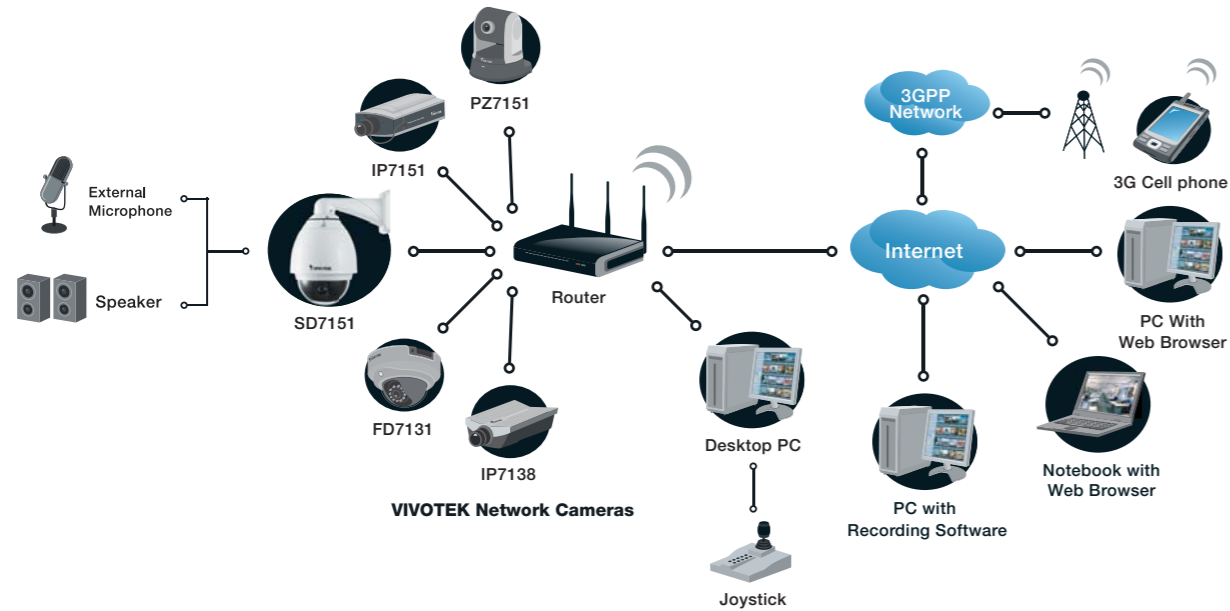
Ver 5.5



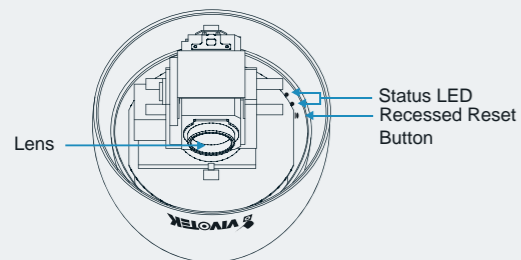
## Product Features

- SONY Progressive Scan CCD Sensor in VGA Resolution
- 18x Zoom Lens
- 360° Continuous Pan and 0° ~ 90° Flip Tilt
- Removeable IR-cut Filter for Day & Night Function
- Real-time MPEG-4 and MJPEG Compression (Dual Codec)
- Simultaneous Dual Streams
- Weather-proof IP66-rated Housing
- 3GPP Mobile Surveillance
- Easy, Fast, Accurate PTZ Control by Joystick
- Two-way Audio via SIP Protocol
- Digital I/O for External Sensor and Alarm

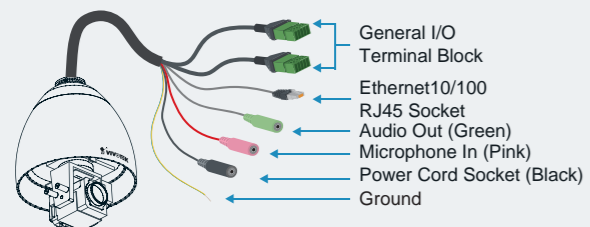
## System Overview



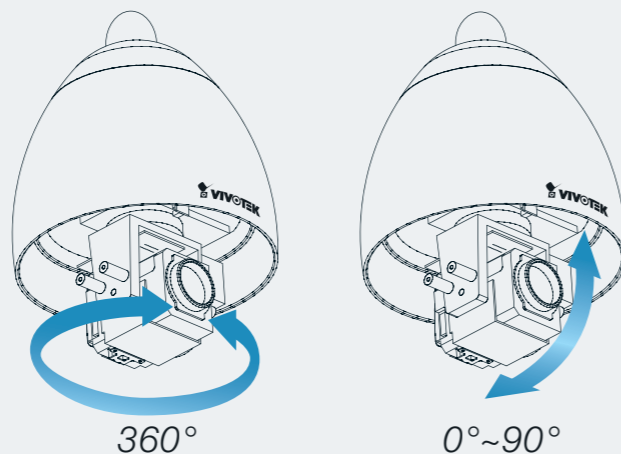
### Internal View



### Connectors



*Pan range: 360° Continuous Rotation*  
*Tilt range: 0°~90° Flip*



## Versatile Applications



Airports



Stations



Freeways

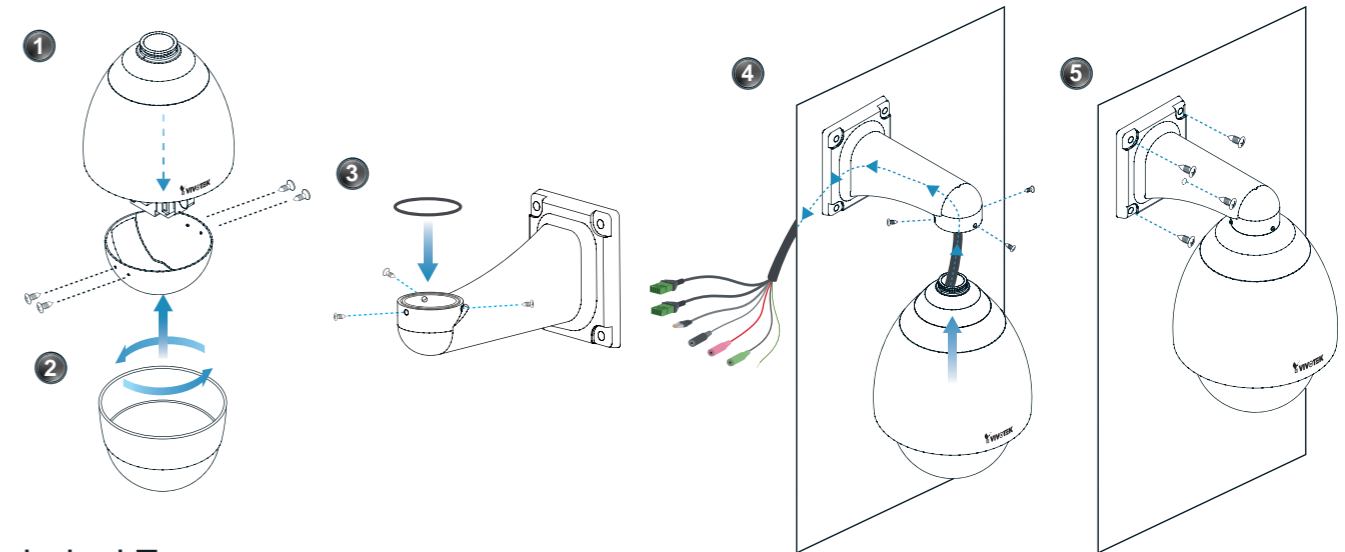


Parking lots



Shopping malls

## Easy Installation



## Technical Zone



### Progressive Scan CCD Sensor

*Optimum solution for shooting high-speed moving objects*

The progressive scan CCD sensor offers an excellent solution for shooting high-speed moving objects. It can clearly capture images of objects in motion that traditional interlaced-scan techniques cannot achieve. Unlike traditional interlaced-scan techniques, progressive scanning scans all lines of an image simultaneously so as to present razor-sharp, clear, and high-resolution snapshots.



### 18x Optical Zoom Lens

*Providing unprecedented image quality*

Utilizing a Sony 18x optical zoom lens, the VIVOTEK SD7151 allows for close-up images with exceptional detail and effectively extends the viewable distance. You can quickly and easily zoom in on distant objects or a small target with unprecedented image quality, even when enlarged.



### Day & Night Function

*The best solution for 24-hour surveillance*

The VIVOTEK SD7151 is equipped with a removable IR-cut filter, which is automatically removed at night time to allow IR light into the sensor to maximize sensitivity in low light conditions and to improve image clarity. The camera will automatically switch from color to black and white, assuring optimal image quality at all times.