

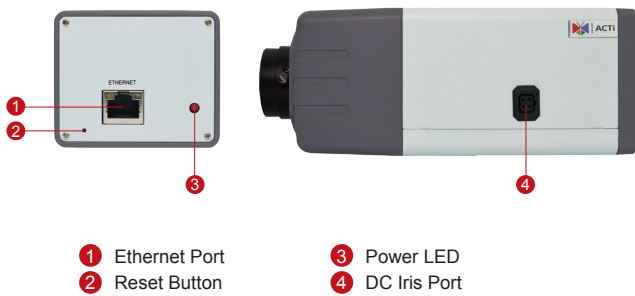
# E21

## 1MP Box with D/N, Basic WDR, Fixed lens 1MP Box with D/N, Basic WDR, Vari-focal lens



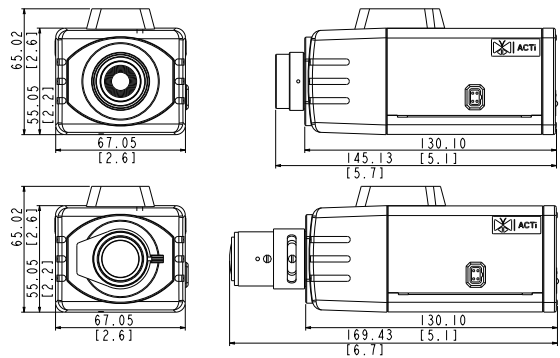
- Progressive Scan CMOS
- Day and night function with mechanical IR cut filter
- Minimum illumination 0.05 lux at F1.8 or  
Minimum illumination 0.05 lux at F1.4
- Bundled f4.2mm, F1.8 Megapixel fixed lens or  
Bundled f2.8-12mm, F1.4 Megapixel vari-focal lens
- 30 fps at 1280 x 720 resolution
- Selectable H.264 HP, MJPEG compressions with dual streaming
- Video motion detection
- Basic WDR
- Powered by PoE Class 2

### PHOTO INDICATION



- 1 Ethernet Port
- 2 Reset Button
- 3 Power LED
- 4 DC Iris Port

### DIMENSION DIAGRAM



Unit: mm [inch]

### ACCESSORY OPTIONS

Lens		
PLEN-0119		IR Compatible, Fixed Iris, F2.0, 2.8mm, 79.5°
PLEN-0130		IR Compatible, Fixed Iris, F2.0, 2.93mm, 70.3°
PLEN-0127		IR Compatible, DC Iris, F1.4, 2.8-12mm, 64.2° - 24.7°
PLEN-0205		IR Compatible, DC Iris, F1.6, 8-80mm, 28.9° - 3.3°

Popular Mounting Solutions		
Corner	PMAX-0202 PMAX-1101 PMAX-0402	
Pole	PMAX-0202 PMAX-1101 PMAX-0503	

Outdoor Housing & Bracket		
PMAX-0200		IP66, with heater and fan powered by 110V AC, -30 °C ~ 50 °C (-22 °F ~ 122 °F), requires housing bracket
PMAX-0201		IP66, with heater and fan powered by 220V AC, -30 °C ~ 50 °C (-22 °F ~ 122 °F), requires housing bracket
PMAX-0202		IP66, -10°C ~ 50°C (14 °F ~ 122 °F), requires housing bracket
PMAX-1101		Aluminum, max. load 10 kg (22.05 lb), tilt angle 90° (For PMAX-0200, PMAX-0201, PMAX-0202)

Camera Bracket		
PMAX-1100		Plastic, max. load 3.5 kg (7.72 lb), tilt angle 90°

\* For more mounting solutions, please refer to Mounting Accessory section of Buyer's Guide or Project Planner on [www.acti.com](http://www.acti.com)

## PRODUCT SPECIFICATION

	E21 with Fixed lens	E21 with Vari-focal lens
<b>• Device</b>		
Device Type	Box Camera	
Image Sensor	Progressive Scan CMOS	
Sensor Size	1/4" (3.84 x 2.4 mm)	
Day / Night	Yes	
Minimum Illumination	Color: 0.1 lux at F1.8 (30 IRE, 2400°K); B/W: 0.05 lux at F1.8 (30 IRE, 2400°K)	Color: 0.1 lux at F1.4 (30 IRE, 2400°K); B/W: 0.05 lux at F1.4 (30 IRE, 2400°K)
Color to B/W switch	ISP based switch; Configurable	
Mechanical IR Cut Filter	Yes	
IR Sensitivity Range	700 - 1100 nm	
IR LED	No	
Electronic Shutter	1/5 ~ 1/2,000 sec (manual mode); 1/5 ~ 1/10,000 sec (auto mode)	
<b>• Lens</b>		
Focal Length / Aperture	Fixed focal, f4.2 mm/F1.8	Vari-focal, f2.8-12 mm/F1.4
Iris	Fixed iris	DC iris
Focus	Manual focus	Manual focus
Lens Mount	CS Mount (interchangeable lens)	
Horizontal Viewing Angle	53.8°	64.2° - 24.7°
<b>• Video</b>		
Compression	H.264 HP, MJPEG	
Maximum Frame Rate vs. Resolution	30 fps at 1280 x 720; 30 fps at 640 x 480	
Multi-Streaming	Simultaneous dual streams based on two configurations	
Bit Rate	28 Kbps - 6 Mbps (per stream)	
Bit Rate Mode	Constant, Variable	
Image Enhancement	Basic WDR; White balance: automatic, hold, and manual; Brightness; Contrast; Sharpness(auto); Auto gain control; Digital noise reduction; Flickerless	
Privacy Mask	4 configurable regions	
Text Overlay	User defined text on video	
Image Orientation	Image flip and mirror	
<b>• Network</b>		
Protocol & Service	TCP, UDP, HTTP, HTTPS, DHCP, PPPoE, RTP, RTSP, IPv6, DNS, DDNS, NTP, ICMP, ARP, IGMP, SMTP, FTP, UPnP, SNMP, Bonjour	
Ethernet Port	1, Ethernet (10/100 Base-T), RJ-45 connector	
Security	IP address filtering; HTTPS encryption; Password protected user levels; Anonymous login; IEEE 802.1X network access control*	
<b>• Alarm</b>		
Alarm Trigger	Video motion detection (3 regions)	
Alarm Response	Notify control center; Change camera settings; Command other devices; E-mail notification with snapshots; Upload video, snapshot to FTP server	
<b>• Interface</b>		
DC Iris Connector	External connector for DC Iris lens	
<b>• General</b>		
Power Source / Consumption	PoE Class 2 (IEEE802.3af) / 2.436W	
Weight	418.5 g (0.92lb)	438 g (0.965lb)
Dimensions (W x H x D)	67.05 mm x 65.02 mm x 145.13mm (2.6" x 2.6" x 5.7")	67.05 mm x 65.02 mm x 169.43mm (2.6" x 2.6" x 6.7")
Environmental Casing	Optional housing (IP66 rated)	
Operating Temperature	-10°C ~ 50°C (14°F ~ 122°F)	
Operating Humidity	10% ~ 85% RH	
Approvals	CE (EN 55022 Class B, EN 55024), FCC (Part15 Subpart B Class B)	
<b>• Integration</b>		
Unified Solution	Fully compatible with ACTi software	
ISV Integration	Software Development Kit (SDK) available, ONVIF compliant	
Firmware Access Browser	Microsoft Internet Explorer 8.0 or newer (full functionality); Other browsers with VLC installed (partial functionality)	