

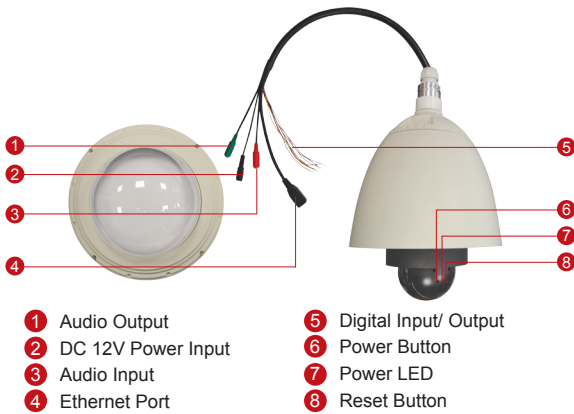
KCM-8211

2MP Outdoor PTZ with D/N,
Advanced WDR, SLLS, 18x Zoom Lens

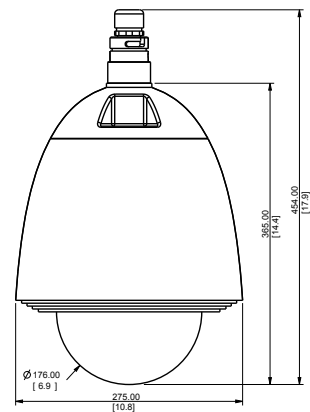


- 2 Megapixel with 1080p
- Day & Night with Superior Low Light Sensitivity
- 18x Zoom Lens with f4.7-84.6mm/F1.6-2.8, DC Iris, Auto Focus
- Advanced WDR (80 dB)
- 15 fps at 1920 x 1080
- Pan & Tilt
- Weatherproof (IP66) and Vandal Proof (IK10)

PHOTO INDICATION



DIMENSION DIAGRAM



Unit: mm [inch]

ACCESSORY OPTIONS

Dome Cover

PDCX-1107



7-inch, smoke, Vandal proof (IK10)

High PoE Injector

PPOE-0110



High PoE Injector, IEEE 802.3at
Power over Ethernet
3 different connectors included

Popular Mounting Solutions

Wall

PMAX-0305



Pendant

PMAX-0103



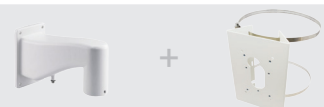
Corner

PMAX-0305
PMAX-0402



Pole

PMAX-0305
PMAX-0503



Parapet

PMAX-0808



* For more mounting solutions, please refer to Project Planner on www.acti.com

PRODUCT SPECIFICATION**KCM-8211****• Device**

| | |
|--------------------------------|--|
| Device Type | Outdoor PTZ Camera |
| Image Sensor | Progressive Scan CMOS |
| Sensor Size | 1/2.8" (5.42 x 3.41 mm) |
| Day / Night | Yes |
| Superior Low Light Sensitivity | Yes |
| Minimum Illumination | Color: 0.1 lux at F1.6 (30 IRE, 2400°K); B/W: 0.05 lux at F1.6 (30 IRE, 2400°K) |
| Color to B/W switch | ISP based switch, configurable |
| Mechanical IR Cut Filter | Yes |
| IR Sensitivity Range | 700 - 1100 nm |
| IR LED | No |
| Electronic Shutter | 1/13 ~ 1/2,000 sec (50Hz); 1/15 ~ 1/2,000 sec (60Hz) (manual mode); 1/13 ~ 1/10,000 sec (50Hz); 1/15 ~ 1/10,000 sec (60Hz) (auto model) |

• Lens

| | |
|--------------------------|-----------------------------------|
| Focal Length | Zoom, f4.7 - 84.6 mm / F1.6 - 2.8 |
| Zoom Ratio | 18x optical; 16x digital |
| Zoom Speed | 2 sec (1x ~ 18x) |
| Iris | DC iris |
| Focus | Auto focus |
| Horizontal Viewing Angle | 48.9° ~ 3.6° |

• PTZ

| | |
|-------------------------|--|
| Manual Panning Speed | 0.5° ~ 90°/s |
| Manual Tilting Speed | 0.5° ~ 90°/s |
| Preset Panning Speed | 0.5° ~ 450°/s |
| Preset Tilting Speed | 0.5° ~ 450°/s |
| Panning Range | 350° (360° pan via Auto-flip) |
| Tilting Range | 0° ~ 180° |
| Control | Remote manual control; 64 preset points; 10 preset tours |
| Preset Panning Accuracy | 0.265° |
| Preset Tilting Accuracy | 0.265° |
| Absolute Position | Yes |
| Protocol | ACTi URL command, Sony Visca, Pelco D, Pelco P |

• Video

| | |
|--|---|
| Compression | H.264, MPEG-4 SP, MJPEG |
| Maximum Frame Rate vs. Resolution (H.264, MJPEG) | 15 fps at 1920 x 1080; 30 fps at 1280 x 720; 30 fps at 640 x 480 |
| Maximum Frame Rate vs. Resolution (MPEG-4 SP) | 11 fps at 1920 x 1080; 25 fps at 1280 x 720; 30 fps at 640 x 480 |
| Multi-Streaming | Simultaneous dual streams based on two configurations |
| Bit Rate | 28 Kbps - 6 Mbps (per stream) |
| Bit Rate Mode | Constant, Variable |
| Image Enhancement | Advanced WDR (80 dB); White balance: automatic, hold and manual; Brightness; Contrast; Sharpness; Automatic gain control; 2D+3D Digital Noise Reduction; Flickerless; Defogging |
| Text Overlay | User defined text on video |
| Image Orientation | Image flip and mirror |

• Audio

| | |
|-------------|--|
| Audio | 2-way |
| Compression | 8 kHz, Mono, PCM, 16 bit encoding; G.711 |
| Audio-In | 3.5mm phone jack |
| Audio-Out | 3.5mm phone jack |

• Network

| | |
|--------------------|--|
| Protocol & Service | TCP, UDP, HTTP, HTTPS, DHCP, PPPoE, RTP, RTSP, IPv6, DNS, DDNS, NTP, ICMP, ARP, IGMP, SMTP, FTP, UPnP, SNMP, Bonjour |
| Ethernet Port | 1, Ethernet (10/100Base-T), RJ-45 connector |
| Security | IP address filtering; HTTPS encryption; Password protected user levels; IEEE 802.1X network access control |

• Alarm

| | |
|----------------|---|
| Alarm Trigger | Video motion detection (3 regions); External device through digital input |
| Alarm Response | Notify control center; Go to PTZ preset point or preset tour; Change camera settings; Command other devices; E-mail notification with snapshots; Upload video, Snapshot to FTP server; Activate external device through digital output |

• Interface

| | |
|----------------|----------------------------|
| Digital Input | 2, cable without connector |
| Digital Output | 2, cable without connector |

• General

| | |
|----------------------------|--|
| Power Source / Consumption | High PoE (IEEE802.3at) / 33.6W (with heater and fan on) DC 12V / 30W (with heater and fan on) |
| Weight | 6700g (14.8 lb) |
| Dimensions (Φ x H) | 275 mm x 454 mm (10.8" x 17.9") |
| Bundled Accessories | Power adapter |
| Environmental Casing | Weatherproof (IP66 rated); Vandal proof (IK10 rated) |
| Mount Type | Pendant, Wall, Corner, Pole |
| Starting Temperature | -30°C ~ 45°C (-22°F ~ 113°F) |
| Operating Temperature | -40°C ~ 45°C (-40°F ~ 113°F) |
| Operating Humidity | 10% ~ 85% RH |
| Approvals | CE (EN 55022 Class B, EN 55024), FCC (Part15 Subpart B Class B) Adapter: CE, FCC, UL, PSE, Efficiency level V |

• Integration

| | |
|-------------------------|---|
| Unified Solution | Fully compatible with ACTi software |
| ISV Integration | Software Development Kit (SDK) available; ONVIF Compliant |
| Firmware Access Browser | Microsoft Internet Explorer 8.0 or newer |

* All specifications are subject to change without notice.

* All brand names and registered trademarks are the property of their respective owners.

www.acti.com

