

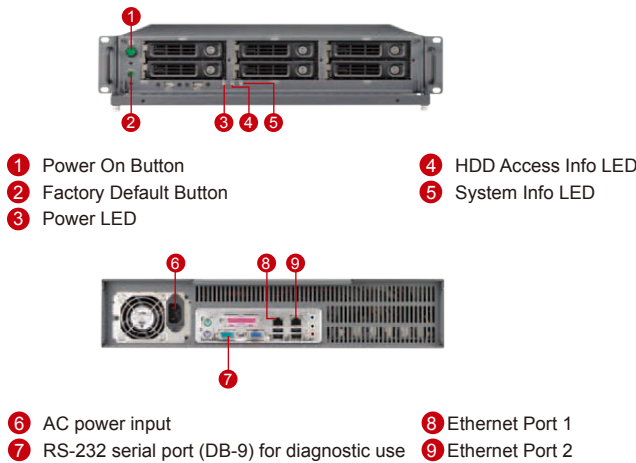
XNR-4200

Rackmount Standalone NVR

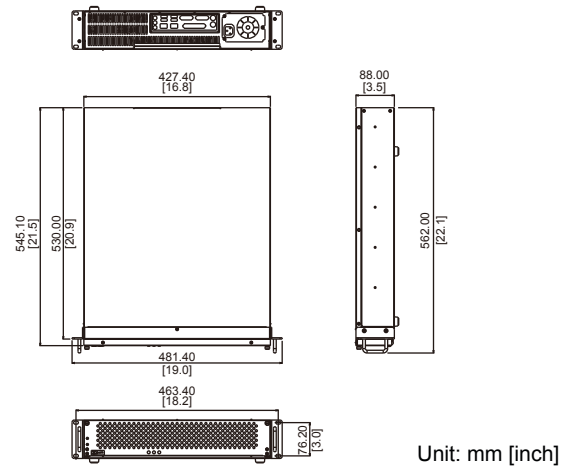


- Manage up to 64 IP cameras or video encoders
- Support H.264/MPEG-4/MJPEG formats up to 4-Megapixel resolution
- Live view with 1, 2, 4, 5, 6, 8, 9, 10, 16, 25, 32, 36, 49, 64 window layouts
- PTZ and speed control, preset points and tours, mouse PTZ
- HDD Bay for 6 SATA disks (total up to 12 TB)
- RAID levels 0, 1, 5, 10 supported
- Maximum total recording frame rate 1920 fps
- KCM/TCM/TCD device dual stream management
- Scheduled, event triggered and manual recording
- Time and event based search
- Playback with 1x-500x speeds with AVI video export function
- 4-channel synchronized playback
- Event management with motion detection and DI/DO
- Two-way audio
- Unlimited number of remote clients using web browser
- Rack-mountable (2U)

PHOTO INDICATION

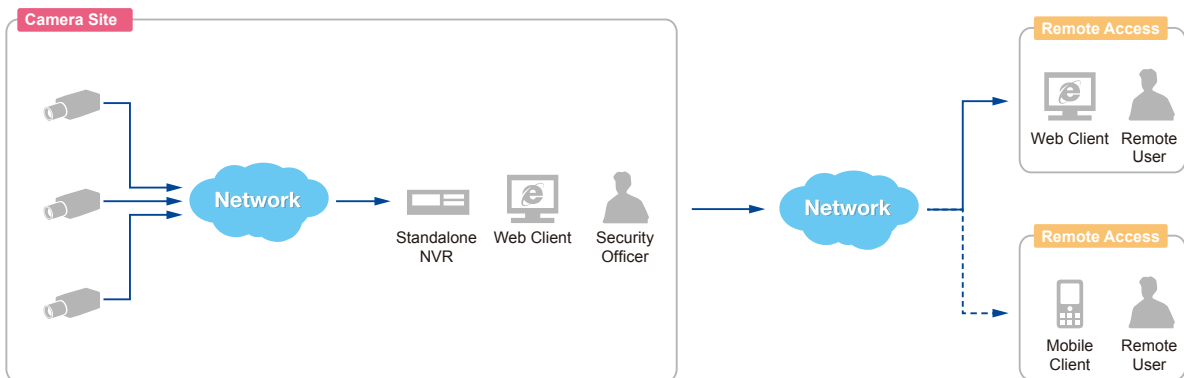


DIMENSION DIAGRAM



SOLUTION ARCHITECTURE

Standalone NVR



Remote User: Administrator / Supervisor / Manager / Security Officer

XNR-4200

PRODUCT SPECIFICATION

XNR-4200

• General

Full Name	ACTi Standalone Network Video Recorder XNR-4200
Maximum Number of Clients	Unlimited
Maximum Number of Cameras	64
Free Licence	16
Compression	H.264, MPEG-4, MJPEG

• Live View

Display Layout Mode	1, 2, 4, 5, 6, 8, 9, 10, 16, 25, 32, 36, 49, 64
Layout Manager	An interface to define display layouts and the pre-set cameras within layouts; full-screen mode available
Layout Tour	Automatic switch between different display layouts
Digital Zoom	Zoom in/out digitally by PiP (Picture-in-Picture)
Camera Tree	Drag and drop video source from camera tree into display layout
Manual Recording	Instant recording upon mouse click
Event Panel	Display event status upon alarm or upon connection loss or recovery between server and client or when the allocated disk space is full
Two-way audio	Audio sound from and to all the audio supported devices

• PTZ

Control	Pan, tilt and zoom controls; speed control; both buttons and overlay controls
Preset Points and Tours	Create preset points; create auto tours between preset points; Activate NVR preset points or auto tours between preset points
Number of Preset Points	32
Joystick	USB based joystick supported
Default Protocol	URL command

• Recording

Scheduled Recording	Record video with user defined schedule
Event Recording	Record video when the alarm event is triggered, including the pre-event buffered video clip
Bufferless Recording	Event recording without pre-event buffered video clip; no streaming in normal mode; saves bandwidth
Manual Recording	Instant recording upon mouse click
Dual Stream Management	Recording of stream 1 or stream 2 of KCM/TCM/TCD series dual stream devices
Recording Frame Rate	Max 1920 fps total; Max 30 fps per camera
Maximum Recording Throughput	320Mbps

• Storage

Interface	Serial ATA
HDD Bay	Maximum 6 disks (disks not included)
RAID Level	Raid 0, 1, 5, 10

• Search & Playback

Time Based Video Search	Search video recordings by time, channel or bookmark
Event Based Video Search	Search alarm triggered video recordings
Activity and Status Log Search	Search for log of video loss/recovery, network disconnect/reconnect, alarm events, user activity; export of all logs
Playback Control	Forward and backward playback with speeds 1x-500x; pause; stop
Synchronized Playback	4 channels
Manual Snapshot	Create snapshot from playback for export
Digital Zoom	Zoom in/out digitally by PiP (Picture-in-Picture)
Video Cropping	Crop a short video clip from long recording file and save it as an independent file
Video Export	Export video clips in AVI or RAW format; text overlay supported

• Event Management

Event Trigger	Video motion detection; External device through digital input; Video loss and recovery; Network loss and recovery
Event Response	Record video; Play alert beep; Activate external device through digital output; Upload snapshot to FTP server; E-mail notification with snapshots; Event logging; Go to PTZ preset point; Pop-up instant playback

• System

Permission Control	Unlimited number of users, multi-level permission, camera group permission for different users
Data Backup	By external DVD drive (optional)
Operating System	Embedded Linux
System Status Monitor	Real time status reports on remote browser
Language	Multi-language support

• Remote Access

PC Web Browser	Microsoft Internet Explorer 8.0 or 9.0 with live view, PTZ, playback, setup
Mobile Client Program	Mobile device application (MobileGo!) supporting live view, NVR layouts, PTZ control, event or time based search and playback. Supported devices: iPhone, iPad, iPod

• Hardware

Dimensions (W x H x D)	481.4 mm x 88 mm x 562 mm (19" x 3.5" x 22.1"); Rack-mountable (2U)
Weight	11.2 kg (24.64 lb) without HDD
Operating Temperature	0 °C~ 40 °C(32 °F ~ 104 °F)
Operating Humidity	10% ~ 85% RH
Power Source / Consumption	110V~220V AC 50/60Hz / 350 W
Approvals	CE, FCC (Part 15B Class A), LVD
USB	USB 2.0, 6 ports
Ethernet Port	2, Ethernet (1000 Base-T), RJ-45 connector

• System Requirements*

Remote Client PC	1-16 channels: Intel Core 2 Quad 2.66 GHz, 32/64-bit, 4GB RAM; 17-64 channels: Intel Core i7-920 2.67 GHz 64-bit, 6GB RAM
Client PC Operating System	32/64 bit: Windows 7 (all versions), Windows Server 2008 (all versions), Windows Vista (all versions), Windows Server 2003 (all versions), Windows XP (all versions)
Browser	Microsoft Internet Explorer 8.0 or 9.0

• Integration

Unified Solution	Fully compatible with ACTi cameras, encoders and CMS v2.0
Camera Integration	Open platform

* These specifications are based on following camera settings: Scenario 1: 1280x1024, 3Mbps, 18fps, MPEG-4; Scenario 2: 1280x1024, 1.5Mbps, 18fps, H.264.
In case of high number of channels, you may use "Decode I" mode on live view. For more details about system requirements, please refer to Project Planner on www.acti.com