

# LC-7228

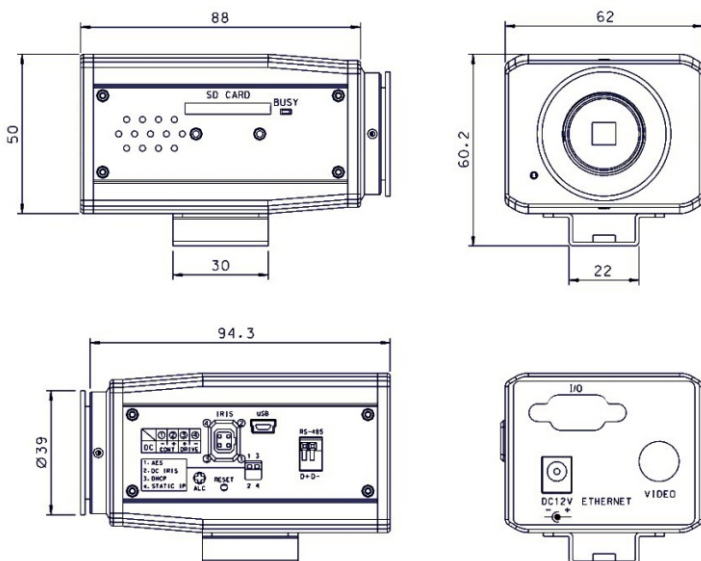
## Simultaneous H.264 & MJPEG stream IP Camera

The newly designed LC-7228 can provide simultaneous video stream in both H.264 & MJPEG. This IP camera not only supports the 30 fps frame rate, motion detection, two-way audio, a built-in microphone, and pre- & post-alarms, it also provides four comprehensive and advanced user-friendly PnP operations, and captures the alarm and scheduled recordings by using an SD card.

This new generation H.264 network camera offers a more advanced digitalized image technology to thoroughly update your surveillance capabilities.



### Dimensions



### Features

- 1/3" SONY Super HAD CCD.
- Simultaneous H.264 & MJPEG video stream.
- Supports two-way audio.
- Supports auto-iris & changeable lens.
- Supports automatic white balance (AWB), automatic exposure (AE), BLC, privacy mask, speed shutter, and mirror.
- Supports advanced motion detection in 96 independent zones and at 5 sensitivity levels.
- Supports the pre-alarm & post-alarm functions.
- Comprehensive Plug & Play features.
  - The PnP IP address: supports UPnP protocol.
  - The PnP configuration: USB interface for basic network setup.
  - PnP recording: a built-in SD card for alarm and scheduled recording.
  - PnP video codec.

## SPECIFICATIONS

### Video

- CCD sensor : 1/3" Sony Super HAD CCD.
- System : NTSC / PAL.
- Lens : C/CS mount.
- Auto Iris type : DC-iris.
- AWB range : 2500K ~ 9500K.
- AES : 1/60 (PAL 1/50) ~ 1/100,000 sec.
- Min. Illumination : 0.5 lux @ F1.2.

### Image

- Compression : Simultaneous MJPEG & H.264.
- Resolution : 4CIF / 2CIF / CIF.
- Frame rate : 30 (25) / 24 / 15, 5 fps, adjustable.
- Picture size (quality) :  
4~64KB and 64Kbps ~ 4Mbps (Bit rate).
- Configurations : Max AGC, Contrast, Brightness, Sharpness, Saturation, AWB, BLC, Flickerless, Mirror.
- Motion detection : Motion Detection (96 zones, 5 levels).
- High speed shutter : 1/1000 sec.
- Privacy masking : 3 Areas.
- Time stamp : Time / Date / Title.

### Audio

- Two-way audio (Full duplex) 8 kHz sample rate
  - Input: Built-in microphone.
  - Output: D-SUB(Connect PA system or active speaker with a built-in amplifier).

### Network

- Interface : Ethernet (RJ-45 wired, 10/100 base-TX), MDIX support.
- Protocols : TCP/IP, DHCP, HTTP, ICMP, UPnP, ARP, DNS, DDNS, PPPoE, FTP<sup>+</sup>, SMTP<sup>+</sup>.
- Throughput : Max. 1.2 MB/sec.

### Software

- Web browser - Microsoft IE 6.0 or above with .net framework.
- PC - Free bundle IP-SURVEILLANCE supports 16CH recording.
- Development tools - ActiveX / HTTP-API / SDK.
- Security - Multiple level / Multiple users.

### Connectors

- Video output : 1.0 Vpp, 75 ohm, composite, negative, BNC x 1.
- D-SUB 9 Pin : Audio output / Alarm input / Alarm output / RS-232.
- Push-in connector : RS-485.
- SD card : Alarm and Scheduled recording / update.
- USB : 1.1 Slave for PnP configuration and update.
- Reset : Factory default.

### Others

- LED indicator : Network indicator / Warning.
- Firmware update - Upgrade via SD, USB, HTTP or FTP.
- Power requirement : DC12V (4W).
- Operating temperature : 0°C ~ 50°C.
- Dimensions : 62 (W) x 50 (H) x 95 (D) mm.
- Approvals : FCC, CE, RoHS.
- Accessories :
  - Power adapter x 1.
  - User manual x 1.
  - IP-SURVEILLANCE software x 1.
  - USB wire x 1.

